

TECHNICAL DATA SHEET

“Intus 50” ZD9221/2

Ultra High Resolution True Day/Night Night Vision Cameras



ZD9221



ZD9222



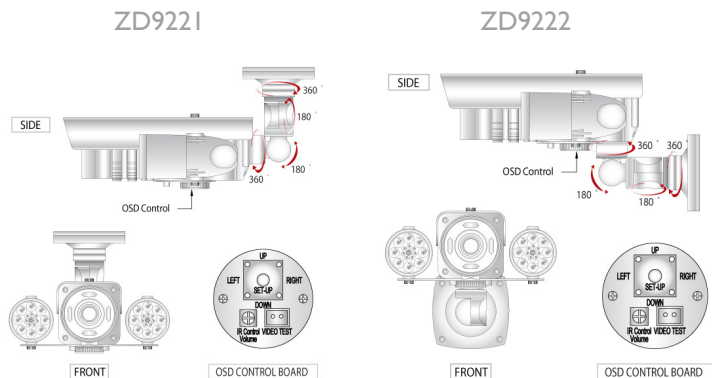
INTUS/JB

KEY FEATURES

- 1/3” Sony Super HAD CCD
- Ultra High Resolution, 600 TVL
- Impact Resistant Housing
- Sunshield and Heater
- Mechanical IR Cut-Filter
- 2D/3D Digital Noise Reduction
- IR Illuminators Fitted on Either Sides
- Built-in 70 IR LEDs with CDS Sensor
- Up To 50 Metres Illumination Range*
- Super Dynamic Range (SSDR)
- Selectable Gain Control
- Digital Image Stabiliser DIS
- Selectable White Balance
- O.S.D. Menu
- Motion Detection
- Privacy Function
- External Control Rings for Easy Focus & Distance Adjustment
- Wall / Ceiling Mount or Soffit / Wall Mount Bracket
- IP66 Rated
- Dual Voltage

ORDERING INFORMATION

- ZD9221 Night Vision Camera with 9-22mm DC AI VF Lens, Soffit/Wall Mount
- ZD9222 Night Vision Camera with 9-22mm DC AI VF Lens, Wall Mount
- INTUS/JB Junction Box



TECHNICAL DATA SHEET

TECHNICAL SPECIFICATION

Model Number	ZD9221	ZD9222
Image Sensor	1/3" Sony Super HAD CCD	
Horizontal Resolution	600 TVL	
Sensitivity (F1.2)	0.15 Lux (Col) 0.0002 Lux (with Sens-up ON, x512), 0 Lux with IR LEDs On	
Lens	9-22mm DC AI Varifocal	
Angle Of View	40° ~ 16°	
Effective Pixels (H x V)	752 x 582	
Electronic Shutter Speed	1/50~1/120,000 Sec	
Scanning System	2:1 Interlace	
Synchronisation	INT/LL Selectable	
Frequency	Horizontal: 15.625KHz Vertical: 50.00Hz	
Video Output	1.0Vp-p~75Ω	
S/N Ratio	>52dB (AGC Off)	
Day / Night	AUTO / BW / COLOUR / EXT (ICR)	
O.S.D.	Yes, Built-In	
Gain Control	LOW / HIGH / OFF, Selectable	
White Balance	ATW / AWC / MANUAL / INDOOR / OUTDOOR	
Back Light Compensation	BLC / HLC / OFF	
2D/3D DNR	ON / OFF (Level Adjustable)	
SSDR (Digital Wide Dynamic Range)	ON / OFF (Level Adjustable)	
Sens-Up	AUTO / OFF (Selectable x2 ~ x512)	
Sharpness	ON / OFF (Level Adjustment)	
Privacy Function	ON / OFF (12 Programmable Zones)	
Motion Detection	ON / OFF (8 Programmable Zones)	
Digital Zoom	ON / OFF (x1 ~ x16)	
DIS	ON / OFF	
Iris Control	DC / VIDEO	
IP Rating	IP66	
IR Illumination Range	50 Metres	
IR Beam Angle	60°	
Operating Conditions	Temperature: -20°C ~ +50°C Humidity: 30 ~ 90% RH	
Power Supply	DC 12V (±10%) / AC 24V (±10%)	
Power Consumption	CDS ON: 1.5A Max	
Dimensions (W x H x D)	195 x 155 x 260 mm	
Weight	2.3 Kg	

Features and specifications are subject to change for further improvement without any notice

* Important Note - The illumination range assumes ideal conditions