

## TECHNICAL DATA SHEET

# ZD28 I2IR

Ultra High Resolution True Day/Night, Night Vision Camera



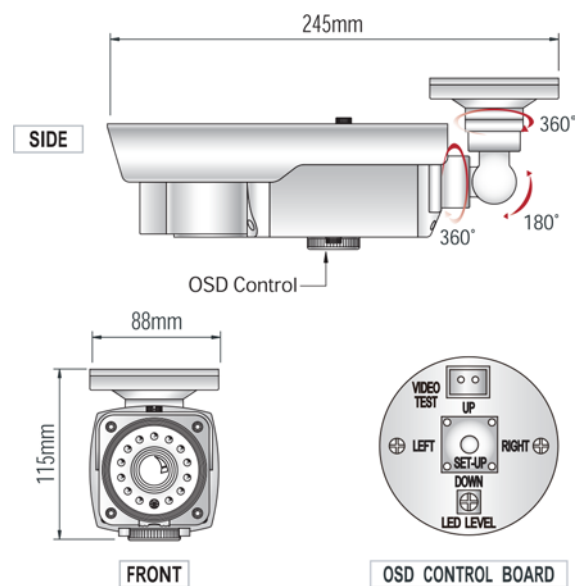
### KEY FEATURES

- 1/3" Sony Super HAD CCD
- Ultra High Resolution, 600 TVL
- Impact Resistant Housing
- Sunshield and Heater
- Mechanical IR Cut-Filter
- 2D/3D Digital Noise Reduction
- Built-in 42 IR LEDs with CDS Sensor
- Up to 30 Metres Illumination Range\*
- Super Dynamic Range (SSDR)
- Digital Image Stabiliser (DIS)
- Sens-Up
- Selectable Gain Control
- Selectable White Balance
- O.S.D. Menu
- Motion Detection
- Privacy Masking
- External Control Rings for Easy Focus & Distance Adjustment
- Soffit / Wall Mountable Bracket with Base
- IP66 Rated
- Dual Voltage

### ORDERING INFORMATION

ZD28 I2IR Night Vision 600TVL Camera with 2.8-12mm DC AI VF Lens, Soffit/Wall Mount

INTUS/JB Junction Box



## TECHNICAL DATA SHEET

### TECHNICAL SPECIFICATION

Model Number	ZD2812IR
Image Sensor	1/3" Sony Super HAD CCD
Horizontal Resolution	600 TVL (Col), 700TVL (Mono)
Sensitivity (F1.2)	0.15 Lux (Col) 0.0002 Lux (with Sens-up ON, x512), 0 Lux with IR LEDs On
Lens	2.8-12mm DC AI Varifocal
Angle Of View	92° ~ 39°
Effective Pixels (H x V)	752 x 582
Electronic Shutter Speed	1/50~1/120,000 Sec
Scanning System	2:1 Interlace
Synchronisation	Internal
Frequency	Horizontal: 15.625KHz Vertical: 50.00Hz
Video Output	1.0Vp-p~75Ω
S/N Ratio	>52dB (AGC Off)
Day / Night	AUTO / BW / COLOUR / EXT (ICR)
O.S.D.	Yes, Built-In
Gain Control	LOW / HIGH / OFF, Selectable
White Balance	ATW / OUTDOOR / INDOOR / MANUAL / AWC (1,700°K~11000°K)
Back Light Compensation	BLC / HLC / OFF
2D/3D DNR	ON / OFF (Level Adjustable)
SSDR (Digital Wide Dynamic Range)	ON / OFF (Level Adjustable)
Sens-Up	AUTO / OFF (Selectable x2 ~ x512)
Sharpness	ON / OFF (Level Adjustment)
Digital Zoom	ON / OFF (x1 ~ x16)
Motion Detection	ON / OFF (8 Programmable Zones)
Privacy Function	ON / OFF (12 Programmable Zones)
DIS	ON / OFF
Flip / Mirror	ON / OFF / V-Rev / H-Rev
Iris Control	DC / VIDEO
IP Rating	IP66
IR Illumination Range	30 Metres
IR Beam Angle	60°
Operating Conditions	Temperature: -20°C ~ +50°C Humidity: 30 ~ 90% RH
Power Supply	DC 12V / AC 24V
Power Consumption	CDS ON: 1A Max
Dimensions (W x H x D)	88 x 115 x 245 mm
Weight	1600g

Features and specifications are subject to change for further improvement without any notice

\* Important Note - The illumination range assumes ideal conditions