

Two-wire video entry system with self-learning.  
Power supply included.



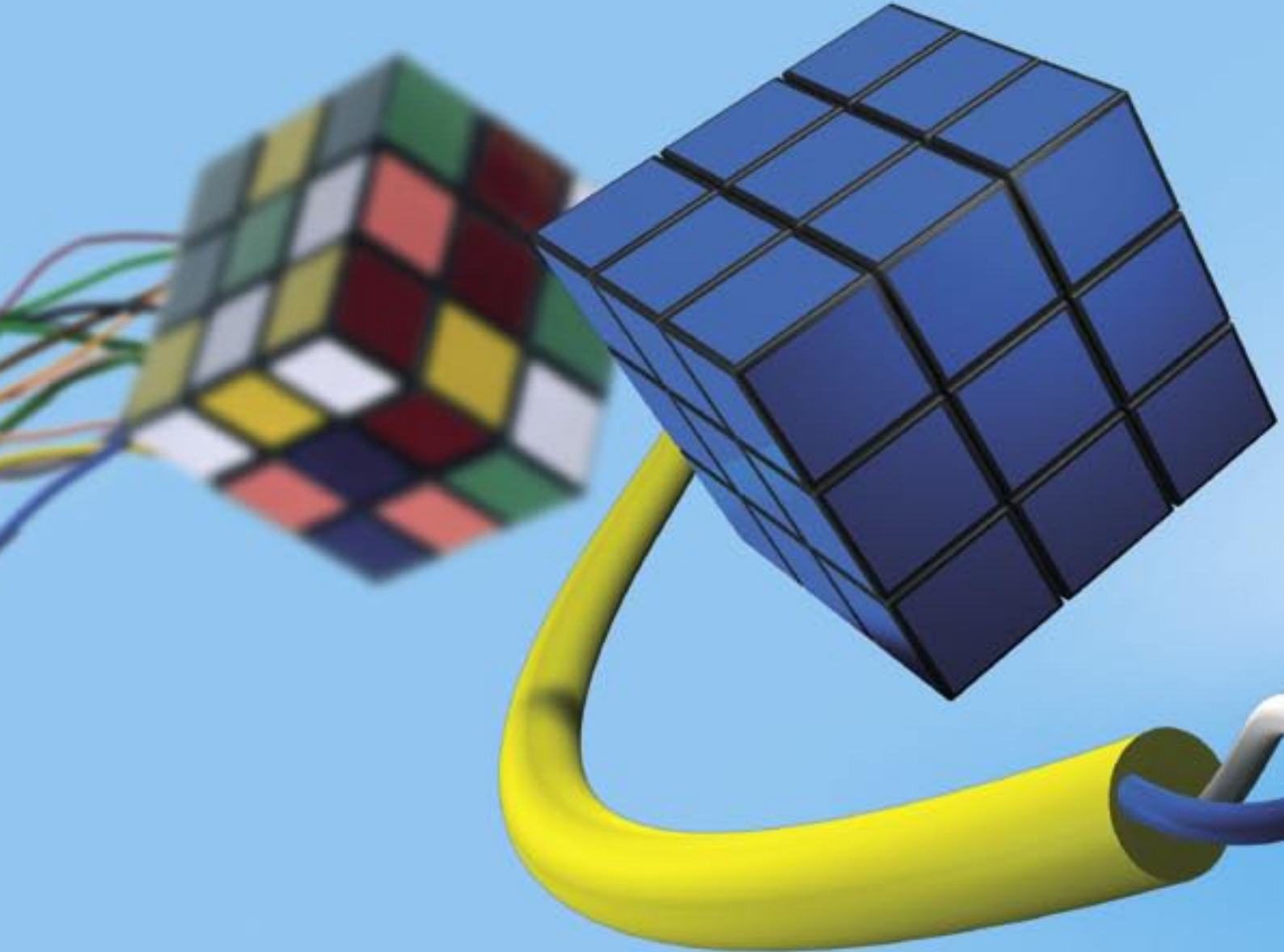
**Video entry system X1**

**bpt**  
technological sign

# Introducing x1, the 2-wire video entry control system



bpt *TECHNOLOGY*



# The advantages of a highly innovative system.

X1 inherits a great technological tradition and an astounding wealth of features.

**Just two nonpolarized wires, power supply included,**

just one advantage after another:

installation is simpler,

quicker and more immediate.

**X1: ANOTHER STEP FORWARDS TOWARDS PERFECTION**



# Incredibly advanced, simpler than ever

## Technology



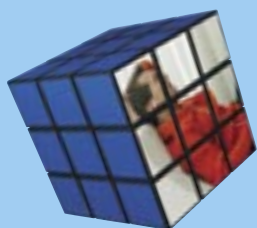
### **System capacity**

X1 manages up to 4 entrances, 100 calls and up to 8 receivers activated by the same call.



### **Multi-riser distribution**

With X1, the signal can be distributed over a number of lines, to as many as 100 receivers, using just one power supply unit.



### **Self-learning programming**

With X1, system programming is quick and immediate with no configurers or dip switches to contend with.



### **B&W and colour video signal**

X1 provides top audio-video quality and can handle B&W and COLOUR signals without distinction. Again with just 2 wires, power supply included.

## Intercom feature

With X1, you can create one or more intercom groups of receivers without making alterations to the riser line, by simply adding a special selector. Allows management of several 8-intercom groups.



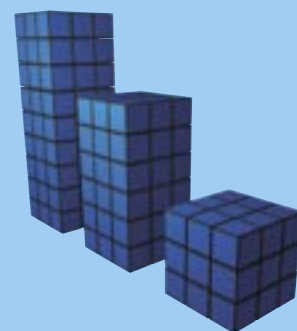
## Full extras

- Doorbell
- Door lock release feature
- Call waiting notification
- Door lock release time control
- Secrecy of speech
- Self-connection to entry panels
- System busy warning



## X1-300 expandability

X1 can expand its capacities to cater for multi-block residential complexes, with the aid of an XA/300LR control unit.



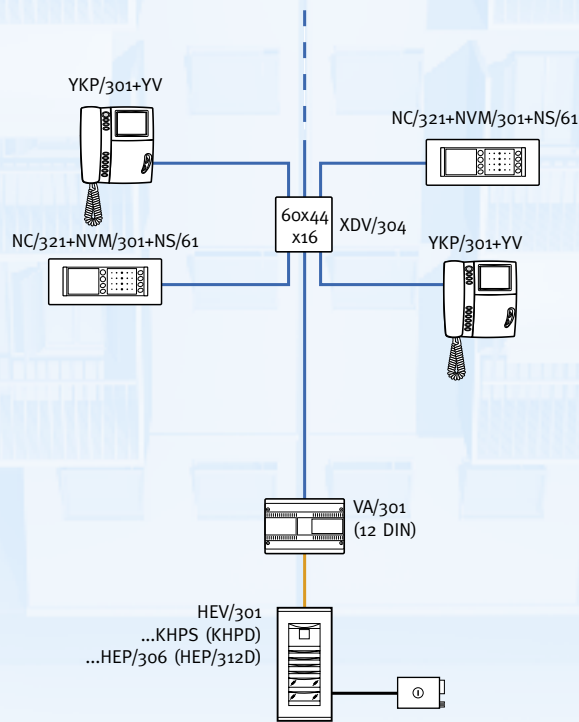
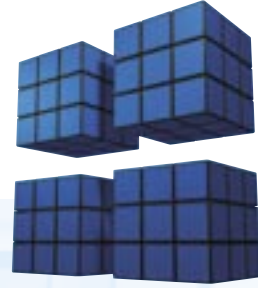
## Expandable kits

The X1 system kits can be employed to expand the video entry control installation by simply adding the necessary pushbutton entry panels and receivers.



# X1 system capacity

Video entry installation with 1 entry panel with traditional buttons and one video riser.



— VCM/1D  
— VCM/2D

System composition	
Product	Quantity
YV	1-n
YKP/301	1-n
NVM/301	1-n
NC/321	1-n
NS/61	1-n
XDV/300A	0-2
XDV/304	1-n
VA/301	1
HEV/301	1
KHPS	0-1
HEP/306	0-n
KHPD	0-n
HEP/312D	0-n

#### Maximum system expansion

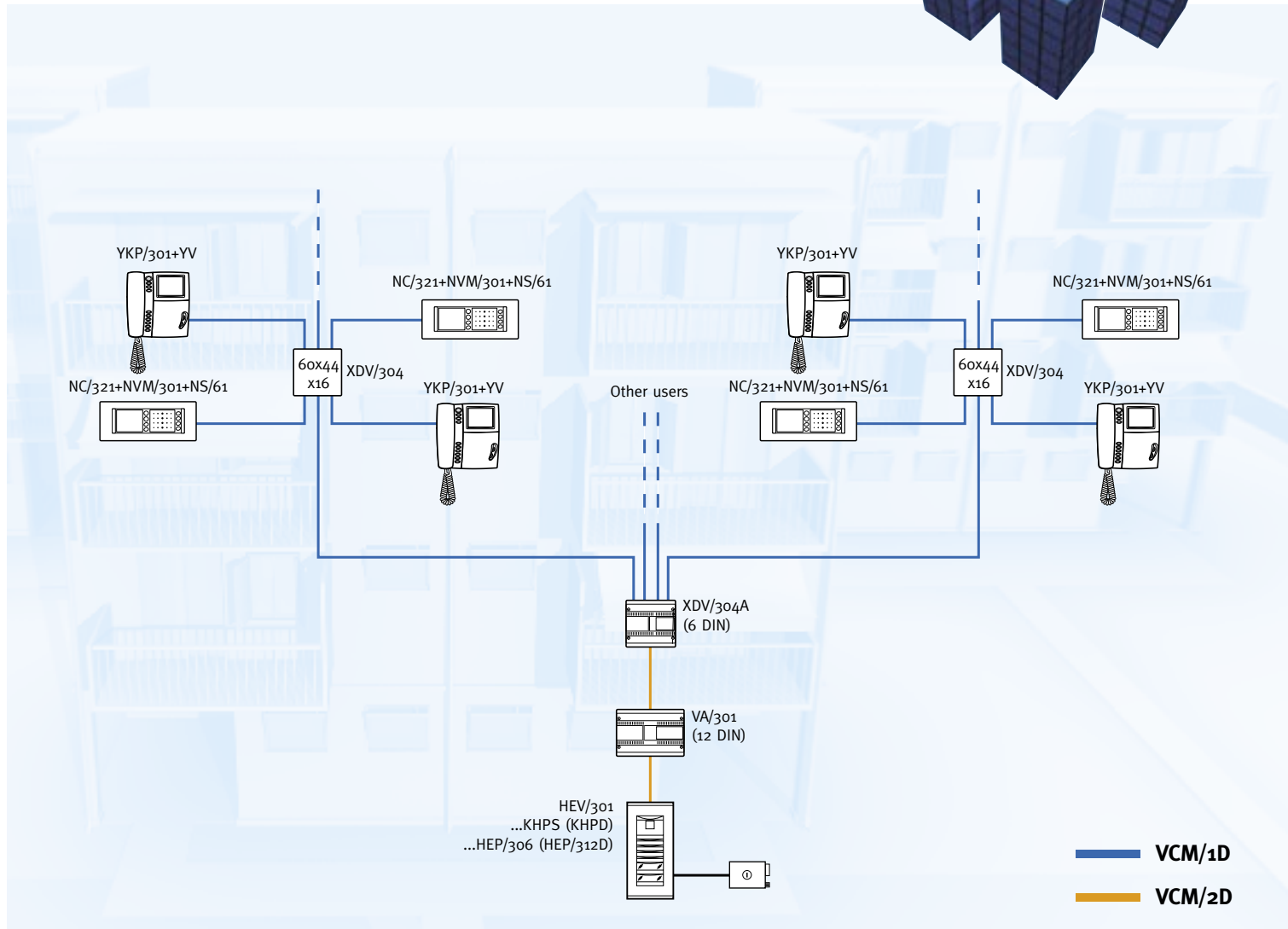
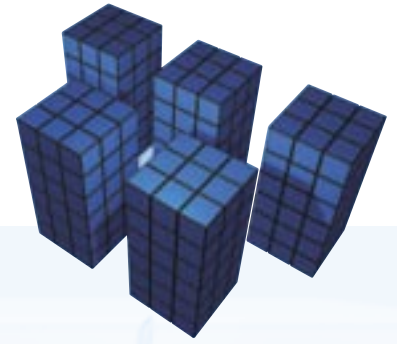
100 Receivers  
4 Entry panels

#### Maximum distances VCM/1D cable

100m Maximum distance between secondary entry panel and last receiver  
600m Total cable run between secondary entry panel and receivers

# Distribution over a number of risers

Video entry installation with 1 entry panel with traditional buttons and 4 video risers.



System composition	
Article	Quantity
YV	1-n
YKP/301	1-n
NVM/301	1-n
NC/321	1-n
NS/61	1-n
XDV/300A	1-2
XDV/304	1-n
XDV/304A	1
VAS/100	1
VA/301	1
HEV/301	1
KHPS	0-1
HEP/306	0-n
KHPD	0-n
HEP/312D	0-n

## Distribution over a number of risers

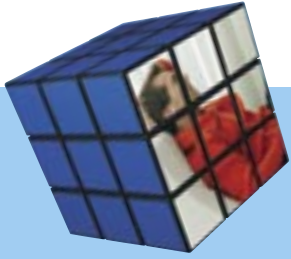
If the signal has to be distributed over a number of risers, you need to use the amplified distributor XDV/304A (max. 30 XDV/304 + XDV/304A per system) expandable as illustrated.

# Self-learning programming





# X1 is a quick learner and never makes mistakes

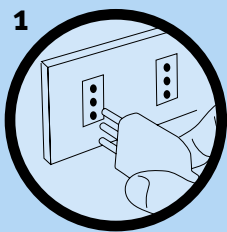


Programming of calls from the entry panel to receivers, carried out with the bpt self-learning system, is quick and error-proof. This operation, which requires no setting or configuring of dip switches, configurers or jumpers, is carried out with the

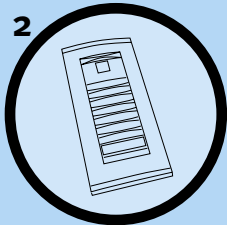
system working by sending the call from the entry panel to the relevant receiver directly.

## Entry panel and call programming process:

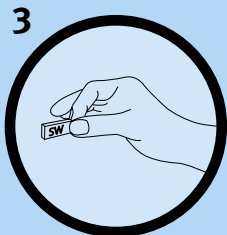
Inside each audio-video or audio-only entry panel, there are two programming jumpers:  
**SW1 = Entry panel detection - SW2 = Call programming**



1 Switch on the system;



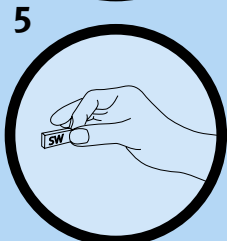
2 Go to the last entry panel, i.e. the last of the series in installations with more than one entrance, or the only entry panel if you have an installation with just one entrance.



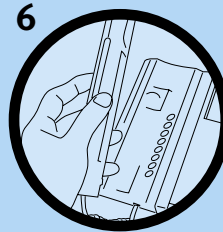
3 Remove jumper SW1;



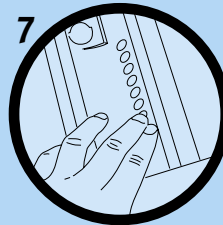
4 Wait for audible confirmation;  
Refit jumper SW1;



5 Remove jumper SW2;



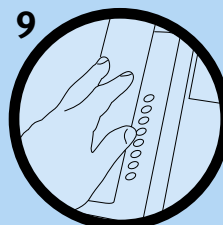
6 Lift the receiver on the first internal unit you want to program;



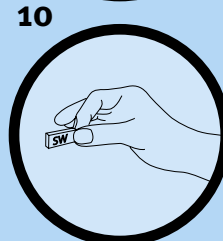
7 Press the door lock release and auxiliary buttons on the unit at the same time, holding them down until you receive the audible feedback confirming that the operation is complete and the audio connection to the entry panel is activated.



8 On the entry panel, press the call button you want to associate with the receiver.

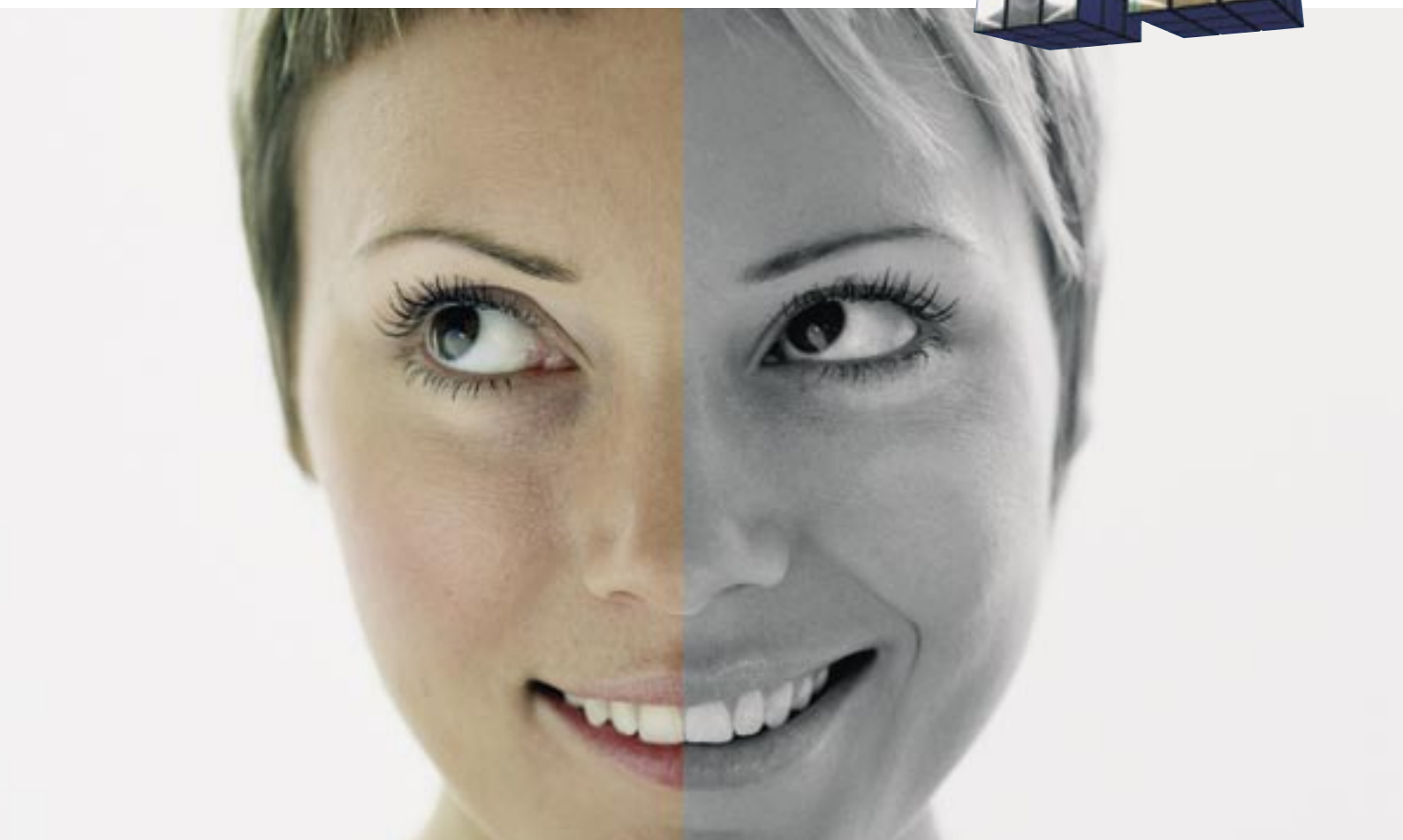


9 Hang up;  
Repeat the procedure from point 7 on all remaining receivers;



10 Refit jumper SW2 to exit programming.

# B&W and colour video signal



X1 provides high resolution for all colours.  
Black and white included.

X1 provides top audio-video quality and can handle B&W and colour signals without distinction. Again with just 2 wires, power supply included.



# Intercom feature



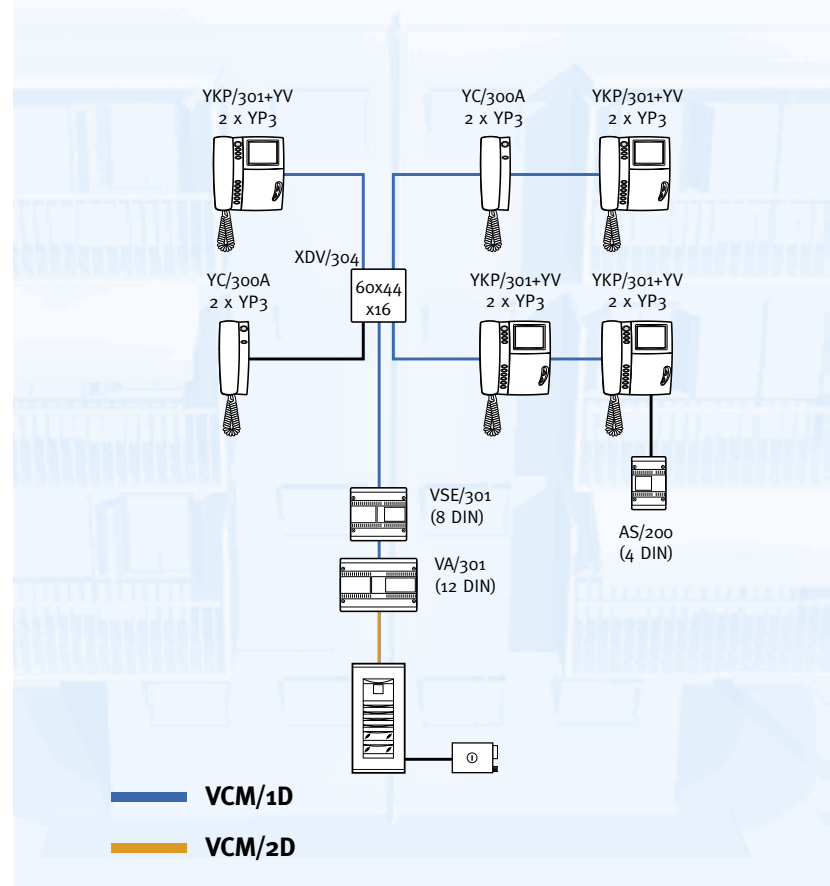
## X1 lets everyone have their say and can keep a secret

With the special 8DIN VSE/301 selector with built-in power supply, you can create one or more groups of intercom receivers without making alterations to the riser line and without making the rest of the system busy. With the LYNEA-series receivers and the new OPHERA monitor, can you manage groups of 6 or 8 intercom receivers.

### Programming for intercom receivers

- A - Set the VSE/301 selector for intercom units to programming mode by removing jumper SW1;
- B - Go to the receiver you want to program and press the call button you want to call it with;
- C - Repeat the procedure in point B for all the other receivers;
- D - Exit programming by refitting jumper SW1 on the VSE/301 unit.

*NOTE: program calls to the receivers before programming the VSE/301 unit.*



# X1 comes with full extras

the system gives you all the standard features without adding accessories and without altering the riser.



## X1 gives you the following features without adding accessories:

Secrecy of speech	Doorbell
Door lock release	Call waiting notification
Auxiliary services	Door lock release time control
Self-connection to entry panels	Busy system warning

### Self-connection to entry panels

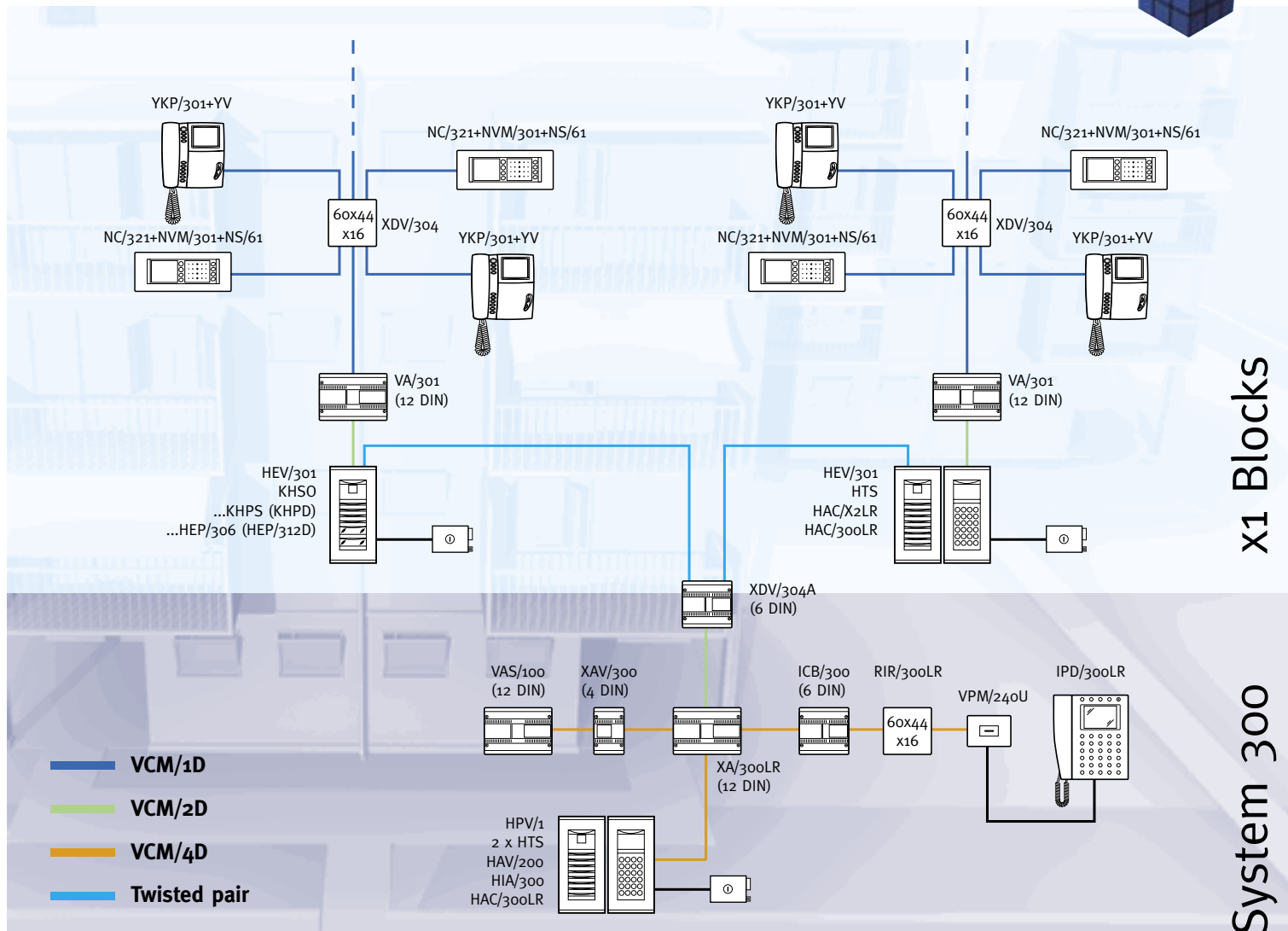
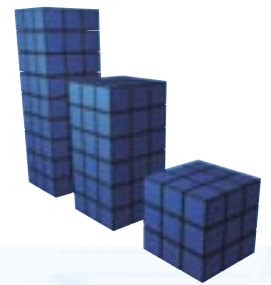
Since 4 video entry panels can be connected in series, you can use the monitor's self-connect feature to monitor all the entrances connected, switching between them in sequence, and activate the solenoid door lock release command and auxiliary services corresponding to the entrance selected each time, assuring unbeatable security

### Doorbell

With no need for special bells or additional wires, you can have a different doorbell note to distinguish it from the entry panel call.

# System expansion

Video entry installation with 1 main digital entry panel, 1 porter switchboard, 1 traditional entry panel, and 1 digital entry panel for 2 x1 video entry control risers - intercommunicating between users on the same riser is possible by adapting the system accordingly.



X1 Blocks

System 300

x1 system composition	
Article	Quantity
YV	1-n
YKP/301	1-n
NVM/301	1-n
NC/321	1-n
NS/61	1-n
XDV/304	1-n
XDV/300A	1-2
VA/301	1
HEV/301	1
KHSO	1
KHPS	0-n
HEP/306	0-n

300 system composition	
Article	Quantity
XDV/304A	1
XA/300LR	1
XAV/300	1
ICB/300	1
RIR/300LR	1
VAS/100	1
VPM/240U	1
IPD/300LR	1
HPV/1	1
HTS	2
HAV/200	1
HIA/300	1
HAC/300LR	1

x1 system composition	
Article	Quantity
YV	1-n
YKP/301	1-n
NVM/301	1-n
NC/321	1-n
NS/61	1-n
XDV/304	1-n
XDV/300A	1-2
VA/301	1
HEV/301	1
HTS	1
HAC/X2LR	1
HAC/300LR	1

# Receivers



# Aesthetic lines

For item composition options, refer to the X2 section of the 2005 general catalogue.



## Nova:

the exclusive flush-mounted model that delights with its modern, no-fuss style and small size. It fits in standard 3- or 6-module boxes.

Available from July.



## Ophera:

the new recessed hands-free intercom monitor with 3.5" colour display.

Available from September.



## Lynea:

it impresses with its extreme elegance and soft lines in a streamlined housing.

Available from June.

# Entry panels





# Aesthetic lines

For item codes and composition options, refer to the X2 section of the 2005 general catalogue.



## Targha:

entry panel offering the utmost modularity and functionality. Produced in anodized aluminium, it is easy to install and comes in both flush- and surface-mounted versions. With its small size and colour options (steel and Greyhound light grey), Targha has no trouble blending in with the style of any building.



## Digital Targha:

digital entry panel offering the utmost performance in the smallest possible package. It is an optimal solution for installations with a high number of users and can be flush- or surface mounted. The innovative backlit digital pushbutton panel and graphic LCD display help callers locate the user easily.



## Targha VR:

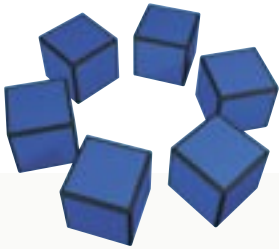
very hard-wearing tamperproof entry panel thanks to a stainless steel and polycarbonate front plate 4 mm thick. Its streamlined looks and extremely attractive design make it suitable for any architectural setting.



## Targha OT:

elegant and refined, the brass entry panel is the front plate that best suits highly prestigious, refined dwellings. The entry panel is mounted flush and units can also be teamed together side by side.


# Bpt single-house kits



# Matchless simplicity, limitless expandability.

With the X1 kits, it doesn't matter whether you want to install an audio-video entry control system in a detached house or a multi-flat complex. The kits, made up of a Targha-series entry panel, VA/301 power supply unit and Lynea- or Nova-series receivers, allow for system expansion by just adding as many pushbutton panels and receivers as the system requires.

**VSETYVF-1/X1** **6262-0500**



**LYNEA YV-SERIES BLACK AND WHITE MONITOR VIDEO ENTRY CONTROL KIT**

- YV monitor module
- YKP/301 wall mounting
- HEV/301ST recessed entry panel
- VA301 power supply unit

**VSETYVC-1/X1** **6262-0600**



**LYNEA YV-SERIES COLOUR MONITOR VIDEO ENTRY CONTROL KIT**

- YVC monitor module
- YKP/301 wall mounting
- HEVC/301ST recessed entry panel
- VA301 power supply unit

**NVSET1-X1/HAVC BB** **6262-0700**



**NOVA-SERIES COLOUR MONITOR VIDEO ENTRY CONTROL KIT**

- twin-channel audio module NC/321 BB
- monitor module NVM/301 BB
- HEVC/301ST recessed entry panel
- 6-module pattress box NSI/6M
- frame NS/61
- white thermoplastic cover plate NPT/6V BI
- VA301 power supply unit

**NVSET1-X1/HAVC GR** **6262-0800**



**NOVA-SERIES COLOUR MONITOR VIDEO ENTRY CONTROL KIT**

- twin-channel audio module NC/321 GR
- monitor module NVM/301 GR
- HEVC/301ST recessed entry panel
- 6-module pattress box NSI/6M
- frame NS/61
- grey thermoplastic cover plate NPT/6V GR
- VA301 power supply unit

**NVSET1-X1/HAV BB** **6262-0900**



**NOVA-SERIES BLACK AND WHITE MONITOR VIDEO ENTRY CONTROL KIT**

- twin-channel audio module NC/321 BB
- monitor module NVM/301 BB
- HEV/301ST recessed entry panel
- 6-module pattress box NSI/6M
- frame NS/61
- white thermoplastic cover plate NPT/6V BI
- VA301 power supply unit

**NVSET1-X1/HAV GR** **6262-1000**



**NOVA-SERIES BLACK AND WHITE MONITOR VIDEO ENTRY CONTROL KIT**

- twin-channel audio module NC/321 GR
- monitor module NVM/301 GR
- HEV/301ST recessed entry panel
- 6-module pattress box NSI/6M
- frame NS/61
- grey thermoplastic cover plate NPT/6V GR
- VA301 power supply unit

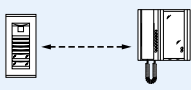
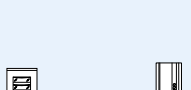
# VCM/1D cable.

## Projected to be linked with the most advanced technology

X1 technology runs along the VCM/1D cable, assuring top system performance. Consisting of 2 twisted, tin-plated 1mm wires, it is unbeatable against disturbance and oxidation.

### Video entry installations

In installations featuring monitors, the required video signal makes the information to be transmitted along the twisted pair more complex to handle than in an audio-only installation. By using the VCM/1D cable, you are assured top system performance, i.e. a total cable run of 600 m and a maximum distance of 100 m from the entry panel furthest away to the last receiver. Any of the twisted pairs given in the table can be used instead of the VCM/1D cable.

VIDEO ENTRY INSTALLATIONS			
	Type of cable between entry panels and receivers	Maximum cable run between entry panels and receivers (**)	Maximum distance between entry panels and last receiver (**)
	VCM/1D - VCM/2D	600 metres	100 metres
	UTP twisted pair category 5(*) + two 1 mm <sup>2</sup> wires	400 metres	30 metres
	Twisted pair + two 1 mm <sup>2</sup> wires	250 metres	30 metres
IMPIANTI CITOFONICI			
	Type of cable between entry panels and receivers	Maximum cable run between entry panels and receivers	Maximum distance between entry panels and last receiver
	Twisted pair	600 metres	100 metres

(\*) The distinguishing feature of UTP category 5 cables is their transmission bandwidth of no less than 100MHz.

(\*\*) For greater distances, contact Bpt's Technical service dept.

### VCM/1D

For transmitting data throughout the installation.



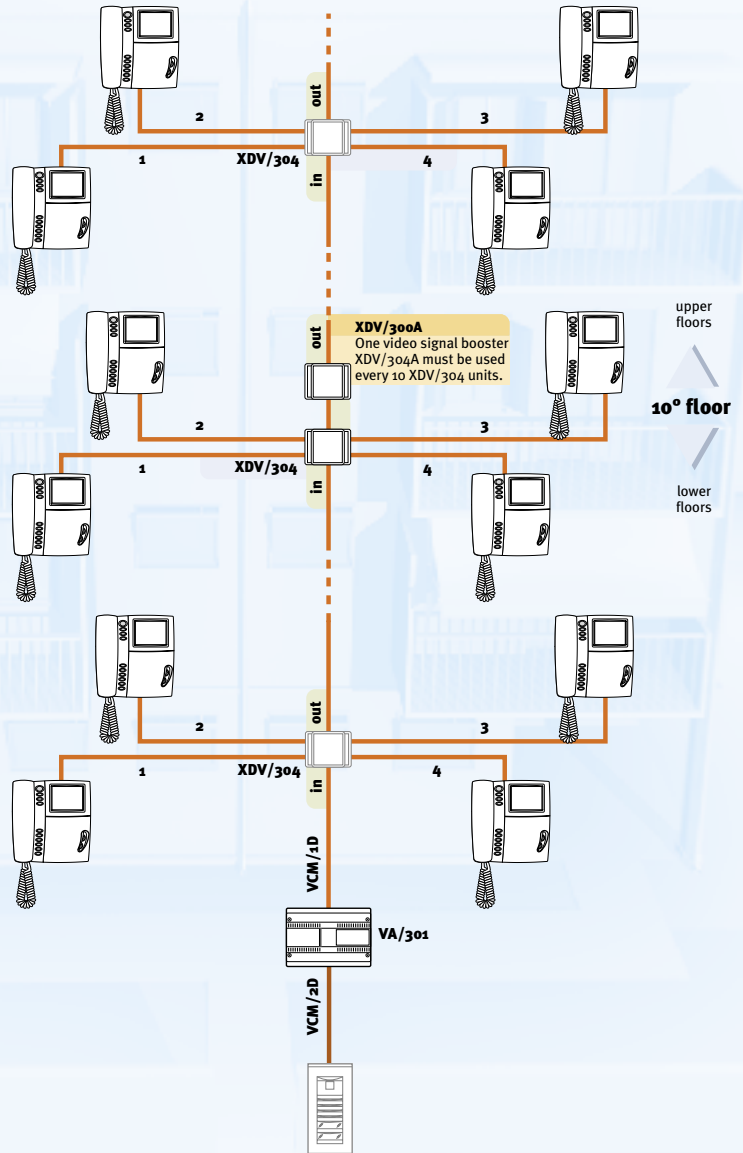
### CONNECTING CABLES

VCM/1D	6282-8000	two 1 mm <sup>2</sup> wires tin-plated in 100 m reels
VCM/1D/500	6282-8100	two 1 mm <sup>2</sup> wires tin-plated in 500 m reels
VCM/2D	6282-3300	2-wire plus twisted pair in 100 m reels
VCM/2D/500	6282-3400	2-wire plus twisted pair in 500 m reels



VCM/1D

# Distribution



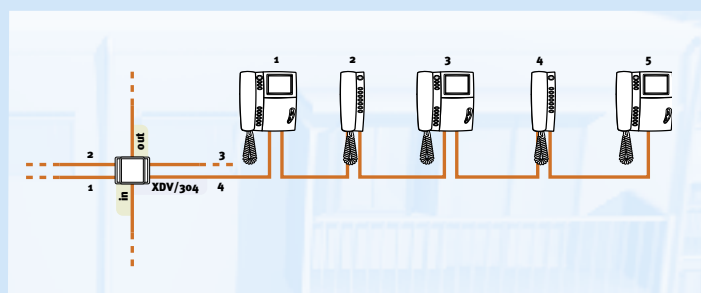
## X1 distribution in parallel

When distributing the twisted pair inside the building, in the case of video entry control or mixed installations, you will need to use the XDV/304 video distributor and, where necessary, the video signal booster XDV/300A, neither of which are powered.

In audio-only installations, cable is distributed freely, without using distributors, which can nonetheless be installed at a later date should you want to turn the audio-only installation into a video entry control installation.

## Serial distribution

Up to 5 receivers can be connected in series, as illustrated. That way, each line branched off from the XDV/304 distributor can meet the most common needs in terms of the number of receivers per flat.



# Product codes

LYNEA SERIES		
YKP/301	6282-7900	handset with monitor wall mounting support for YV and YVC
YV	6210-9200	4,5" black and white monitor module, wall mounting
YVC	6210-9300	3,5" black and white monitor module, wall mounting
YAL	6181-8100	supplementary call loudspeaker
YP3	6181-7900	three push button kit.
YPL	6181-8000	three position call note regulator (privacy, low, high) with two led indicators
YKT/F	6282-5900	table kit for YV+YKP/300, RJ45 ended cable supplied, socket not supplied
NOVA SERIES		
NC/321 GR	6053-1400	twin-channel receiver module, in grey
NC/321 BB	6053-1300	twin-channel receiver module, in white
NVM/301 GR	6215-1200	colour 2" LCD monitor module, in grey
NVM/301 BB	6215-1100	colour 2" LCD monitor module, in white
NS/61	6282-8200	mounting for NVM/301+NC/321
NST/61	6282-8300	table-top mounting for NVM/301+NC/321



YV



YKP/301



NST/61

YKP/301 available in June - NVM/301 available in July

POWER SUPPLIERS		
VA/301	6270-4600	power supplier 230V 50/60Hz, 12 DIN units low profile module
AS/200	6140-4100	power supplier 230V, 15VA, 4 DIN units low profile module
VAS/100.20	6270-3300	power supplier 230V, 60VA, 4 DIN units low profile module
XAS/301	6270-4700	230V additional control unit for signal regeneration



VA/301

VA/301 available in June - XAS/301 available in July

VIDEO DISTRIBUTORS		
XDV/304	6282-1300	video distributor, 4 outputs, miniaturized. Dimensions 60x44x16mm
XDV/300A	6282-2000	video signal booster, miniaturized. Dimensions 60x44x16mm
XDV/304A	6282-5800	video signal booster, amplified, 4 output. 6 DIN units low profile module
SELECTORS		
VSE/301	6274-7400	selector for installations with intercom extensions, 8 DIN units low profile module
RELAY UNITS		
VSL/101	6281-6200	relay unit, 4 DIN units low profile module
VLS/400	6281-5800	relay unit, 4 DIN units low profile module
VLS/300	6282-5400	actuator, 4 DIN units low profile module, X2 bus connection, 2 relays
OTHER COMPONENTS		
AC/300	6181-7600	call adapter
IAV/300	6282-5700	X2 / 4+n interface for audio, 230Vca 50/60Hz
RC/300	6181-7500	call repeater



XDV/304



XDV/304A



XDV/300A

VSE/301 available in June

CONNECTING CABLES		
VCM/1D	6282-8000	two 1 mm <sup>2</sup> wires tin-plated in 100 m reels
VCM/1D/500	6282-8100	two 1 mm <sup>2</sup> wires tin-plated in 500 m reels
VCM/2D	6282-3300	2-wire plus twisted pair in 100 m reels
VCM/2D/500	6282-3400	2-wire plus twisted pair in 500 m reels

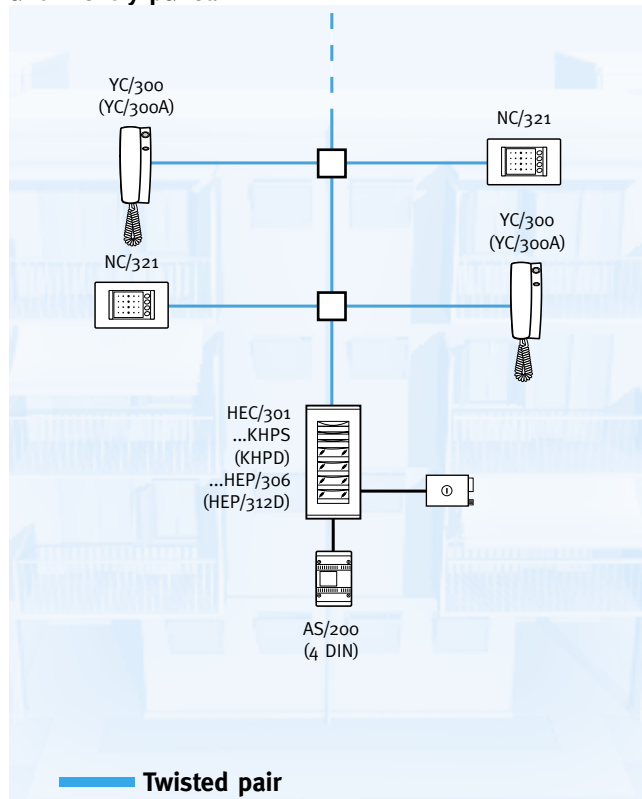


VCM/1D

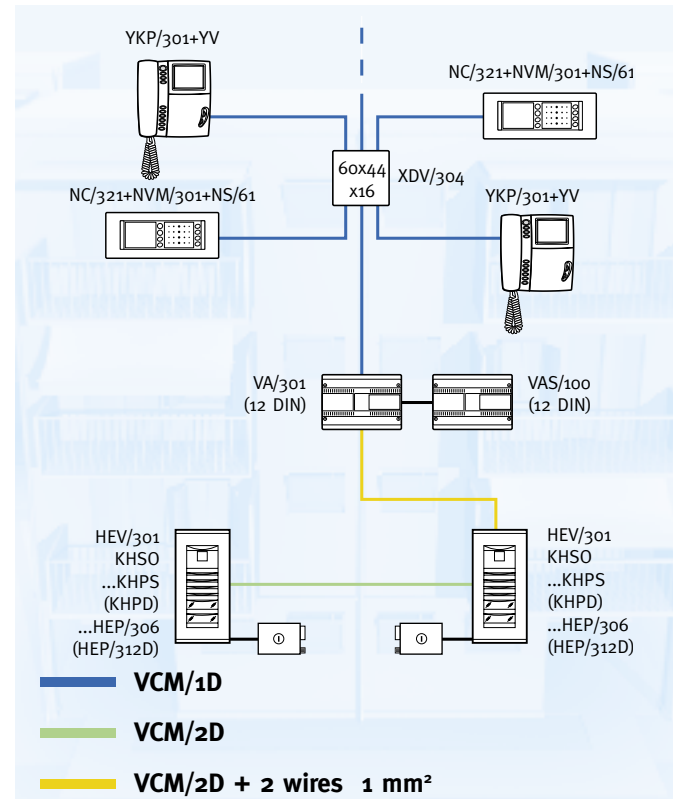
All references in blue are typical of the X1 system.  
The remaining references are the same ones utilized for the X2 system.

# Audio-only and audio-video system diagrams

**Multi-flat audio-only installation with individual receivers featuring handsets and hands-free feature and 1 entry panel.**



**Video entry installation with 2 entry panels with traditional buttons and one video riser.**



AUDIO ENTRY INSTALLATIONS				
	NUMBER OF ENTRY PANELS			
	1	2	3	4
From 1 to 64 handsets with button front plates	n.1 AS/200	n.2 AS/200 or n.1 VAS/100.20	n.3 AS/200 or n.1 VAS/100.20 + n.1 AS/200	n.4 AS/200 or n.2 VAS/100.20

Summary table giving the number of power supply units required based on the number of entry panels and number of receivers.

System composition	
Article	Quantity
YC	1-n
NC/321	1-n
AS/200	1
HEC/301	1
KHPS	0-3
HEP/306	0-n
KHPD	0-n
HEP/312D	0-n

VIDEO ENTRY INSTALLATIONS				
1 VA/301 included	NUMBER OF ENTRY PANELS			
	1	2	3	4
From 1 to 64 monitors with button front plates	n.0	n.1 VAS/100.20	n.1 VAS/100.20	n.2 VAS/100.20

Summary table giving the number of VAS/100.20 power supply units required based on the number of entry panels and number of receivers.

System composition	
Article	Quantity
YV	1-n
YKP/301	1-n
NVM/301	1-n
NC/321	1-n
NS/61	1-n
XDV/300A	1-2
XDV/304	1-n
VAS/100	1
VA/301	1
HEV/301	1
KHSO	2
KHPS	0-2
HEP/306	0-n
KHPD	0-n
HEP/312D	0-n



Bpt supports the research for cancer



**BPT SpA**  
*Administrative office and plant:*  
Via Roma, 41  
30020 Cinto Caomaggiore (VE)  
Tel. +39 0421/241241  
Fax +39 0421/241053

*Head office:*  
Via Stazione, 26  
33079 Sesto al Reghena (PN)  
www.bpt.it  
info@bpt.it

Company subject to the  
management activity  
of BCOMPANY S.p.A.  
Reg. Imp. n. 02266190301

