

### ● Statement

WPB wireless Push Button units apply to the far distance control. It lets you conveniently open the door, even we stay away from the door.



WPB-900

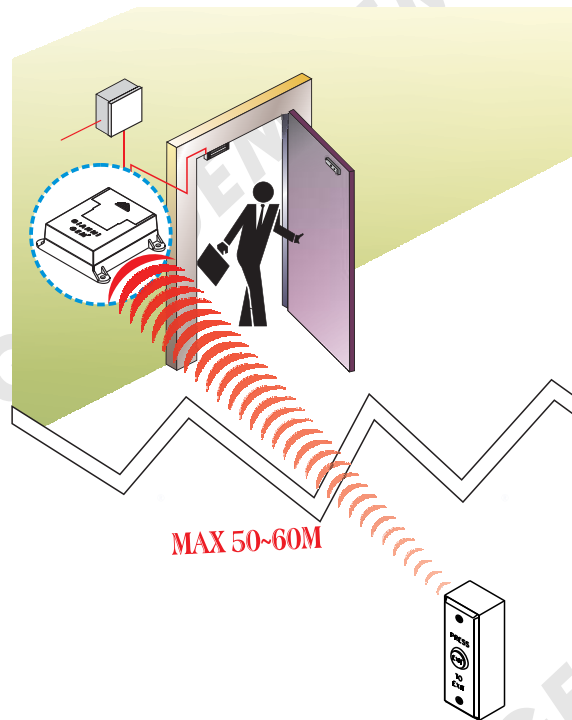


WPB-025JS



WPB-100

### ● Application



### ● Specification

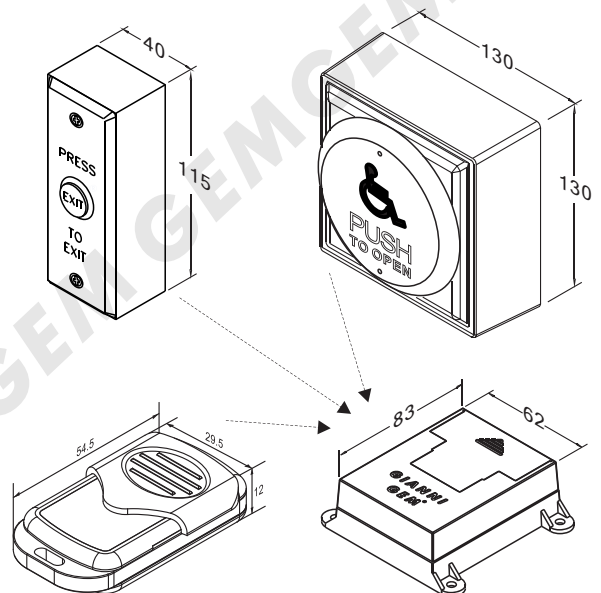
#### Remote Transmitter

1. Operating voltage: 12V battery
2. Current draw: Pull in: 50mA/12 VDC, Holding: 20mA/12 VDC  
Pull in: 70mA/24 VDC, Holding: 40mA/24 VDC
3. Transmitting frequency: 433KHz
4. LED indicator: Judge the remaining power of battery
5. Transmitting distance: Max. 50~60M
6. Embedded modules: Hopping Code IC
7. Battery duration: Max. 13,000 cycles
8. The Lowest voltage: Not lower than 7V
9. Max. applicable of remote controller: 15 pcs

#### RF Hopping Code Controller

1. Operating voltage: 12~24VDC
2. Output contact : SPDT (Com,N.O.,N.C.) rated 3A/120VAC,  
3A/24VDC dry contact
3. Buzzer alarm: Battery voltage is lower than 9.2 VDC
4. LED indicator: Green: Power  
Red: receive & output
5. Relay strike time: 1,3,5,10 seconds
6. Max. applicable of remote transmitter: 15 pcs
7. Dimension: 83(L)\*62(W)\*30(D)mm

### ● Dimensions



Unit:mm

### ● Warranty

The product is warranted against defects in material and workmanship while used in normal service for a period of 1 year from the date of sale to the original client. The GEM policy is one of continual development and improvement; therefore GEM reserves the right to change specifications without notice.

### GIANNI INDUSTRIES, INC.

No.13, Zhongxing Rd., Tucheng Dist.,  
New Taipei City 23678, Taiwan (R.O.C.)  
Tel: +886-2-2267-7986 / Fax: +886-2-2267-9876  
E-mail: inquiry1@gianni.com.tw  
Website: www.gianni.com.tw