

# W96VDV

## External Varifocal Lens Vandal Dome

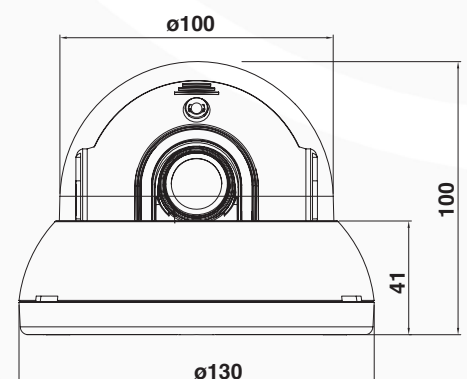
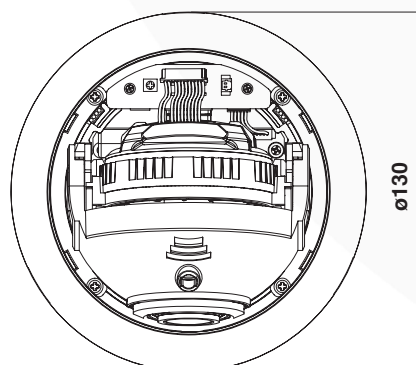


W96VDV

### Key Features

- 1/3" Colour 960H CCD
- 700TVL Resolution
- 2.8-12mm DC Auto Iris Varifocal Lens
- IP67 Compliant
- 3 Axis Movement
- DC12V

### Dimensions (mm)



## Technical Specification

Model Number	W96VDV
Image Sensor	1/3" Colour 960H CCD
Effective Pixels	976 (H) x 582 (V) approx. 570K Pixels (PAL)
Total Pixels	1020 (H) x 596 (V) approx. 610K Pixels (PAL)
Resolution	Colour: 650TVL, B&W: 700TVL
Scanning System	2:1 Interlaced
Minimum Illumination	Colour: 0.01 Lux @F1.2 (Sens Up x256) B&W: 0.001 Lux @F1.2 (Sens Up x256)
Video Output	1.0Vp-p Composite. 75 Ω
S/N Ratio	52dB
Focal Length	f = 2.8mm ~ 12mm
Drive Type	DC Auto Iris
AGC	Low / Middle / High
Sens Up	OFF / Auto (x2 ~ x256)
Backlight Compensation	OFF / BLC / HLC
D-WDR	OFF / INDOOR / OUTDOOR
Motion Detection	4 Zones
Privacy Masking	8 Zones
DIS (Digital Image Stabiliser)	OFF / ON
Day & Night	Auto (AGC) / Day / Night / Ext
White Balance	ATW / AWB / AWC - > SET / Manual (1,800K ~ 11,000K)
3DNR (2D or 3D)	1 ~ 200 Level Selectable
Mirror	H-Rev / V-Rev / Rotate / PIP
D-Zoom	x32
Smart DZoom (Motion Detection)	OFF / ON
Defog	OFF / MANUAL / AUTO
Blemish Compensation	Auto (512 Points)
Power Source	DC12V ±10%
Power Consumption	DC: 200mA ±10%
Storage Conditions	Temperature: -20°C ~ +60°C Humidity: 20%RH ~ 95%RH
Operating Conditions	Temperature: -20°C ~ +60°C Humidity: 20%RH ~ 95%RH
Dimensions (W x H x D)	130 x 100 x 130 mm
Weight	900g

Features and specifications are subject to change for further improvement without any notice

## Accessories

- W96FMH - Internal Flush Mount Housing
- W96CWV - Chameleon White Snap On Cover
- W96VDJB - Junction Box Base
- PSU1SM - Switched Mode Power Supply Unit, DC12V 1A