

W96MDW

Internal Fixed Lens Mini Dome

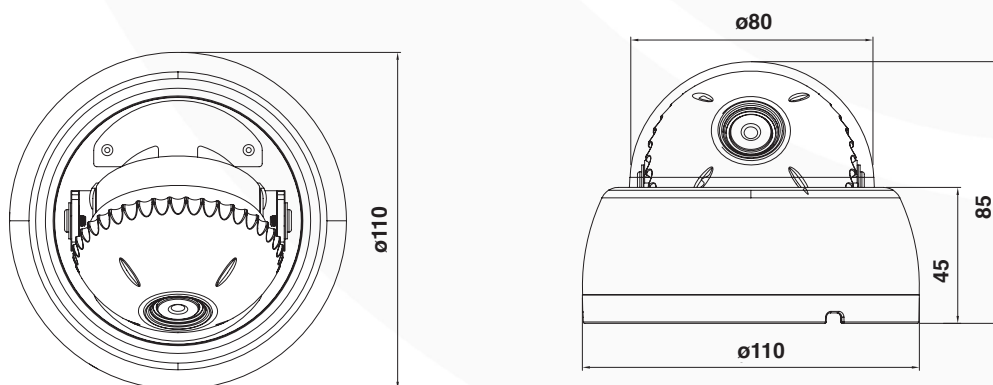


W96MDW

Key Features

- 1/3" Colour 960H CCD
- 700TVL Resolution
- 3.6mm Fixed Board Lens
- 3 Axis Movement
- DC12V

Dimensions (mm)



DATASHEET

www.geniecctv.com
sales@geniecctv.com
T: +44 (0) 1707 330 541
F: +44 (0) 1707 330 543

Genie CCTV Ltd.
CCTV House, City Park,
Watchmead,
Welwyn Garden City,
Hertfordshire,
AL7 1LT,
United Kingdom

Technical Specification

Model Number	W96MDW
Image Sensor	1/3" Colour 960H CCD
Effective Pixels	976 (H) x 582 (V) approx. 570K Pixels (PAL)
Total Pixels	1020 (H) x 596 (V) approx. 610K Pixels (PAL)
Resolution	Colour: 650TVL, B&W: 700TVL
Scanning System	2:1 Interlaced
Minimum Illumination	Colour: 0.01 Lux @F1.2 (Sens Up x256) B&W: 0.001 Lux @F1.2 (Sens Up x256)
Video Output	1.0Vp-p Composite. 75 Ω
S/N Ratio	52dB
Lens	f = 3.6mm Fixed
Power Source	DC12V ±10%
Power Consumption	DC: 200mA ±10%
Storage Conditions	Temperature: -20°C ~ +60°C Humidity: 20%RH ~ 95%RH
Operating Conditions	Temperature: -20°C ~ +60°C Humidity: 20%RH ~ 95%RH
Dimensions (W x H x D)	110 x 85 x 110 mm
Weight	300g

Features and specifications are subject to change for further improvement without any notice

Accessories

- W96FMH - Internal Flush Mount Housing
- PSU1SM - Switched Mode Power Supply Unit, DC12V 1A

www.geniecctv.com
 sales@geniecctv.com
 T: +44 (0) 1707 330 541
 F: +44 (0) 1707 330 543

Genie CCTV Ltd.
 CCTV House, City Park,
 Watchmead,
 Welwyn Garden City,
 Hertfordshire,
 AL7 1LT,
 United Kingdom