

# W96MDVIR Series

Internal Varifocal Lens IR LED Mini Dome



W96MDVIR

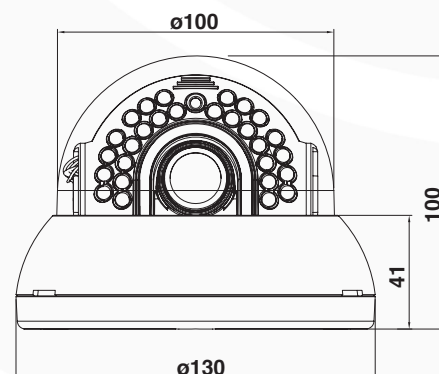
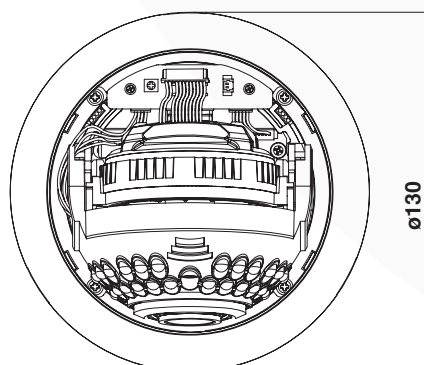


W96MDVIRW

## Key Features

- 1/3" Colour 960H CCD
- 700TVL Resolution
- 2.8-12mm DC Auto Iris Varifocal Lens
- 28 IR LEDs
- 3 Axis Movement
- DC12V

## Dimensions (mm)



DATASHEET

www.geniecctv.com  
sales@geniecctv.com  
T: +44 (0) 1707 330 541  
F: +44 (0) 1707 330 543

Genie CCTV Ltd.  
CCTV House, City Park,  
Watchmead,  
Welwyn Garden City,  
Hertfordshire,  
AL7 1LT,  
United Kingdom

## Technical Specification

Model Number	W96MDVIR	W96MDVIRW
Image Sensor	1/3" Colour 960H CCD	
Effective Pixels	976 (H) x 582 (V) approx. 570K Pixels (PAL)	
Total Pixels	1020 (H) x 596 (V) approx. 610K Pixels (PAL)	
Resolution	Colour: 650TVL, B&W: 700TVL	
Scanning System	2:1 Interlaced	
Minimum Illumination	Colour: 0.01 Lux @F1.2 (Sens Up x256) B&W: 0.001 Lux @F1.2 (Sens Up x256)	
Video Output	1.0Vp-p Composite. 75 Ω	
S/N Ratio	52dB	
Focal Length	f = 2.8mm ~ 12mm	
Drive Type	DC Auto Iris	
AGC	Low / Middle / High	
Sens Up	OFF / Auto (x2 ~ x256)	
Backlight Compensation	OFF / BLC / HLC	
D-WDR	OFF / INDOOR / OUTDOOR	
Motion Detection	4 Zones	
Privacy Masking	8 Zones	
DIS (Digital Image Stabiliser)	OFF / ON	
Day & Night	Auto (AGC) / Day / Night / Ext	
White Balance	ATW / AWB / AWC - > SET / Manual (1,800K ~ 11,000K)	
3DNR (2D or 3D)	1 ~ 200 Level Selectable	
Mirror	H-Rev / V-Rev / Rotate / PIP	
D-Zoom	x32	
Smart DZoom (Motion Detection)	OFF / ON	
Defog	OFF / MANUAL / AUTO	
Blemish Compensation	Auto (512 Points)	
Power Source	DC12V ±10%	
Power Consumption (IR's On / Max.)	DC: 400mA ±10%	
IR Spectrum	850nm/30° x ø5 x 28EA	
Viewable Distance	Up to 25m in Ideal Conditions	
Storage Conditions	Temperature: -20°C ~ +60°C Humidity: 20%RH ~ 95%RH	
Operating Conditions	Temperature: -20°C ~ +60°C Humidity: 20%RH ~ 95%RH	
Dimensions (W x H x D)	130 x 100 x 130 mm	
Weight	600g	

Features and specifications are subject to change for further improvement without any notice

## Accessories

- W96FMH - Internal Flush Mount Housing
- PSU1SM - Switched Mode Power Supply Unit, DC12V 1A

www.geniecctv.com  
 sales@geniecctv.com  
 T: +44 (0) 1707 330 541  
 F: +44 (0) 1707 330 543

Genie CCTV Ltd.  
 CCTV House, City Park,  
 Watchmead,  
 Welwyn Garden City,  
 Hertfordshire,  
 AL7 1LT,  
 United Kingdom