



W96EBV | W96EBVW



Vandal Resistant Dome Camera with IR LED's

User Manual



Safety Precautions

DO NOT ATTEMPT TO DISASSEMBLE THE CAMERA.

	Risk of Electric Shock, Do Not Open	
CAUTION: TO REDUCE THE RISK OF ELECTRIC SHOCK, DO NOT REMOVE COVER NO USER SERVICEABLE PARTS INSIDE REFER SERVICING TO QUALIFIED SERVICE PERSON		



This symbol is intended to alert the user to the presence of uninsulated dangerous voltage within the product's enclosure that may be of sufficient magnitude to constitute a risk of electric shock to persons.



This symbol is intended to alert the user to the presence of important operation and maintenance instructions in the literature accompanying the appliance.

Warning

1. This product is patented for configuration, appearance and design; copying is not permitted.
2. If this product fails to operate normally contact your authorised distributor or service centre. Never disassemble or modify the product in any way. Problems caused by disassembly, modification or repair invalidates the product warranty.
3. Electromagnetic fields at specific frequencies may cause image interference.
4. Only use a standard regulated power adapter. Using any other adapter could result in fire, electric shock or damage to the product.
5. Incorrectly connecting the power supply may result in fire, electric shock or damage to the product.
6. Do not connect multiple cameras to a single adapter. Exceeding the capacity may cause abnormal heat generation or fire.
7. Securely plug the power cord into the power receptacle. A loose connection may result in fire.
8. When installing the camera on a wall or ceiling, fasten it safely and securely. A falling camera may cause personal injury.
9. Do not place conductive objects (e.g. screwdrivers, coins etc.) on top of the camera.
10. Do not install the unit in humid, dusty locations.
11. If any unusual smell or smoke comes from the unit, please stop using the product. In such cases, please immediately disconnect the power source and contact your local authorised distributor or service centre.

Cautions

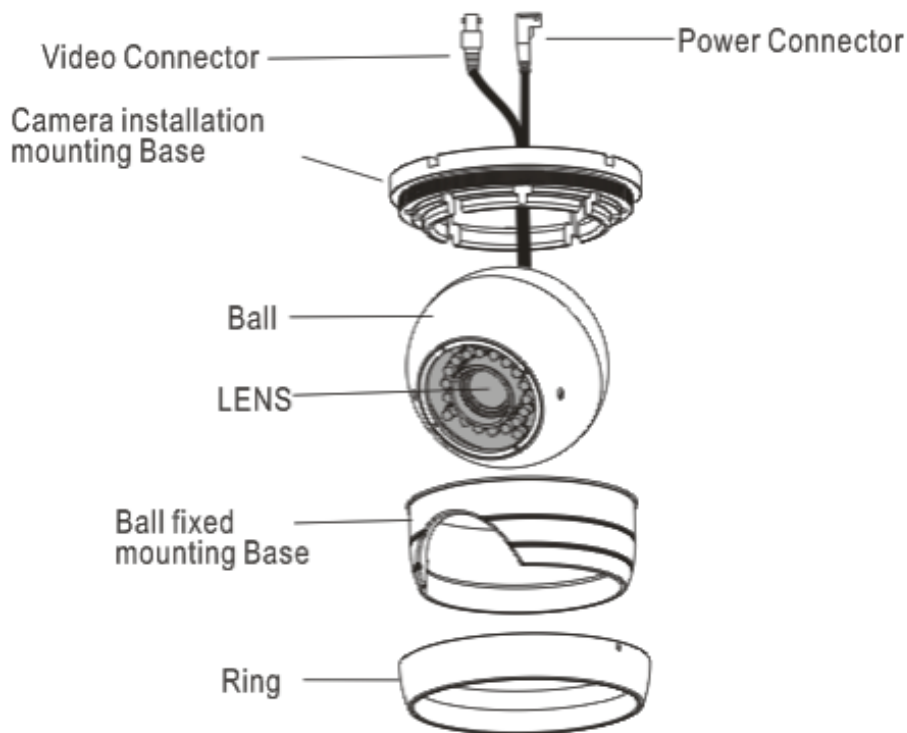
1. Do not drop objects on the products or apply strong shocks to it. Keep it away from locations subject to excessive vibration or magnetic-field interference.
2. Do not install in a location subject to high temperatures (over 122°F or +50°C), low temperatures (below 14°F or -20°C) it may cause a fire.
3. If want to relocate the installed product, turn off the power before moving or reinstalling it.
4. Remove the power plug from the outlet if there is a lightning storm. Neglecting to do so may cause fire or damage to the product.
5. Avoid a location which is exposed to direct sunlight, or near heat sources. Neglecting to do so may cause fire.
6. Install in a well-ventilated location.
7. Avoid aiming the camera directly towards extremely bright objects such as the sun, as this may damage the image sensor.

Important Safety Instructions

1. Read these instructions
2. Keep these instructions for later use.
3. Pay attention to all warnings and adhere to them.
4. Follow all instructions.
5. Do not immerse this product in water.
6. Clean only with a lint free dry cloth.
7. Do not block any ventilation openings.
8. Do not install near any heat sources such as radiations, heat registers, or other products (including amplifiers) that produce heat.
9. Protect the power cord from being walked on or being pinched, especially at power receptacles, and the point where they exit from the camera.
10. Only use accessories specified by the manufacturer.
11. For added protection for this product during a lightning storm, or when it is left unattended and unused for long periods of time, unplug it from the power.
12. Refer all servicing to qualified service personnel. Servicing is required when the product has been damaged in any way, such as power supply cord or plug is damaged, it does not operate normally, or has been dropped.
13. Do not operate the camera beyond its temperature, humidity or power source ratings. Operating temperature: 14F-122F (-20°C-50°C), Humidity >85%
14. Do not point the camera towards the sun, spotlights or reflective surfaces.
15. Laser beams will damage the image sensor. Do not project laser beam directly into the lens of the camera.

1. Features

- The W96EBV Series cameras are equipped with a 1/3" SONY 960H CCD and an advanced Digital Signal Processor (DSP). It has a horizontal resolution of 700TVL, which provides clear and vivid images.
- 2.8-12mm Varifocal Auto Iris Lens.
- Integrated 36-piece IR LED array for high resolution and full motion video capture - even in total darkness.
- IR illumination distance 20m in ideal environmental conditions.
- Built-in CDS photo sensor for automatic operation of the IR LED array.
- OSD Menu
- DC12V (Genie **PSU1SM**)
- External adjustments for Focus and Zoom
- Manual Pan /Tilt mechanism.
- Weatherproof design IP65.
- Optional Stand Off Base Accessory (**W96EBSB** or **W96EBSBW**)



2. Cover Removal

Undo the retaining ring by unscrewing it from the mounting base.

3. Safety Precautions

Camera installation should only be carried out by suitably qualified service personnel and confirm to all local safety codes.

Power Supply

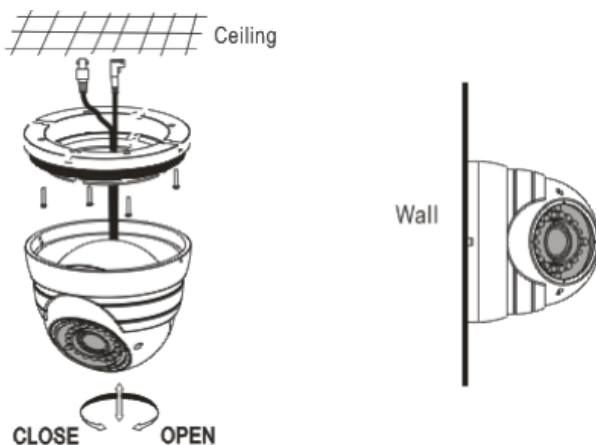
- (1) Only use a regulated CE approved DC12V power supply, such as the Genie **PSU1SM**.
- (2) To prevent fire or electrical shocks UL listed Class 2 wiring should be used on the DC12V input terminals.
- (3) Make sure that the power wiring is connected to the correct terminals. Incorrect connection can cause permanent damage to the camera.

4. Operation and Storage

- (1) Never point the camera directly at the sun, or any other extremely bright objects, as it causes image smear and leads to CCD (Charge Coupled Device) damage.
- (2) If the camera is installed next to equipment, such as wireless devices which emit strong electromagnetic fields, some noise may appear on the monitor.
- (3) Make sure the mounting surface is strong enough to support the weight of the camera.
- (4) Assemble the camera's main parts in a clean and dry environment.
- (5) Do not stretch the cable, it may cause a disconnection.
- (6) Do not touch the inside of camera, even if something is wrong.
- (7) Before installation, be sure to disconnect the power supply first and check the ground connection.
- (8) Operating temperature range: $-10^{\circ}\text{C} \sim +50^{\circ}\text{C}$ ($14^{\circ}\text{F} \sim 122^{\circ}\text{F}$)
Storage temperature range: $-20^{\circ}\text{C} \sim +60^{\circ}\text{C}$ ($-4^{\circ}\text{F} \sim 140^{\circ}\text{F}$).

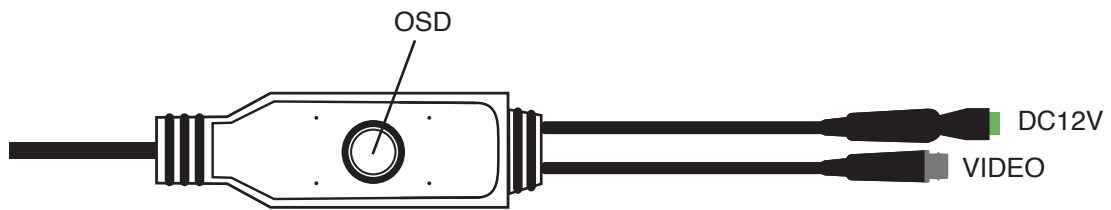
5. Installation

1. Carefully unpack the camera and remove it from the packaging. Undo the locking ring to disassemble the camera – as detailed in section 2.
2. Drill the appropriate holes in the required mounting surface. Use the camera mounting base as a template to position the fixing holes. Holes may also be necessary for the power and video cables.



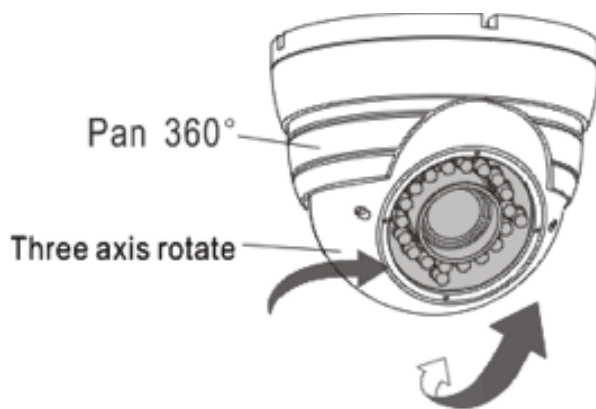
- **Connecting Low Voltage Power & Video Signal**

The wiring harness has a BNC connector to output the video signal and the other connector is used to input DC12V low voltage power – polarity conscious. An adapter is provided to connect directly to bare cable ends.



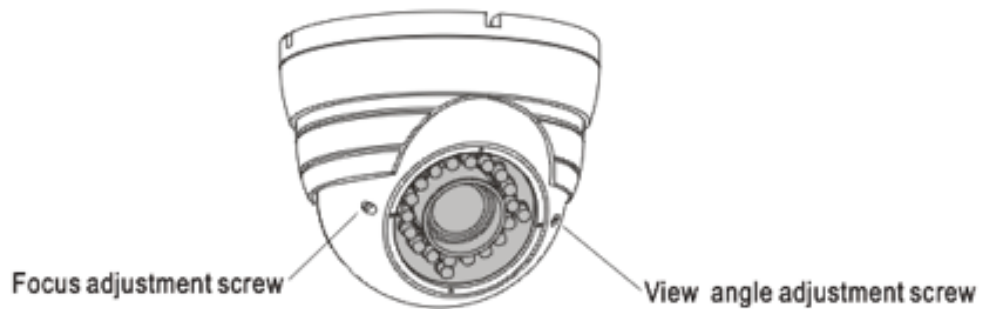
- **Adjusting the Camera Direction**

The built-in 3 axis camera mechanism makes it very easy to rotate the camera in any direction and direct the lens toward the target.



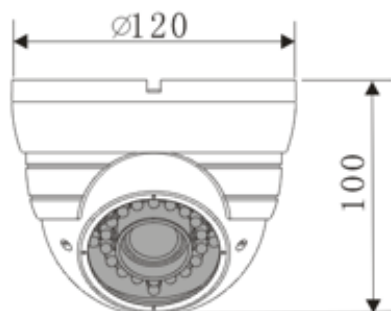
- **Adjusting the Viewing Angle**

Use the supplied adjusting tool to alter the camera zoom and focus screws – these are marked on the camera case.



Make sure the ring is firmly tightened before and after adjusting the lens.

6. Dimensions



Specification

Model Number	W96EBV	W96EBVW
Image Device	1/3" Sony Effio-E 960H CCD	
TV System	PAL	
Total Pixels	1020 (H) x 596 (V)	
Effective Pixels	976 (H) x 582 (V)	
Scanning System	2:1 Interlaced	
Synchronisation	Internal	
Horizontal Resolution	700TV Lines	
Minimum Illumination	0Lux (IR On)	
S/N Ratio	>50dB	
Video Output	1Vp-p, 75ohm, BNC	
Lens Focal Length (Zoom Ratio)	2.8-12mm Varifocal Lens	
Regular Field of View	D:94.26°/H:79.37°/V:69.8°	
Shutter/AGC	Auto	
Backlight	On/Off	
Mirror	On/Off	
Brightness	Auto	
Contrast	1-128	
Sharpness	1-128	
Hue	1-128	
Gain	Auto	
Motion Detection	On/Off	
Detect Sense	0-111	
Motion Area	On/Off (4 Areas)	
Privacy Masking	On/Off (4 Areas)	
Camera ID	On/Off	
Noise Reduction	2D-DNR	
NR Mode	Y/C (Y Level 0-4; C Level 0-4)	
HLC	On/Off	
OSD Menu	8 languages	
White Pixel Compensation	Static and Dynamic	
White Balance	ATW / PUSH / USER1 / USER2 / MANUAL / PUSH LOCK	
Burst	On/Off	
Delay Count	0-10	
Electronic Shutter Speed	1/50 ~ 1/100,000sec	
Infrared LED / Wavelength	36-Piece, 850nm	
IR Distance	20 Metres in Ideal Conditions	
Operational Temperature	-10°C~ +50°C	
Storage Temperature	-20°C~ +60°C	
Weatherproof	IP65	
Input Voltage/Current	DC12V, 370mA	
Dimensions	150*100mm	
Weight	800g	

*Design and Specifications are subject to change without notice.

Memo



GENIE CCTV LTD.

CCTV House, City Park, Watchmead, Welwyn Garden City, Hertfordshire, AL7 1LT

Tel: +44 (0) 1707 330541 Fax: +44 (0) 1707 330543

www.geniecctv.com