

W96EBV Series

700TVL 960H Vandal Resistant Eyeball Dome



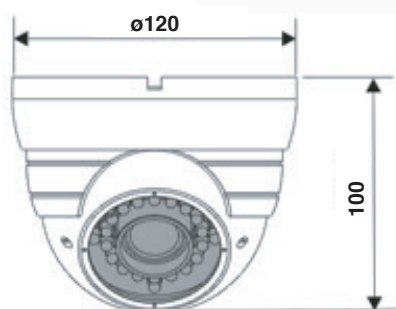
W96EBV

W96EBVW

Key Features

- 1/3" Sony Effio-E 960H CCD
- 2.8-12mm Varifocal Auto Iris Lens
- 700TVL
- Integrated 36-Piece IR LED Array
- IR Illumination Distance 20m in Ideal Environmental Conditions
- Built-In CDS Photo Sensor for Automatic Operation of the IR LED Array
- OSD Menu - Accessible via Joystick on Cable
- External Adjustments for Focus and Zoom
- Manual Pan / Tilt Mechanism
- Weatherproof Design IP65
- DC12V

Dimensions (mm)



Technical Specification

Model Number	W96EBV	W96EBVW
Image Sensor	1/3" Sony Effio-E 960H CCD	
Video Format	PAL	
Total Pixels	PAL: 1020 (H) x 596 (V)	
Effective Pixels	PAL: 976 (H) x 582 (V)	
Scanning System	2:1 Interlace	
Synchronization	Internal	
Horizontal Resolution	700TVL	
Minimum Illumination	0 Lux(IR ON)	
S/N Ratio	>50dB	
Video Output	1Vp-p,75Ω, BNC	
Lens Focal Length (Zoom Ratio)	2.8-12MM VF Lens	
Regular Field of View	D:94.26°/H:79.37°/V:69.8°	
Shutter/AGC	Auto	
Backlight	On/Off	
Mirror	On/Off	
Brightness	Auto	
Contrast	1-128	
Sharpness	1-128	
Hue	1-128	
Gain	Auto	
Motion Detection	On/Off	
Detect Sense	0-111	
Motion Area	On/Off (4 Areas)	
Privacy Masking	On/Off (4 Areas)	
Camera ID	On/Off	
Noise Reduction	2D-DNR	
NR Mode	Y/C (Y Level 0-4; C Level 0-4)	
HLC	On/Off	
OSD Menu	Yes	
White Pixel Compensation	Static and Dynamic	
White Balance	ATW / PUSH / USER1 / USER2 / MANUAL / PUSH LOCK	
Burst	On/Off	
Delay Count	0-10	
Electronic Shutter Speed	1/50 ~ 1/100,000 sec	
Infrared LED / Wavelength	36-Piece, 850nm	
IR Distance	20 Metres in Ideal Conditions	
Operational Temperature	-10°C ~ +50°C	
Storage Temperature	-20°C ~ +60°C	
Weatherproof	IP65	
Input Voltage/Current	DC12V, 370mA (IR ON)	
Colour	Black	White
Dimensions	Φ120 x 100 mm	
Weight	800g	

Features and specifications are subject to change for further improvement without any notice

Accessories

- W96EBSB - Stand Off Base for W96EBV, Black
- W96EBSBW - Stand Off Base for W96EBVW, White
- PSU1SM - Switched Mode Power Supply Unit, DC12V 1A