



W96BVIR

External Varifocal Lens IR LED Bullet Camera

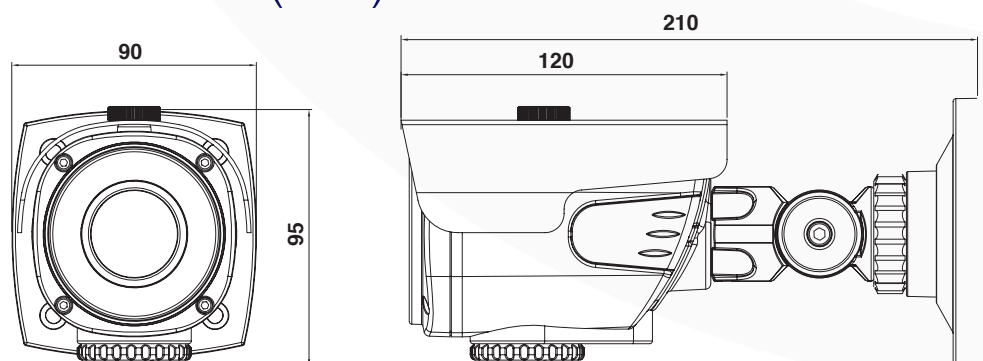


W96BVIR

Key Features

- 1/3" Colour 960H CCD
- No Noise, Ghosting Effect with DNR
- 700TVL Resolution
- Highest Resolution : Vivid Sharp Pictures in Complete Darkness
- Minimum Illumination 0.000001 Lux (Intense Light @ 256x)
- D-WDR (Digital Wide Dynamic Range)
- De-Fog
- Smart D-ZOOM
- Digital Image Stabiliser
- 3D-DNR (3D Digital Noise Reduction)
- Full OSD Menu
- IP67 Compliant
- 42 IR LEDs
- DC12V

Dimensions (mm)



DATASHEET

www.geniecctv.com
 sales@geniecctv.com
 T: +44 (0) 1707 330 541
 F: +44 (0) 1707 330 543

Genie CCTV Ltd.
 CCTV House, City Park,
 Watchmead,
 Welwyn Garden City,
 Hertfordshire,
 AL7 1LT,
 United Kingdom

Technical Specification

Model Number	W96BVIR
Image Sensor	1/3" Colour 960H CCD
Effective Pixels	976 (H) x 582 (V) approx. 570K Pixels (PAL)
Total Pixels	1020 (H) x 596 (V) approx. 610K Pixels (PAL)
Resolution	Colour: 650TVL, B&W: 700TVL
Scanning System	2:1 Interlaced
Minimum Illumination	IR LED On: 0 Lux @F1.2 (Sens Up x256)
Video Output	1.0Vp-p Composite. 75 Ω
S/N Ratio	52dB
Focal Length	f = 2.8mm ~ 12mm
Drive Type	DC Auto Iris
AGC	Low / Middle / High
Sens Up	OFF / AUTO (x2 ~ x256)
Backlight Compensation	OFF / BLC / HLC
D-WDR	OFF / INDOOR / OUTDOOR
Motion Detection	4 Zones
Privacy Masking	8 Zones
DIS (Digital Image Stabiliser)	OFF / ON
Day & Night	Auto (AGC) / Day / Night / Ext
White Balance	ATW / AWB / AWC -> SET / Manual (1,800K ~ 11,000K)
3DNR (2D or 3D)	1 ~ 200 Level Selectable
Mirror	H-Rev / V-Rev / Rotate / PIP
D-Zoom	x32
Smart DZoom (Motion Detection)	OFF / ON
Defog	OFF / MANUAL / AUTO
Blemish Compensation	Auto (512 Points)
IR Spectrum	850nm/30° x ø5 x 42EA
Viewable Distance	Up to 25m in Ideal Conditions
Power Source	DC12V ±10%
Power Consumption (IR's On / Max.)	DC: 640mA ±10% (Max.)
Storage Conditions	Temperature: -20°C ~ +60°C Humidity: 20%RH ~ 95%RH
Operating Conditions	Temperature: -20°C ~ +60°C Humidity: 20%RH ~ 95%RH
Dimensions (W x H x D)	90 x 95 x 210 mm
Weight	1400g

Features and specifications are subject to change for further improvement without any notice

Accessories

- INTUS/JB - Junction Box
- INTUS/MJB - Mounting Junction Box
- INTUS/PM - Pole Mount Bracket
- PSU1SM - Switched Mode Power Supply Unit, DC12V 1A