

W96BIR

External Fixed Lens IR LED Bullet Camera

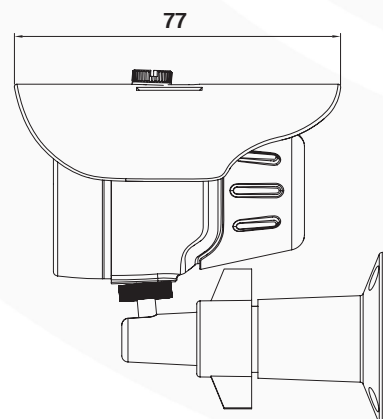
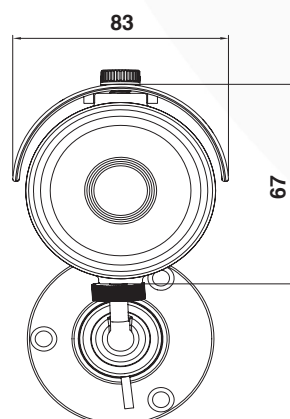


W96BIR

Key Features

- 1/3" Colour 960H CCD
- 700TVL Resolution
- IP67 Compliant
- 3.6mm Fixed Board Lens
- 24 IR LEDs
- DC12V

Dimensions (mm)



Technical Specification

Model Number	W96BIR
Image Sensor	1/3" Colour 960H CCD
Effective Pixels	976 (H) x 582 (V) approx. 570K Pixels (PAL)
Total Pixels	1020 (H) x 596 (V) approx. 610K Pixels (PAL)
Resolution	Colour: 650TVL, B&W: 700TVL
Scanning System	2:1 Interlaced
Minimum Illumination	IR LED On: 0 Lux @F1.2 (Sens Up x256)
Video Output	1.0Vp-p Composite. 75 Ω
S/N Ratio	52dB
Lens	f = 3.6mm Fixed
IR Spectrum	850nm/30° x ø5 x 24EA
Viewable Distance	Up to 15m in Ideal Conditions
Power Source	DC12V ±10%
Power Consumption (IR's On / Max.)	DC: 450mA ±10% (Max.)
Storage Conditions	Temperature: -20°C ~ +60°C Humidity: 20%RH ~ 95%RH
Operating Conditions	Temperature: -20°C ~ +60°C Humidity: 20%RH ~ 95%RH
Dimensions (W x H x D)	66 x 67 x 77 mm
Weight	700g

Features and specifications are subject to change for further improvement without any notice

Accessories

- PSU1SM - Switched Mode Power Supply Unit, DC12V 1A

www.geniecctv.com
 sales@geniecctv.com
 T: +44 (0) 1707 330 541
 F: +44 (0) 1707 330 543

Genie CCTV Ltd.
 CCTV House, City Park,
 Watchmead,
 Welwyn Garden City,
 Hertfordshire,
 AL7 1LT,
 United Kingdom