

W70SBIR

Vandal Resistant IR Bullet Camera

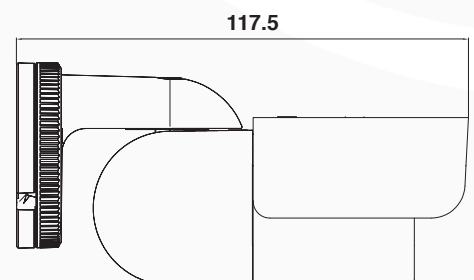
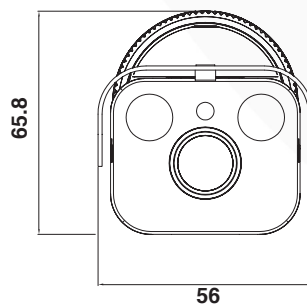


W70SBIR

Key Features

- CMOS
- 700TVL
- Built-In 3.6mm 1/3" IR 1.3 Megapixel Lens
- Built-In ICR
- 2 Piece IR LED Array, Total Power 4W
- Visible Range of up to 15m in Ideal Conditions
- 3-Axis Vertical / Horizontal / Rotational
- Vandal Resistant Housing
- IP66
- DC12V

Dimensions (mm)



Technical Specification

Model Number	W70SBIR
Image Sensor	CMOS
Video Format	PAL
Effective Pixels	720 (H) x 576 (V)
Horizontal Resolution	700 TVL
Minimum Illumination	0.01Lux @ (F1.2, AGC ON), 0 Lux with IR
Shutter Time	Auto
Day & Night	IR Cut Filter with Auto Switching
Sync System	Internal
Video Output	1Vp-p Composite Output (75Ω / BNC)
S/N Ratio	> 50dB
BLC	On
Lens	3.6mm IR 1.3MP
Angle of View	70°
Mount	M12
IR Light	2 Piece LED Array (2W Each)
IR Range	Up to 15m*
Weatherproof	IP66
Power Supply	DC12V
Power Consumption	Max. 2W (Max. 6W with IR LED's ON)
Operating Conditions	- 20°C ~ 50°C
Bracket	3-Axis Cable Managed Bracket
Dimensions (L x W x H)	117.5 x 56 x 65.8 mm
Weight	337.6g

Features and specifications are subject to change for further improvement without any notice

*IR Range Assumes Ideal Conditions

Accessories

- PSU1SM - Switched Mode Power Supply Unit, DC12V 1A

www.geniecctv.com
 sales@geniecctv.com
 T: +44 (0) 1707 330 541
 F: +44 (0) 1707 330 543

Genie CCTV Ltd.
 CCTV House, City Park,
 Watchmead,
 Welwyn Garden City,
 Hertfordshire,
 AL7 1LT,
 United Kingdom