



---

# **W70MDIR**

Vandal Resistant IR Dome Camera



User Manual

---



# Safety Precautions

DO NOT ATTEMPT TO DISASSEMBLE THE CAMERA.

	<b>Risk of Electric Shock, Do Not Open</b>	
CAUTION: TO REDUCE THE RISK OF ELECTRIC SHOCK, DO NOT REMOVE COVER NO USER SERVICEABLE PARTS INSIDE REFER SERVICING TO QUALIFIED SERVICE PERSON		



This symbol is intended to alert the user to the presence of uninsulated dangerous voltage within the product's enclosure that may be of sufficient magnitude to constitute a risk of electric shock to persons.



This symbol is intended to alert the user to the presence of important operation and maintenance instructions in the literature accompanying the appliance.

## Warning

1. This product is patented for configuration, appearance and design; copying is not permitted.
2. If this product fails to operate normally contact your authorised distributor or service centre. Never disassemble or modify the product in any way. Problems caused by disassembly, modification or repair invalidates the product warranty.
3. Electromagnetic fields at specific frequencies may cause image interference.
4. Only use a standard regulated power adapter. Using any other adapter could result in fire, electric shock or damage to the product.
5. Incorrectly connecting the power supply may result in fire, electric shock or damage to the product.
6. Do not connect multiple cameras to a single adapter. Exceeding the capacity may cause abnormal heat generation or fire.
7. Securely plug the power cord into the power receptacle. A loose connection may result in fire.
8. When installing the camera on a wall or ceiling, fasten it safely and securely. A falling camera may cause personal injury.
9. Do not place conductive objects (e.g. screwdrivers, coins etc.) on top of the camera.
10. Do not install the unit in humid, dusty locations.
11. If any unusual smell or smoke comes from the unit, please stop using the product. In such cases, please immediately disconnect the power source and contact your local authorised distributor or service centre.

## Cautions

1. Do not drop objects on the products or apply strong shocks to it. Keep it away from locations subject to excessive vibration or magnetic-field interference.
2. Do not install in a location subject to high temperatures (over 122°F or +50°C), low temperatures (below 14°F or -20°C) it may cause a fire.
3. If want to relocate the installed product, turn off the power before moving or reinstalling it.
4. Remove the power plug from the outlet if there is a lightning storm. Neglecting to do so may cause fire or damage to the product.
5. Avoid a location which is exposed to direct sunlight, or near heat sources. Neglecting to do so may cause fire.
6. Install in a well-ventilated location.
7. Avoid aiming the camera directly towards extremely bright objects such as the sun, as this may damage the image sensor.

# Important Safety Instructions

1. Read these instructions
2. Keep these instructions for later use.
3. Pay attention to all warnings and adhere to them.
4. Follow all instructions.
5. Do not immerse this product in water.
6. Clean only with a lint free dry cloth.
7. Do not block any ventilation openings.
8. Do not install near any heat sources such as radiations, heat registers, or other products (including amplifiers) that produce heat.
9. Protect the power cord from being walked on or being pinched, especially at power receptacles, and the point where they exit from the camera.
10. Only use accessories specified by the manufacturer.
11. For added protection for this product during a lightning storm, or when it is left unattended and unused for long periods of time, unplug it from the power.
12. Refer all servicing to qualified service personnel. Servicing is required when the product has been damaged in any way, such as power supply cord or plug is damaged, it does not operate normally, or has been dropped.
13. Do not operate the camera beyond its temperature, humidity or power source ratings. Operating temperature: 14F-122F (-20°C-50°C), Humidity >85%
14. Do not point the camera towards the sun, spotlights or reflective surfaces.
15. Laser beams will damage the image sensor. Do not project laser beam directly into the lens of the camera.

# Contents

<b>Chapter 1 - Overview.....</b>	<b>6</b>
Features.....	6
Specification.....	6
Package.....	6
Product Parts.....	7
<b>Chapter 2 - Operating Instructions.....</b>	<b>7</b>
Connection.....	7
Installation.....	8
<b>Chapter 3 - Common Troubleshooting.....</b>	<b>9</b>
<b>Chapter 4 - Current Maintenance.....</b>	<b>9</b>

# Chapter 1 - Overview

## Features

- Built-in 3.6mm 1/3" IR 1.3 Megapixel Lens
- Built-in ICR
- 2 Piece IR LED Array, Total Power 4W
- Visible Range of up to 10m in Ideal Conditions
- 3-Axis Vertical / Horizontal / Rotational
- Full Metal Body Vandal Resistant
- Water Resistant IP66

## Specification

Model Number	W70MDIR
Image Sensor	CMOS
Video Format	PAL
Effective Pixels	720 (H) x 576 (V)
Horizontal Resolution	700 TVL
Minimum Illumination	0.01Lux @ (F1.2,AGC ON),0 Lux with IR
Shutter Time	Auto
Day & Night	IR Cut Filter with Auto Switch
Sync System	Internal
Video Output	1Vp-p Composite Output (75Ω/BNC)
S/N Ratio	> 50dB
BLC	On
Lens	3.6mm IR 1.3MP
Angle of View	70°
Mount	M12
IR Light	2 Piece Array LED (2W Each)
IR Range	10m in Ideal Conditions
Weather Proof	IP66
Power Supply	DC12V
Power Consumption	Max. 6W with IR LED's On
Operating Conditions	- 20°C ~ 50°C
Bracket	3-Axis Movement
Dimension (D x H)	71.4 x 72.7 mm
Weight	260g

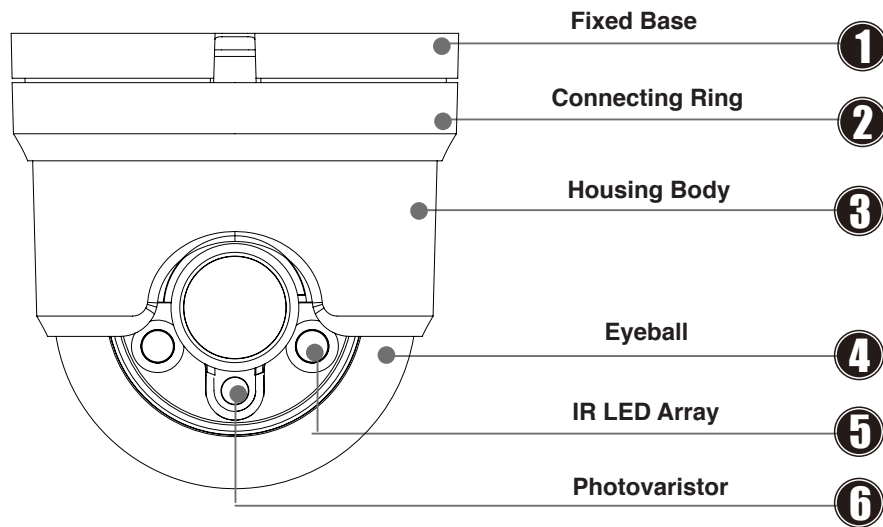
\*Design and Specifications are subject to change without notice.

## Package

Check the contents of the package. The following items are included:

- 1x User Manual
- 1x IR Dome Camera
- 3x Fixed Screws with Dielectric Covers
- 1x Dielectric Paper
- 1x L-Type Screw Driver

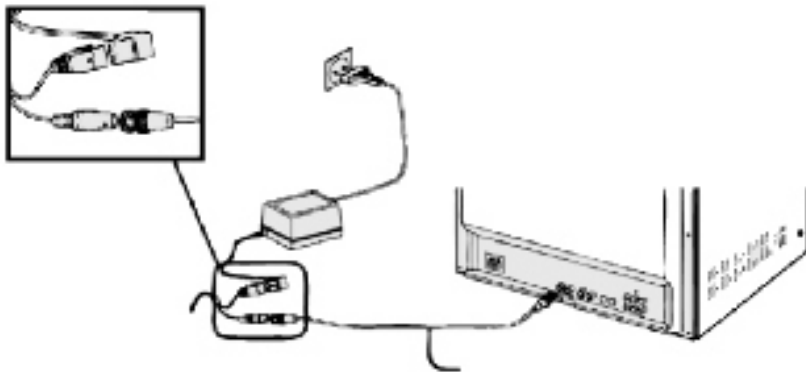
## Product Parts



1. **Fixed Base** - Fixes the camera to the ceiling or wall
2. **Connecting Ring** - Fixes the main housing and eyeball to the correct angle of view
3. **Housing Body** - Holds the eyeball assembly in position
4. **Eyeball** - Contains the electronics, lens and LED array
5. **IR LED Array** - Provides light source in darkness
6. **Photovaristor** – Photocell used to switch the IR LED On/Off

## Chapter 2 - Operating Instructions

### Connection



1. Connect one end of the BNC Cable to the terminals of a monitor or recording device.
2. Connect the other end of the BNC Cable to the camera VIDEO OUT terminal.
3. Then, plug the power adapter into the power receptacle. The image will be displayed when the monitor is on.

## Installation

### Before Installation

Read the cautions before installation:

1. Make sure the installation location can support 5 times the total weight of the dome camera.
2. Make sure the cable doesn't get jammed inappropriately or allow the cable insulation to get damaged during installation. This may result in a malfunction or a fire hazard.
3. Make sure that nobody is beneath the installation location.

### Installing the Camera

The installation process is illustrated below:

#### Step 1

Place the dielectric paper on the wall / ceiling (this is to protect the camera from damage by conducted currents). Then, fix the camera base to the wall / ceiling with the 3 screws provided.

\*Pay attention to the cable trough. Point it in the direction of the power supply if cables exit there.

#### Step 2

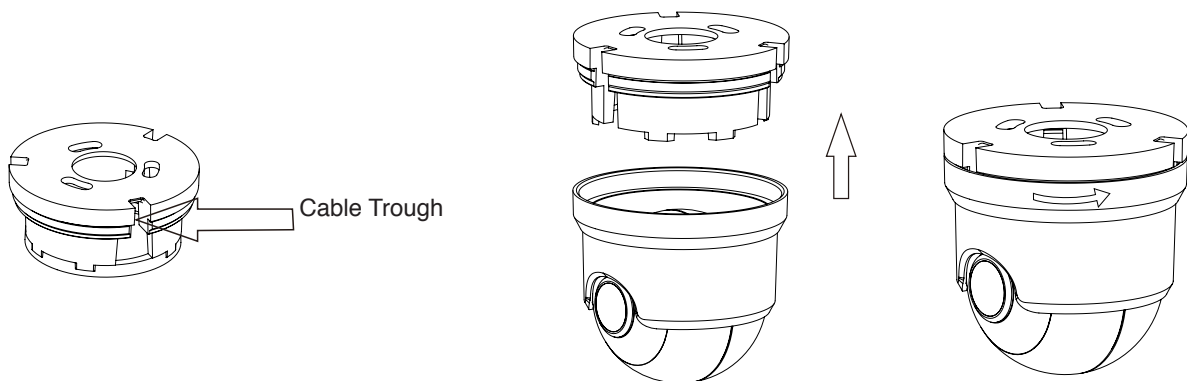
Attach the camera body to the base.

#### Step 3

Rotate the eyeball to set the monitoring direction.

#### Step 4

Tighten the connecting ring to finish the installation.



#### Cautions for Installation:

1. Allow the cable to pass through the hole in the middle before mounting the camera to the base.
2. If passing through the side, the cable must be put in the cable trough first before the camera is mounted.



## Chapter 3 - Common Troubleshooting

If you encounter trouble in using the camera, refer to the instructions below. For more information, please consult your local authorised distributor or service centre.

<b>Problem</b>	<b>Solution</b>
No Video Output	Check the power supply, or the connection among the cable, camera and monitor.
Malfunction	Check whether the camera is connected to the DC12V power supply.
Light Image	Adjust the display contrast of the monitor; Change the location if the camera is exposed to intense light.
Dark Image	Adjust the Brightness.

The situations below are not malfunctions of the camera.

<b>Problem</b>	<b>Solution</b>
Vertical Streak	May appear when the camera is exposed to intense light.
Fixed Image Clutter	When the camera is in a high temperature environment, there may be fixed image clutter on the entire monitor screen.
Jagged Image	When shooting at a ribbon-like object, a straight line or something with a similar pattern, the image displayed on the monitor may be serrated.

## Chapter 4 - Current Maintenance

1. Regularly clean the dust and dirt from the lens surface of the camera with a dry lint free cloth to maintain clarity of image.
2. Clean the camera body with dry soft cloth. For stubborn dirt, wipe it with a cloth dipped in a little neutral detergent, and then dry the camera.
3. Do not use volatile chemicals, such as thinners, alcohol, benzene etc. to clean the camera, because they can damage the surface coating, and even weaken the functionality and performance of the camera.

# Memo

# Memo



**GENIE CCTV LTD.**

CCTV House, City Park, Watchmead, Welwyn Garden City, Hertfordshire, AL7 1LT  
Tel: +44 (0) 1707 330541 Fax: +44 (0) 1707 330543

**[www.geniecctv.com](http://www.geniecctv.com)**