

Model : VRD43/12
**Digital Day/Night
 Vandal Resistant
 Dome Camera**



GENIE CCTV LTD.

CCTV House, City Park, Watchmead, Welwyn Garden City, Hertfordshire, AL7 1LT
 Tel : +44 (0) 1707 330541 Fax : +44 (0) 1707 330543
www.geniecctv.com

Edition. GN-JUNE 2011

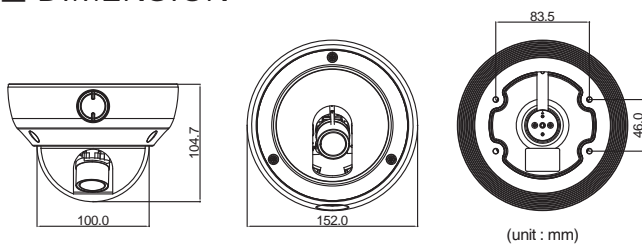


※ Please read this manual thoroughly before use.
 Keep this manual handy for future reference.

■ FEATURES

- 1/3" Sony Super HAD CCD
- Horizontal Resolution of 540 TV Lines
- Vari-Focal Auto Iris Lens (4mm~9mm / F1.5)
- Built-in 3 Axis Bracket
- Weatherproof (IP67)

■ DIMENSION



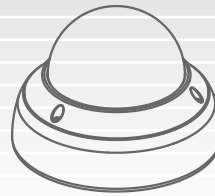
■ SPECIFICATION

ITEM	NTSC		PAL	
	AC24V / DC12V	DC12V	AC24V / DC12V	DC12V
Power Consumption	110mA(AC24V)/160mA(DC12V)	160mA	110mA(AC24V)/160mA(DC12V)	160mA
Total Pixels	811(H) x 508(V)		795(H) x 596(V)	
Effective Pixels	768(H) x 494(V)		752(H) x 582(V)	
Size	1/3" Sony Super HAD CCD			
Scanning System	2:1 Interlace			
Synchronisation	INT			
Frequency	Horizontal:15.734 KHz Vertical :59.94 Hz		Horizontal: 15.625 KHz Vertical :50.00 Hz	
Resolution	540TV Lines			
Video Output	1.0Vp-p/75(Video 0.714Vp-p Sync 0.286Vp-p)		1.0Vp-p/75(Video 0.7 Vp-p Sync 0.3 Vp-p)	
S/N Ratio	50dB (AGC Off)			
Min. Illumination	0.15Lux (40 IRE)			
White Balance	AWB (1,800°K~10,500°K)			
Gain Control	ON			
Iris Control	DC			
Shutter Speed	Fixed (1/50)			
Lens	Vari-Focal Auto Iris Lens (4mm~9mm / F1.5)			
Operating Temperature/Humidity	-10°C ~ +50°C / 30~90% RH			
Weatherproof	IP67			
Dimension	152.0(D)mm x 104.7(H)mm			
Weight	1,100g			

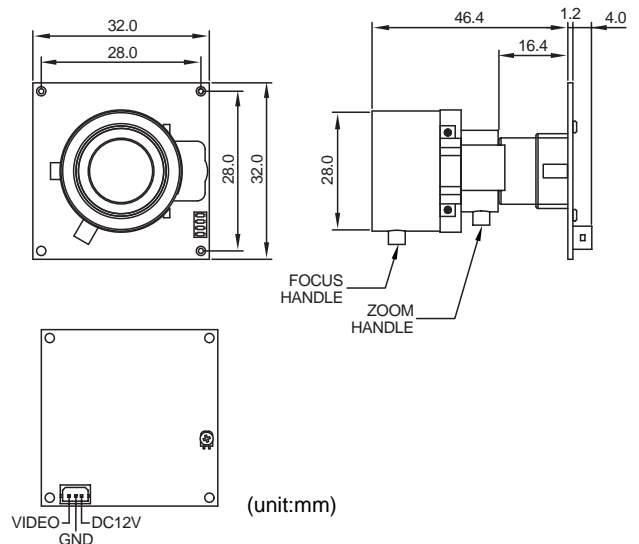
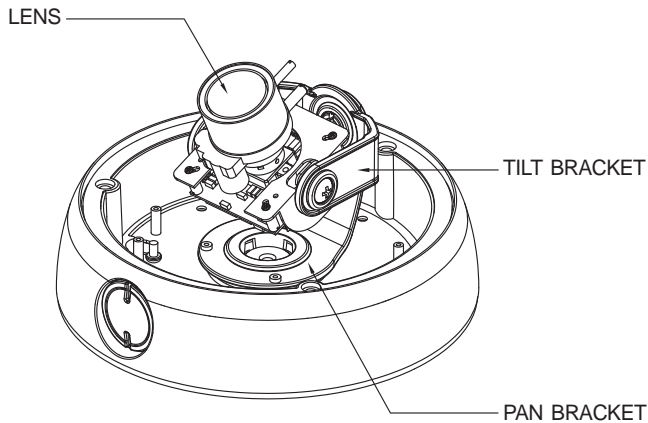
Digital Day/Night
 Vandal Resistant
 Dome Camera



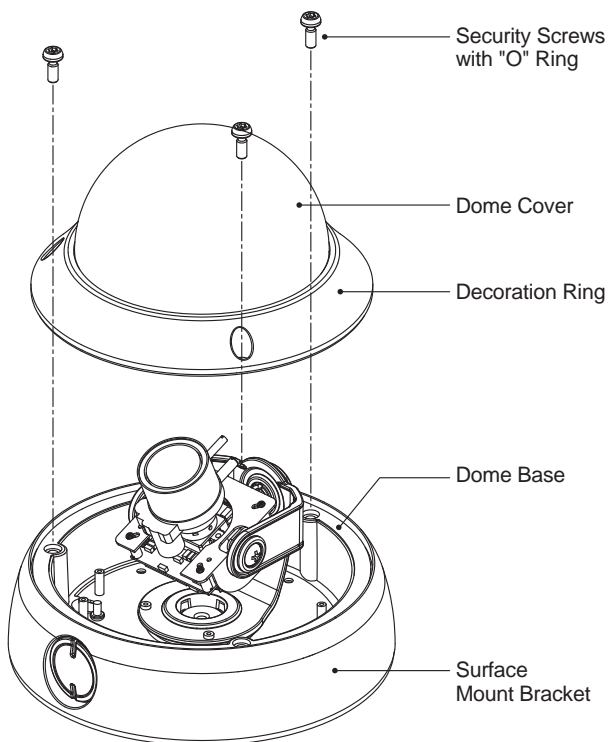
Digital Day/Night Vandal Resistant Dome Camera



CAMERA MODULE LAYOUT



INSTALLATION



1) Dome Base Mounting

- Open the dome cover by unscrewing the decoration ring
- Mount the base of camera to a sturdy surface using 4 screws and the 4 premade holes on the base of the dome.

2) Power Connect & Monitor Impedance

- Use a DC12V/500mA (PSU500) regulated power supply.
- To avoid fire or shock hazard, always use a CE listed power supply.
- Set the monitor impedance switch to 75Ω. Check the impedance switch if the image appears blurred.

3) Camera Module Adjustment

- Loosen the screws that secure the 3-Axis camera bracket and adjust the camera's focus and angle of view
- Make sure to retighten these camera bracket screws.

4) Dome Cover Mounting

- Tighten the screws that secure the polycarbonate bubble
- Replace the dome cover to the base and tighten the ring.

CABLE CONNECTION

