

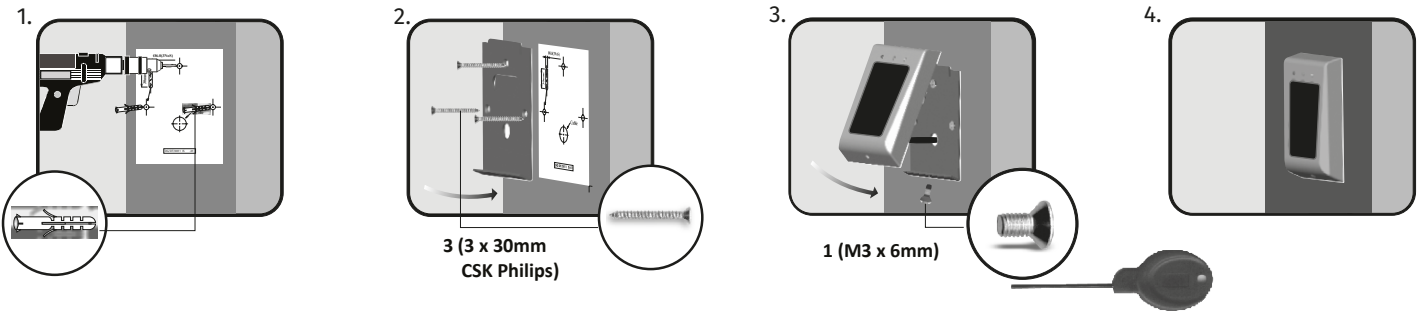


1. FEATURES

- Multi-protocol vandal resistant proximity reader;
- Resin potted, moulded aluminium matt chrome finish (IP65 rated);
- Pre-wired 3m, 8 core (AWG24) cable;
- Compatible with Wiegand 26 - 40 bit, CLOCK & DATA or codix protocols (by default 26 bit Wiegand. For setup of other protocols a MULTIPRO programmer module must be used);
- Read range of 3 - 5cm distance;
- Reads EM4100 compatible fobs or cards;
- 125kHz operating frequency;
- 2 free tension LED's (red and green);
- Audible and visual reassurance tones;
- Compatible with Portal Plus access control or 3rd party controllers;
- 9 - 12Vdc operating voltage;
- Current rating 45mA (max.).



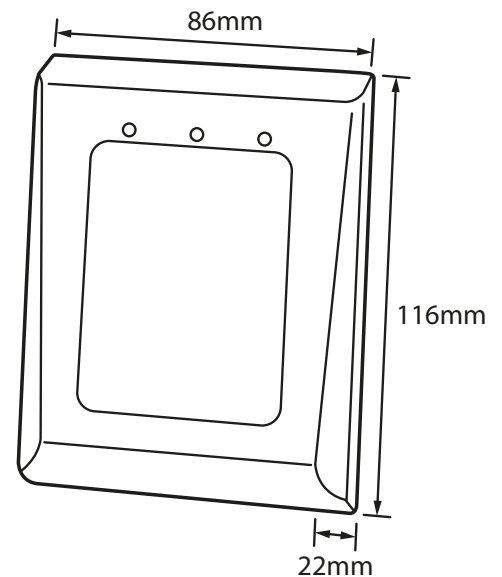
2. READER MOUNTING



3. READER WIRES, CONNECTIONS & DIMENSIONS



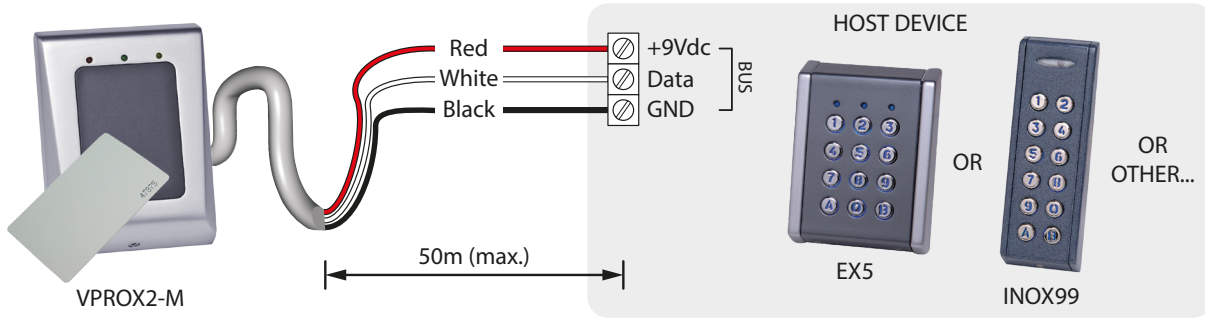
CABLE: 3m, 8 core (AWG24)



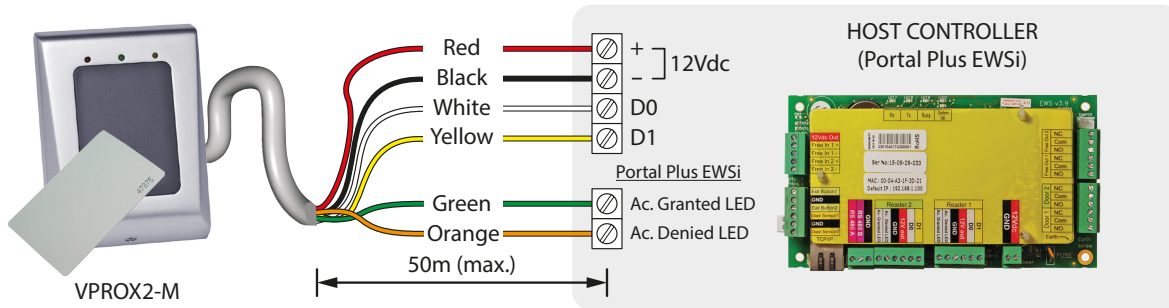
Wire Colour	Connection	Description
Red	+positive	9 - 12Vdc input
Black	-negative	Ground
White	DATA/D0/CLOCK	Data 0 (clock)
Yellow	D1/DA	Data 1 (data)
Green	LG-	Green LED
Orange	LR-	Red LED
Grey	BZ-	Internal buzzer
Blue	CP-	Card present



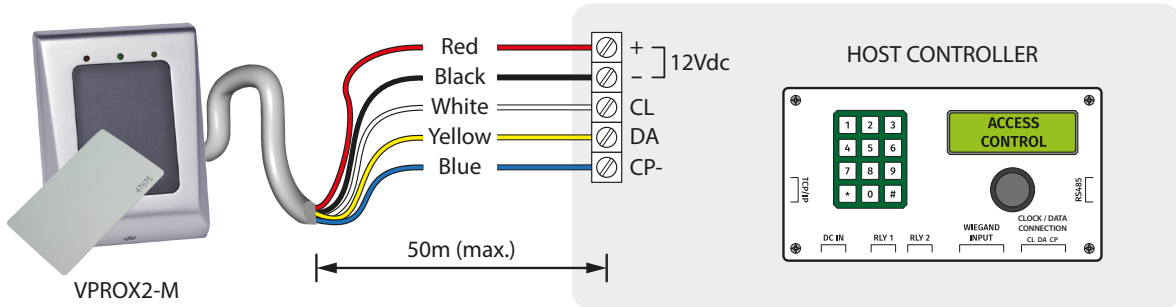
4. CODIX CONNECTION



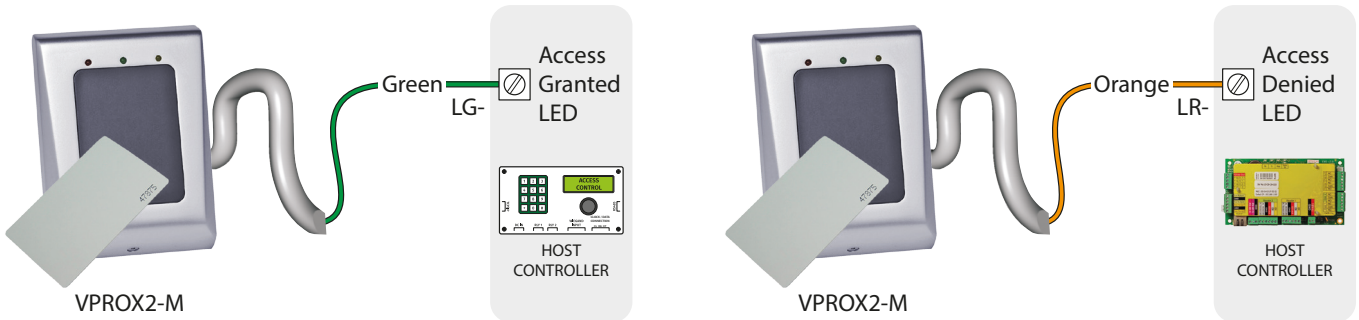
5. WIEGAND CONNECTION



6. CLOCK & DATA CONNECTION



7. CONNECTING VOLTAGE FREE LED'S



Northern Office
Videx Security Ltd.
Unit 4-7 Chillingham Industrial Estate
Newcastle Upon Tyne
NE6 2XX
Tel: 0870 300 1240
Fax: 0191 224 5678

Southern Office
1 Osprey
Trinity Park
Trinity Way
London
E4 8TD
Tel: 0870 300 1240

Technical Support
tech@videxuk.com
Tel: 0191 224 3174
Fax: 0191 224 4938
www.videxuk.com

