

Art.275 PABX Interface



TECHNICAL MANUAL
EDITION 1.0


VIDEX
The Power to Secure

DESCRIPTION

The Art.275 interface enables a Videx intercom panel to be connected to an analogue extension port of a telephone switchboard (PABX). The unit simply connects via two wires to a free extension port allowing the intercom panel to call any other extension or hunt group. When a button is pressed on the intercom panel, the relevant extension(s) will ring and once answered will allow a two way conversation and the opening of the door by pressing 9 on the telephone keypad. The Art.275 can connect directly to a one call button intercom panel or with the use of the Art.275-10 interface an intercom with up to 10 call buttons can be connected. In conjunction with the 275-10 to enable reassurance tones at the entrance panel the 275-Z (For use with 4838 or 136 speaker units) or the 275-D (For use with 4837 or 8837M speaker units) should be used. The 275-Z and 275-D each connect to up to 5 buttons (two should be used per panel when there are more than 5 buttons). A special version Art.275/2W is available to be used with VX2200 and VX2300 digital systems. In this case you cannot use the Art.275-10 and the relevant bus interface device will be needed (2280 for the VX2200 system or 2380 for the VX2300 system).

OPERATION

To answer a call, from the ringing extension, pick up the handset.

During the conversation press:-

Key	Function
9	Open the door
0	To end the call

To make a call to the intercom panel without first being called, pick up one of the extensions and dial the extension number which is connected to the Art.275. The Art.275 will answer the call and enable the functions described above (This feature is not available on the 275-2W).

PROGRAMMING

Follow these steps to enter programming mode:

- Remove the Jumper “SEL” from the Art.275.
- From any extension using a tone dial telephone, dial the extension of the Art.275 and wait for the call to be answered.
- You are now in programming mode.
- Program the functions listed on the following pages.
- Press the # button to confirm the new settings and await a confirmation tone.
- After completing the settings it is important to follow these steps to store the new settings.
 - **Hang up the telephone handset from which you have called the Art.275.**
 - **Disconnect the power supply from the Art.275.**
 - **Fit the jumper “SEL” then reconnect the power supply to the Art.275.**

Function code 1 (Storing the telephone number to call)

1nt#

Where **n** = the button number 1-9 or 0 for button ten and **t** is the telephone number which can be 1-16 digits.

Example: Button 1 calling extension 305 – 11305#
 Button 4 calling extension 700 – 14700#

Function code 3 (Door open time)

3n#

Where **n** is as follows:-

n	Door open time
0	2 Seconds
1	5 Seconds
2	10 Seconds
3	15 Seconds
4	20 Seconds
5	25 Seconds
6	30 Seconds
7	35 Seconds
8	40 Seconds
9	45 Seconds

Default setting is 0 (2 seconds)

Function code 4 (Call time)

4n#

Where **n** is as follows:-

n	Call time
1	10 Seconds
2	20 Seconds
3	30 Seconds
4	40 Seconds
5	50 Seconds
6	60 Seconds
7	70 Seconds
8	80 Seconds
9	90 Seconds

Default setting is 3 (30 seconds)

Function code 5 (Call delay time)

To be used only when there is an intercom telephone in parallel with the Art.275. Set the delay time to allow a call to be answered by the intercom telephone and only call the PABX extension if that call is not answered within the set delay time (Cannot be used with the 275-10 interface).

Art.275 PABX INTERFACE



5n#

Where n is as follows:-

n	Call delay time
0	3 Seconds
1	7 Seconds
2	11 Seconds
3	15 Seconds
4	19 Seconds
5	23 Seconds
6	27 Seconds
7	31 Seconds
8	35 Seconds
9	39 Seconds

Default setting is 0 (3 seconds)

JUMPER SETTINGS

	LEFT POSITION	RIGHT POSITION
S1	Outdoor station is 4+1	Outdoor station is 1+1
S2	Call trigger is positive or AC signal for systems without the 275-10 interface	Call trigger is negative waveform from the 275-10

VOLUME SETTINGS

In addition to the volume settings on the door panel there are two trimmers on the 275 from adjusting the Tx and Rx speech volumes.

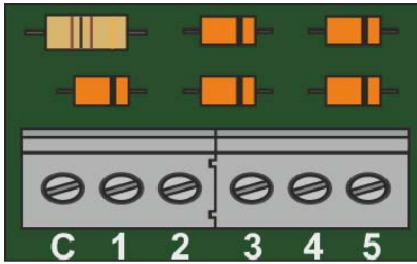
P1	Speech volume towards the telephone
P2	Speech volume towards the door

TECHNICAL SPECIFICATION

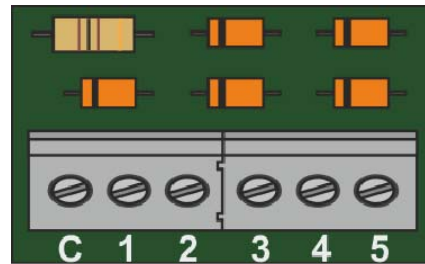
Working voltage	:	12Vdc \pm 10%
Stand-by absorption	:	approx 50mA
Max. absorption	:	approx 200mA
Working temperature	:	-10 +50 °C

DIODE WIRING HARNESS

Systems incorporating 2 or more call buttons (when using the 275-10) require the relevant diode wiring harness depending on the amplifier type used. These harnesses allow connectivity for up to 5 buttons each. Systems with more than 5 buttons require a second harness.



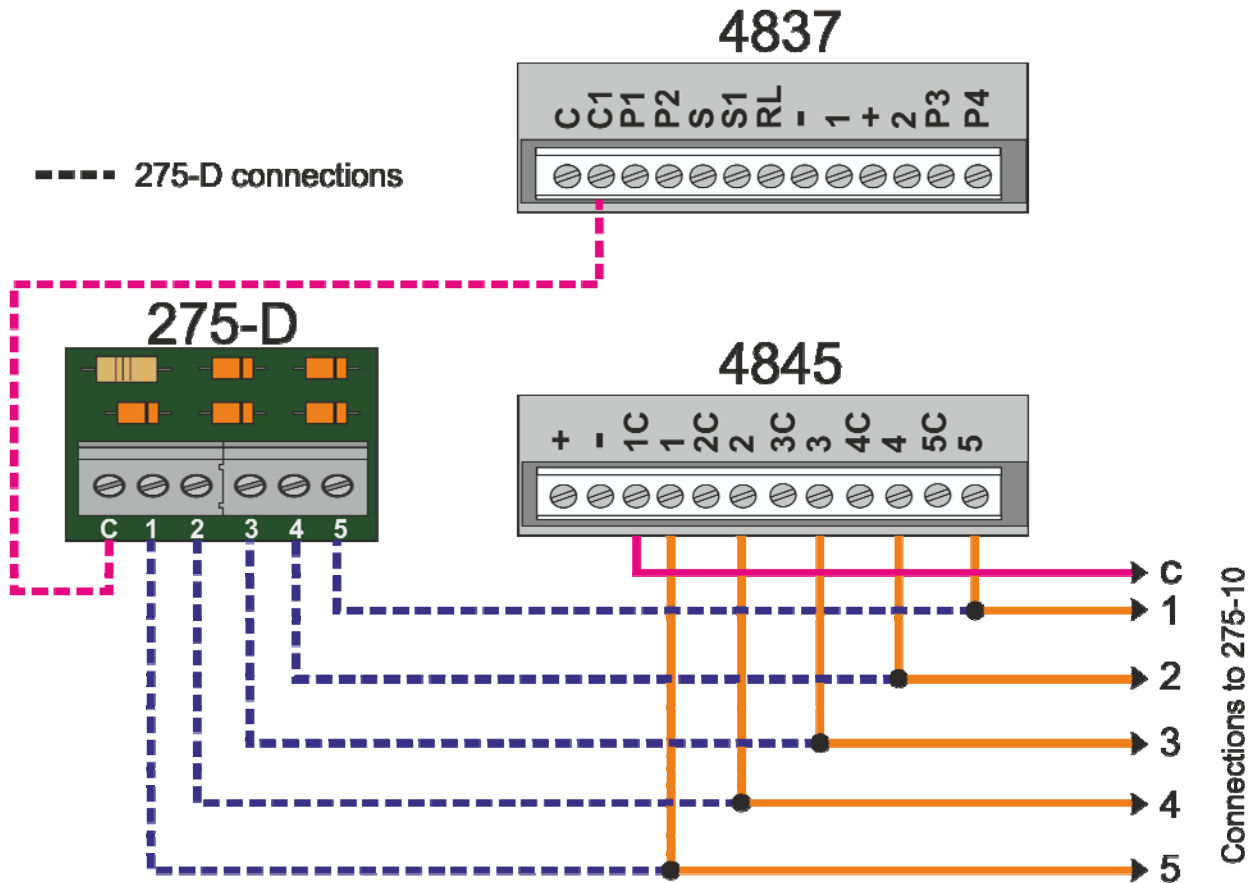
275-D



275-Z

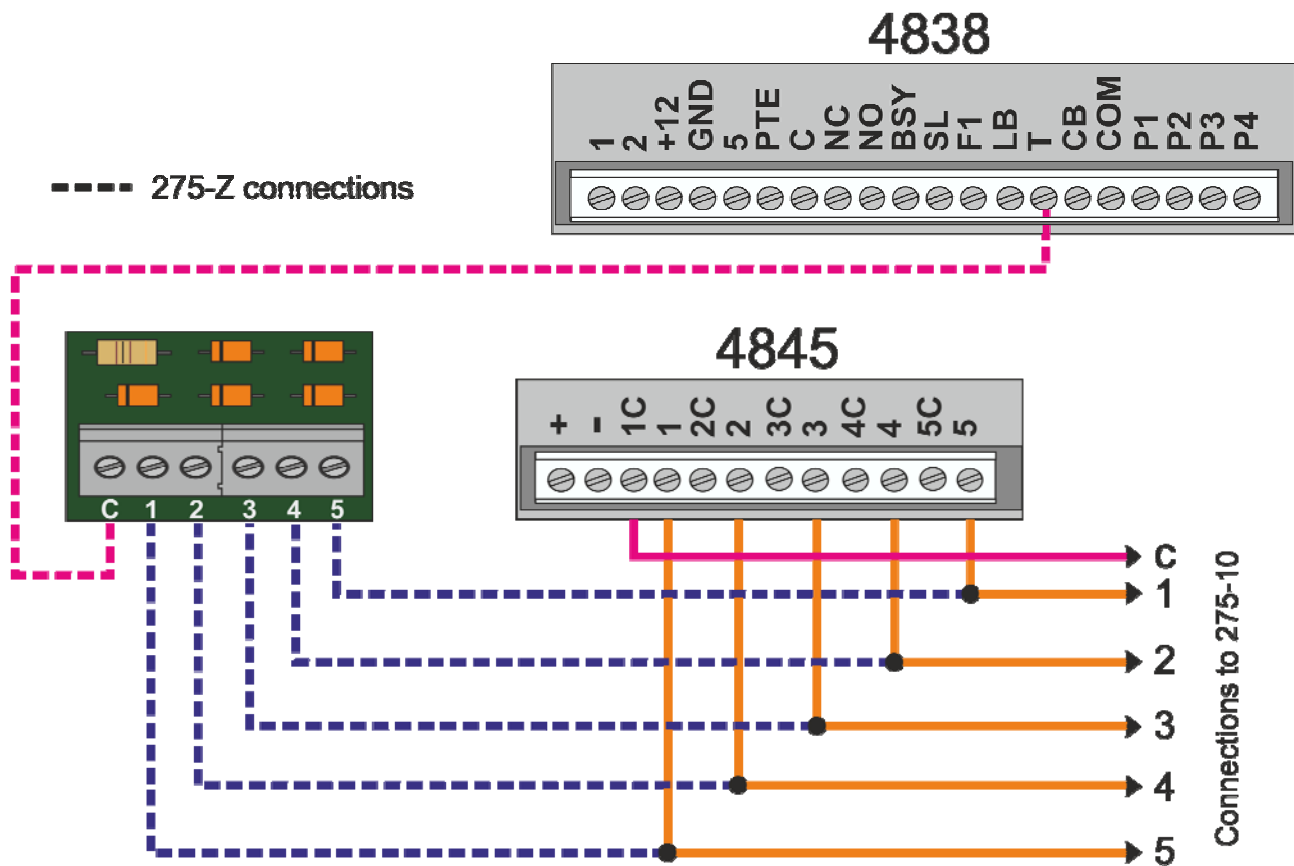
275-D Connectivity

The 275-D wiring harness is used with 4837 and 8837M amplifiers.



275-Z Connectivity

The 275-Z wiring harness is used with 4838 and 136 amplifiers.



275-2W

The Art.275-2W is for use on VX2200 and VX2300 digital systems and requires the relevant BUS interface device. Programming is the same as the Art.275 although it is limited to 1 call button and therefore does not require the Art.275-10 expansion module or diode harness (275-D / 275-Z).

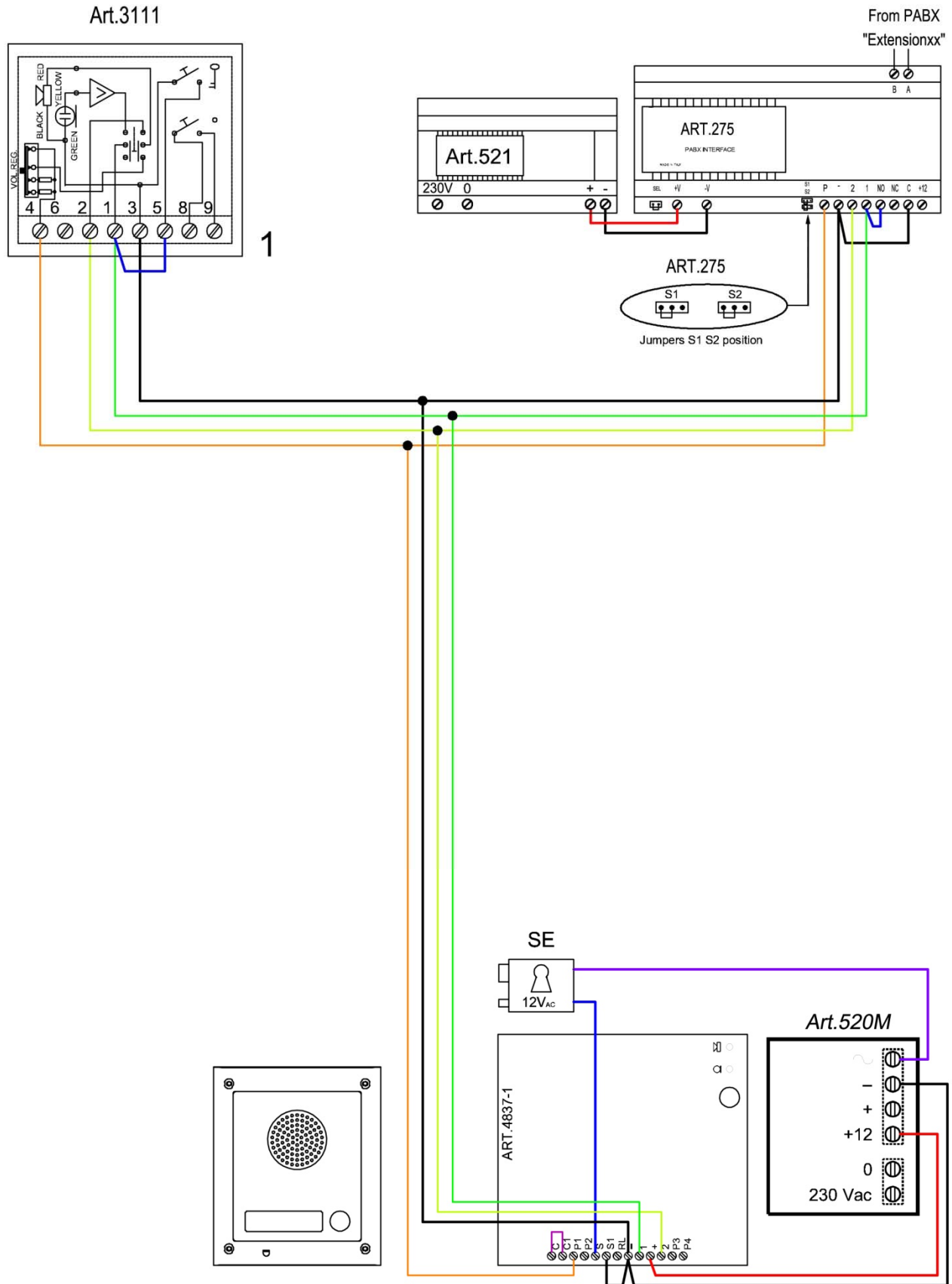
VX2200 System Parts

- Art.275-2W - 2 Wire PABX Interface
- Art.2280 - BUS Interface for VX2200
- Art.521 - 12Vdc PSU

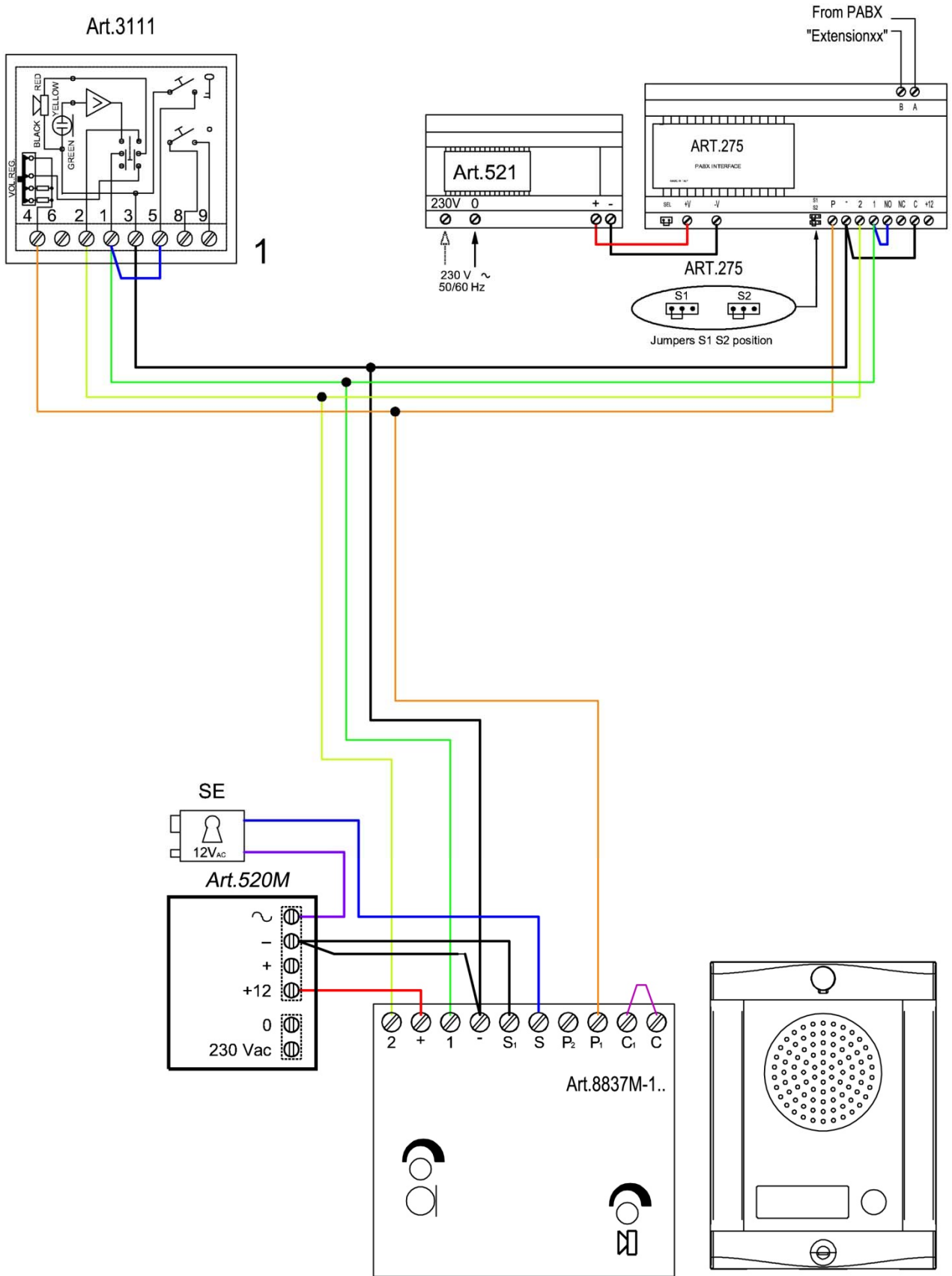
VX2300 System Parts

- Art.275-2W - 2 Wire PABX Interface
- Art.2380 - BUS Interface for VX2300
- Art.521 - 12Vdc PSU

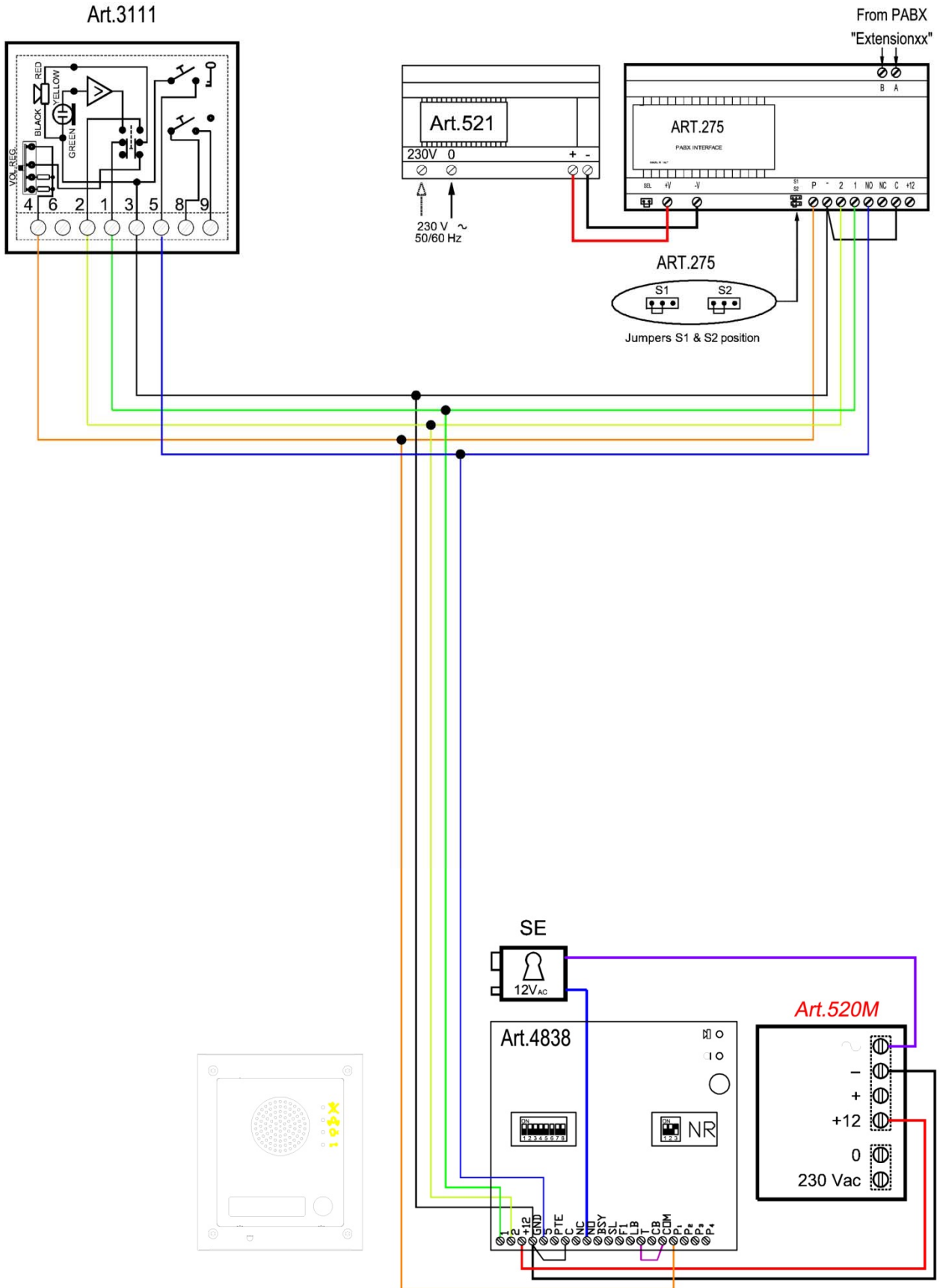
Art.275 PABX INTERFACE



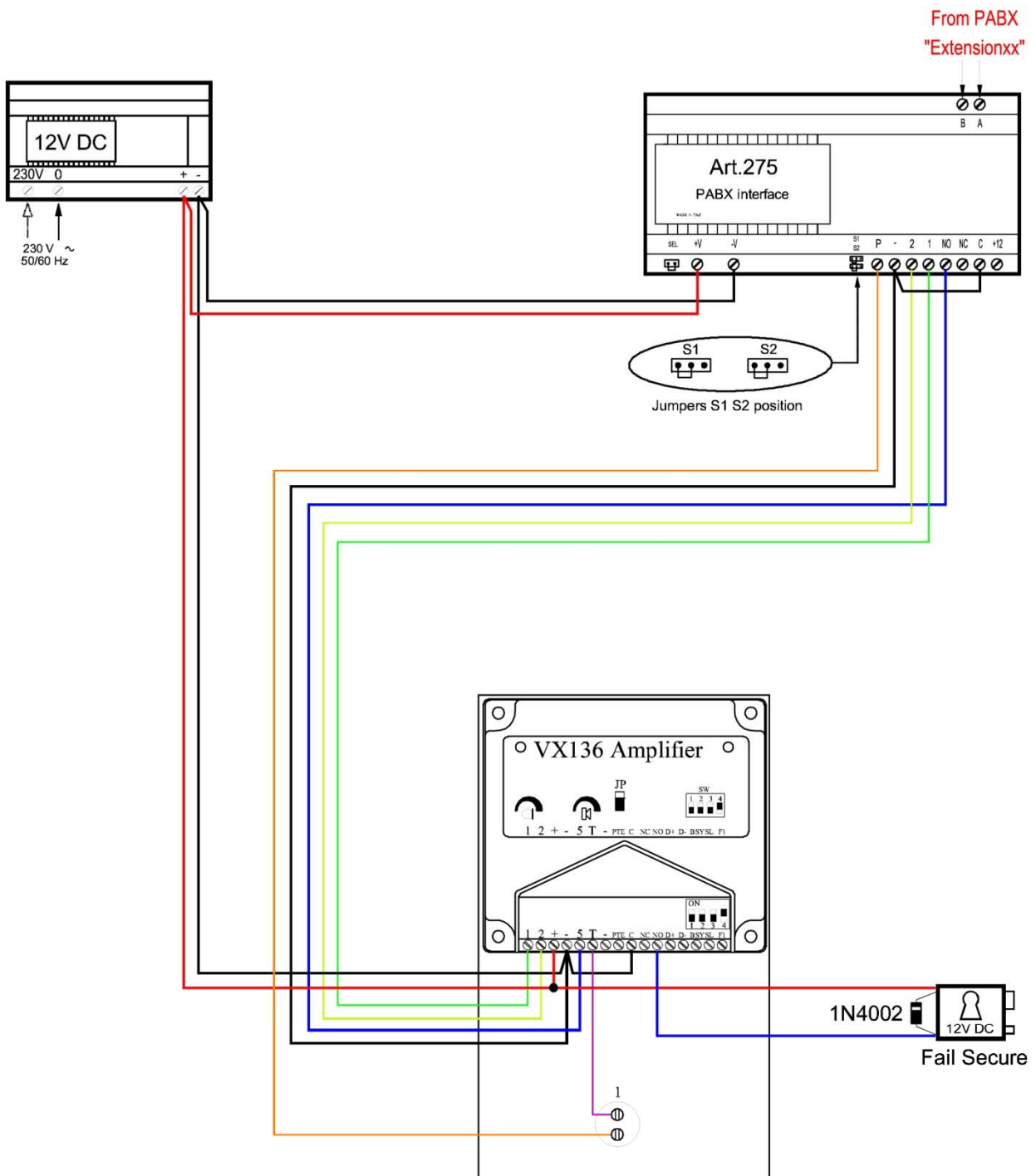
Art.275 PABX INTERFACE



Art.275 PABX INTERFACE



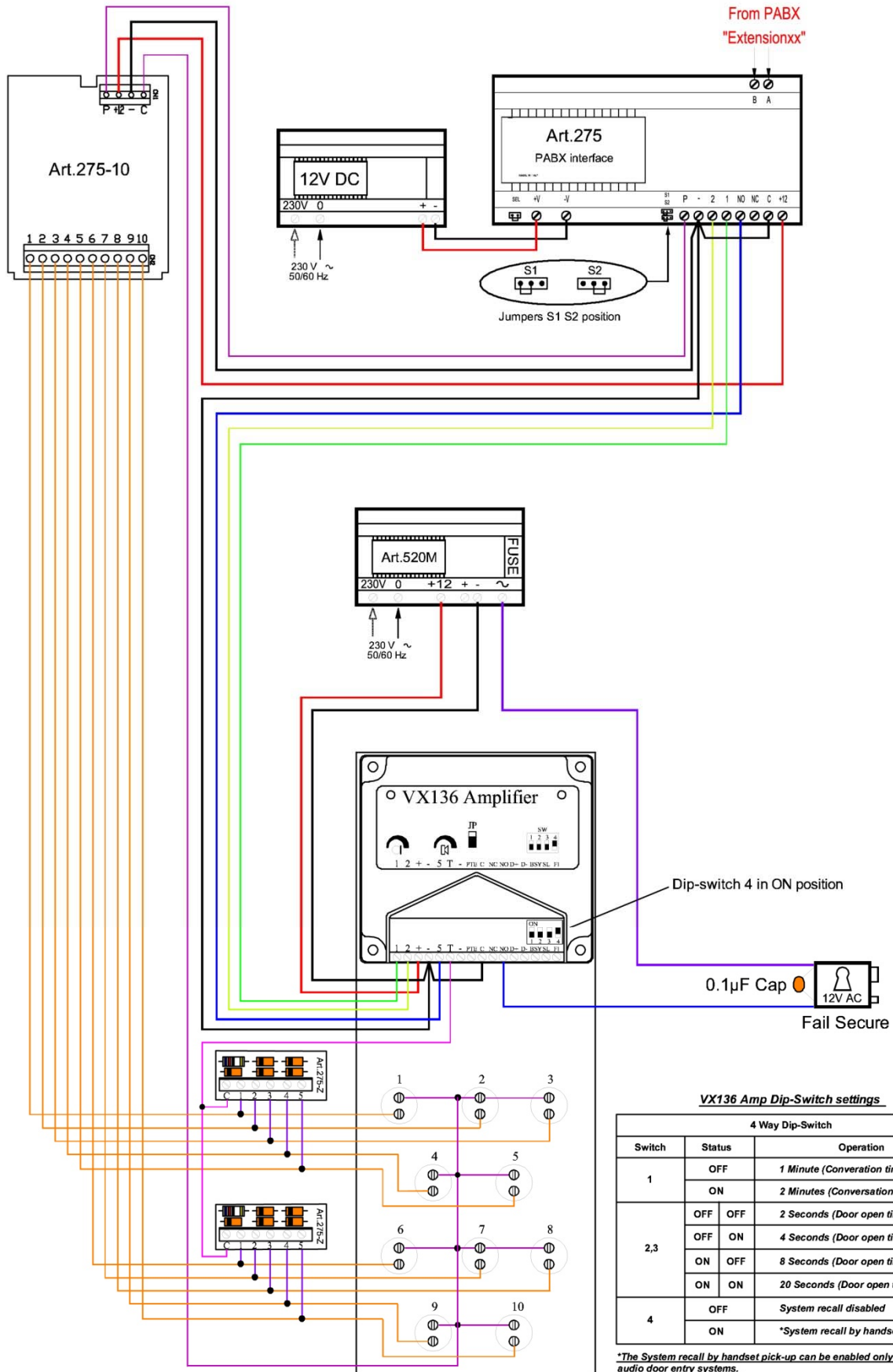
Art.275 PABX INTERFACE



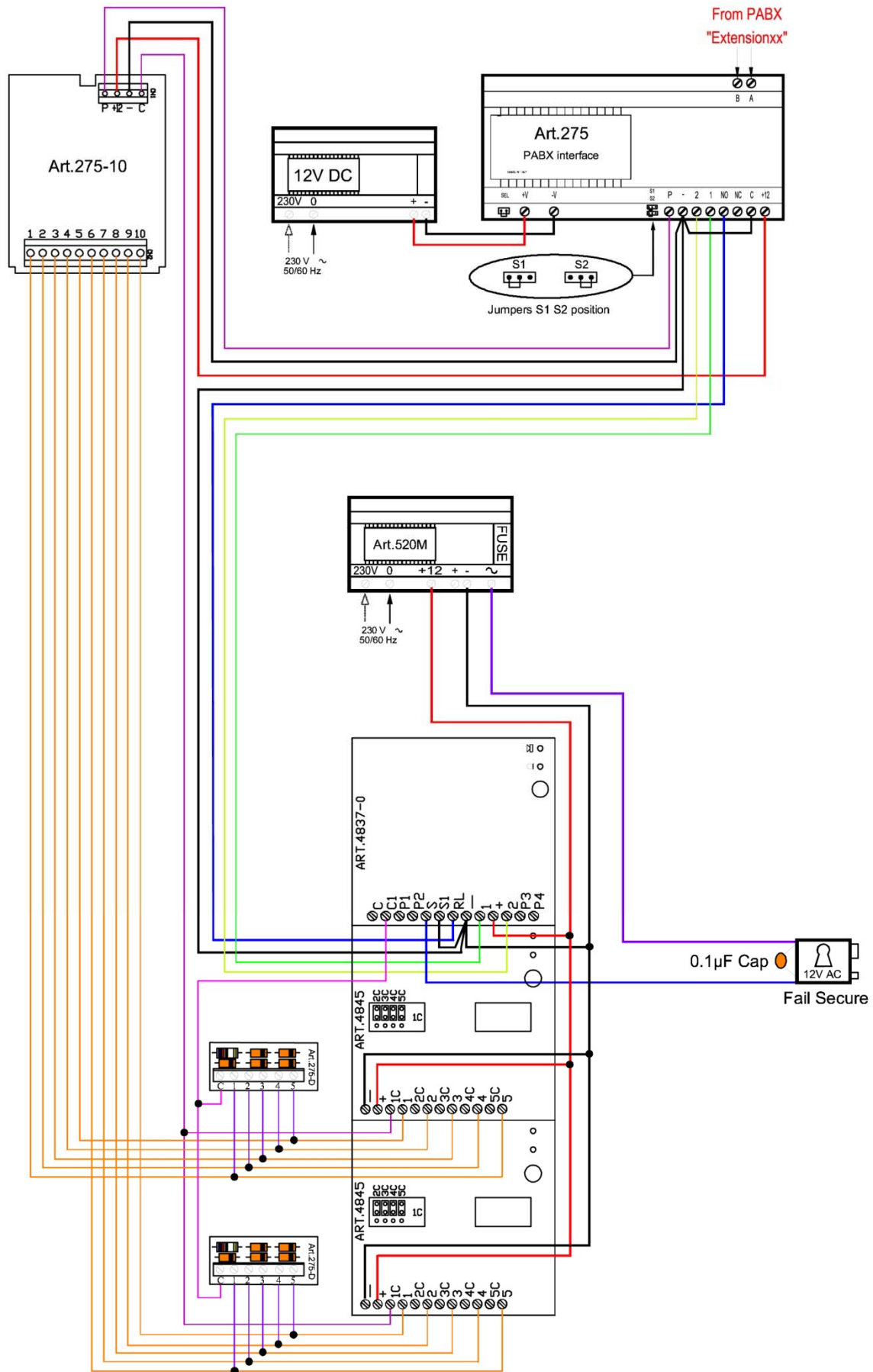
VX136 Amp Dip-Switch settings

4 Way Dip-Switch			
Switch	Status	Operation	
1	OFF	1 Minute (Conversation time)	
	ON	2 Minutes (Conversation time)	
2,3	OFF	OFF	2 Seconds (Door open time)
	OFF	ON	4 Seconds (Door open time)
	ON	OFF	8 Seconds (Door open time)
	ON	ON	20 Seconds (Door open time)
4	OFF	System recall disabled	
	ON	*System recall by handset pick-up	

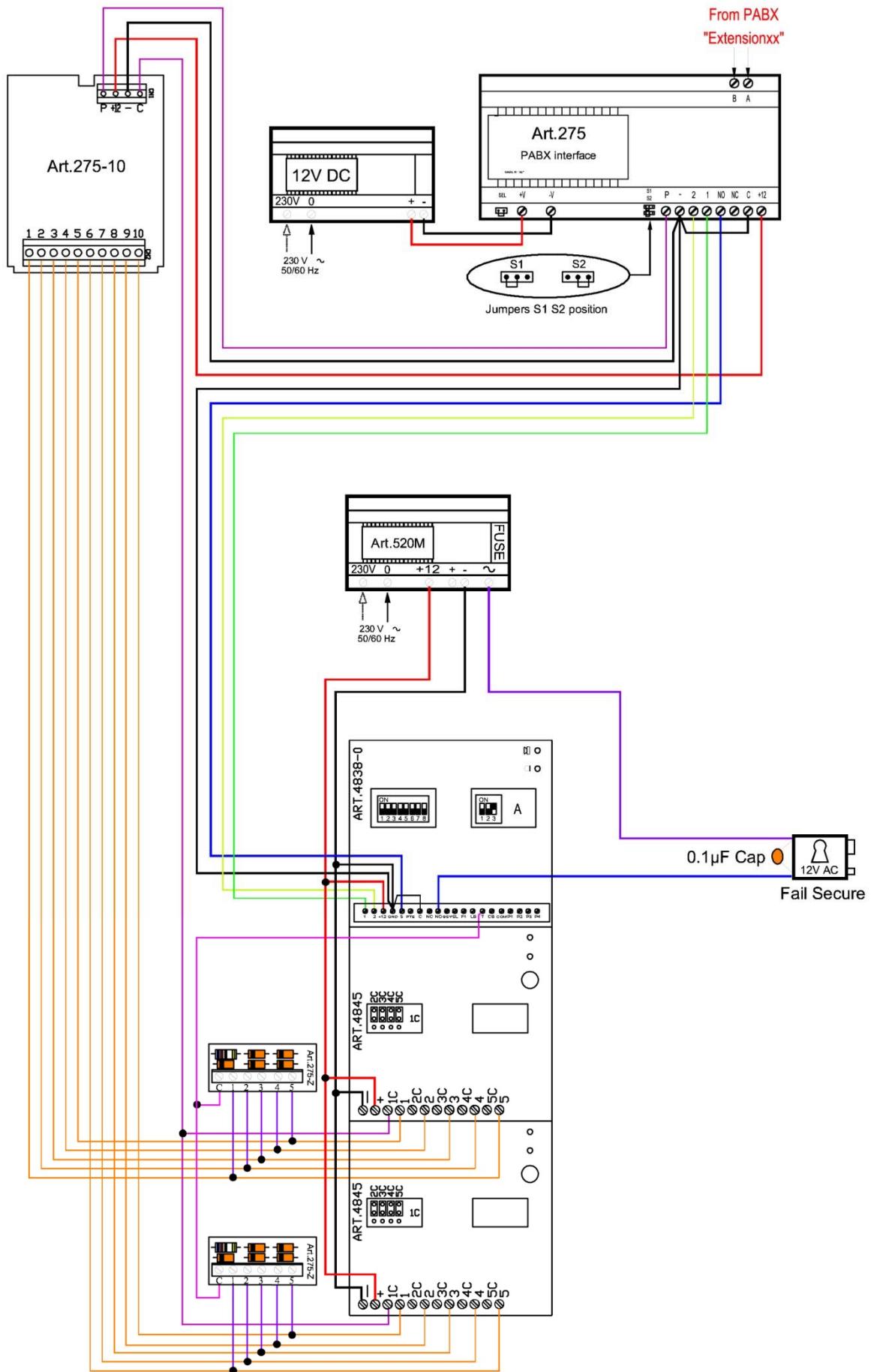
**The System recall by handset pick-up can be enabled only on one entrance audio door entry systems.*



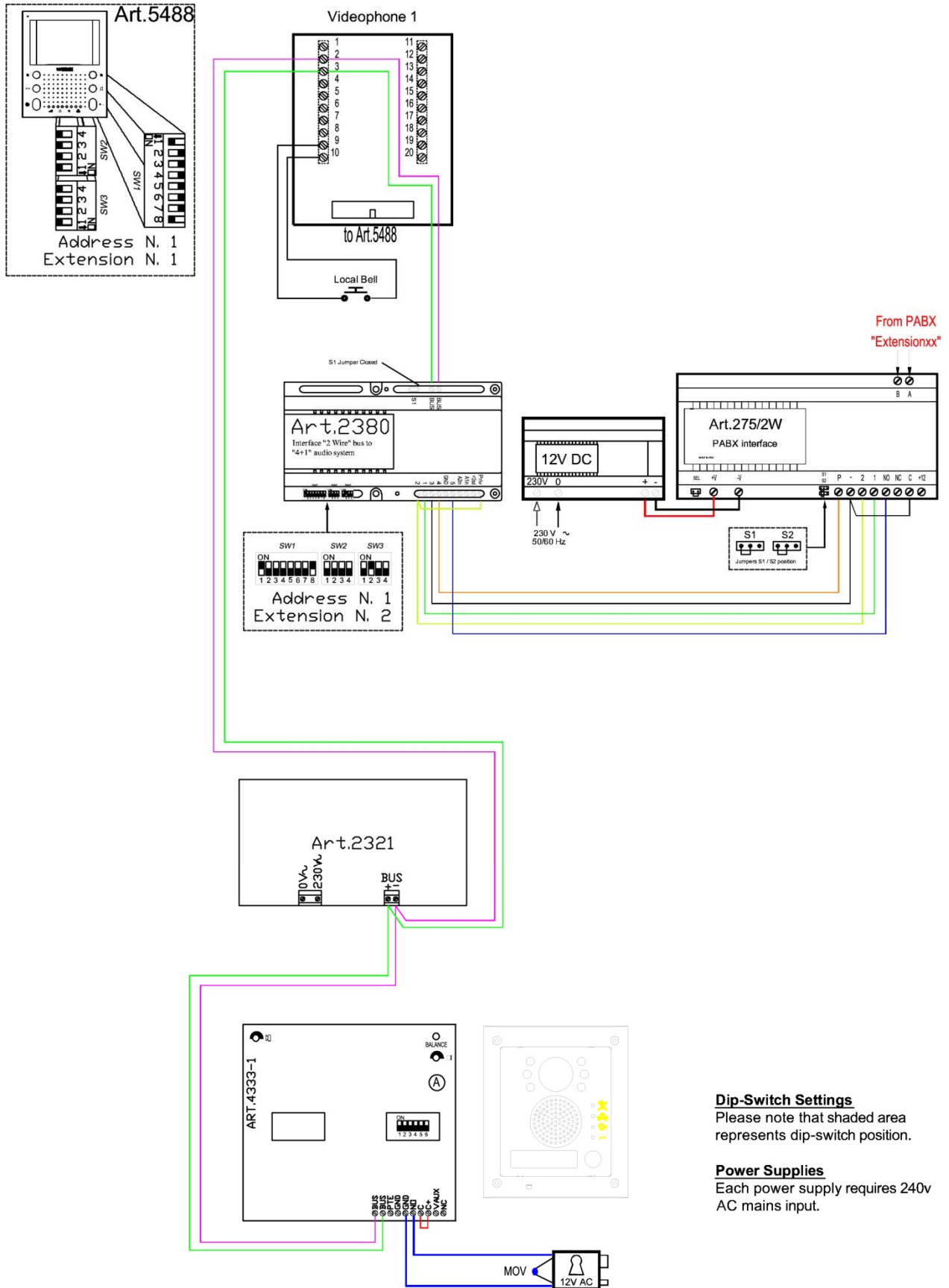
Art.275 PABX INTERFACE



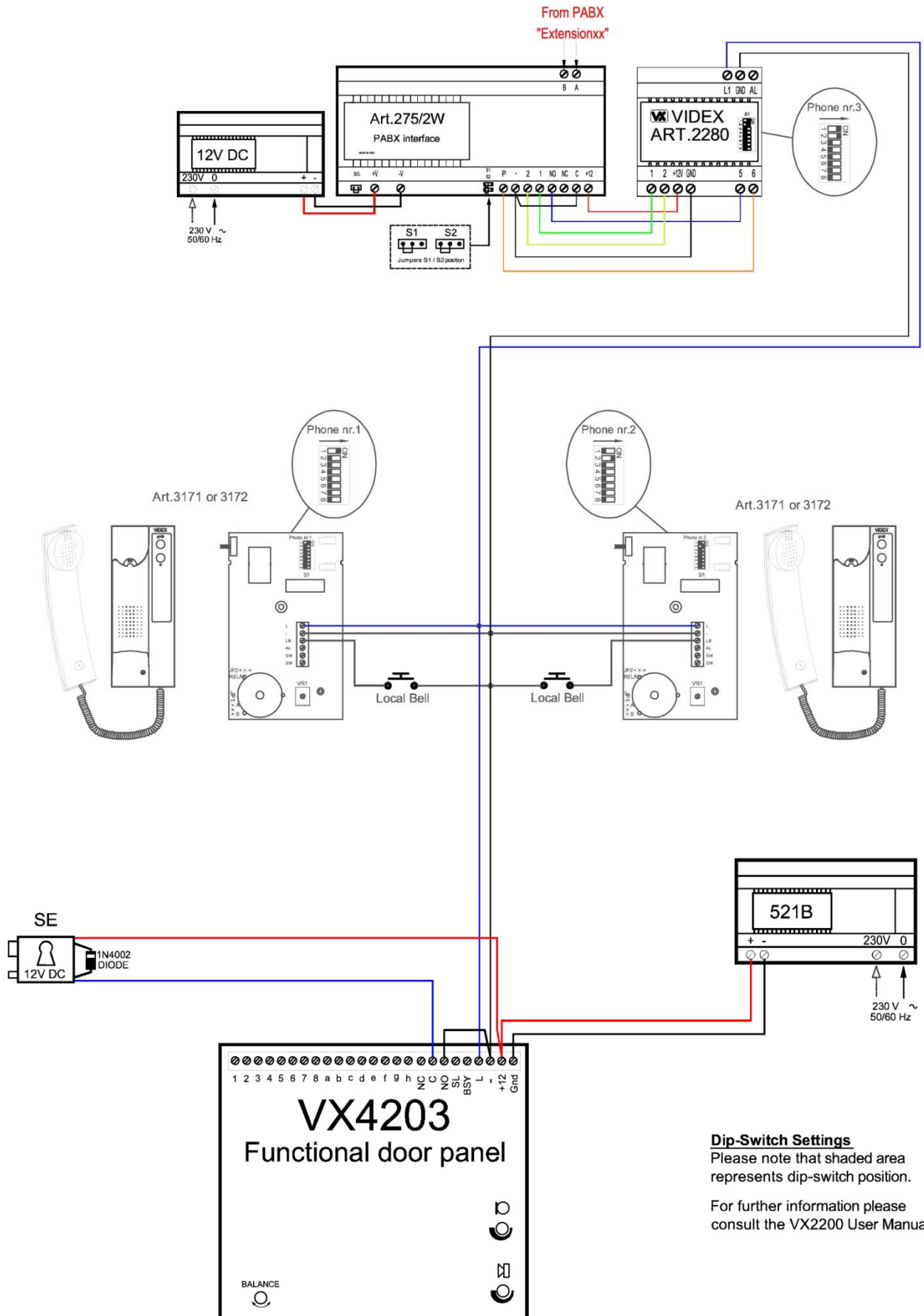
Art.275 PABX INTERFACE



Art.275 PABX INTERFACE



Art.275 PABX INTERFACE



Dip-Switch Settings
 Please note that shaded area represents dip-switch position.
 For further information please consult the VX2200 User Manual.

