

UMD300 Series

High Resolution Internal Dome Cameras



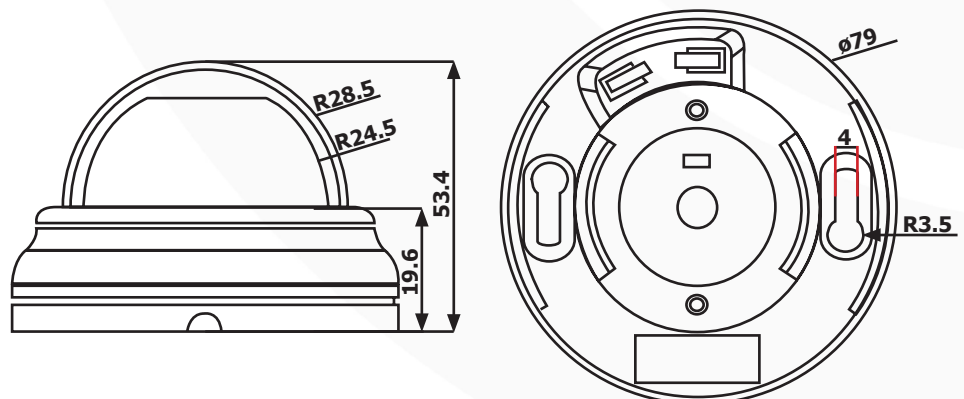
UMD300B

UMD300W

Key Features

- 1/3" Colour CCD
- Internal Micro Dome Camera
- Ø57mm Dome Cover
- 620TVL – High Resolution
- 3.6mm Lens
- Minimum Illumination 0.03Lux
- Digital Noise Reduction (DNR)
- DC12V Only
- Black or White Housing Options

Dimensions (mm)



DATASHEET

www.geniecctv.com
sales@geniecctv.com
T: +44 (0) 1707 330 541
F: +44 (0) 1707 330 543

Genie CCTV Ltd.
CCTV House, City Park,
Watchmead,
Welwyn Garden City,
Hertfordshire,
AL7 1LT,
United Kingdom

Technical Specification

Model Number	UMD300B	UMD300W
Image Sensor	1/3" Colour CCD	
Total Pixels	PAL : 795 (H) x 596 (V)	
Effective Pixels	PAL : 752 (H) x 582 (V)	
Scanning System	2:1 Interlaced	
Lens	3.6mm	
Scanning Frequency	H: 15.625 Hz / V: 50 Hz (PAL)	
S/N Ratio	More than 50dB	
Horizontal Resolution	620TV Lines	
Video Output Level	1.0 Vp-p (75Ω, Composite)	
Minimum Illumination	0.05Lux (50IRE@F1.2)	
Electronic Shutter Speed	Auto - PAL: 1/50 Sec ~ 1/100,000 Sec	
AGC	Middle	
White Balance	ATW (Auto Tracking White Balance)	
Digital Noise Reduction	On	
Day & Night	Colour Only	
Supplied Voltage	DC12V ±10%	
Power Consumption	Max. 1.0W (80mA)	
Dimensions (ø x H)	ø79 x 53.4 mm	
Weight	93g	

Features and specifications are subject to change for further improvement without any notice

DATASHEET

Accessories

- **FILTERKIT4** - Filter Set Up Kit
- **GMPC12** - DC12V Power Connector Jack (Male) To Terminal Block
- **GFPC12** - DC12V Power Connector Jack (Female) To Terminal Block
- **PSU1SM** - In-Line DC12V 1A Output, Regulated Switch Mode PSU, with Fixing Mount

www.geniecctv.com
 sales@geniecctv.com
 T: +44 (0) 1707 330 541
 F: +44 (0) 1707 330 543

Genie CCTV Ltd.
 CCTV House, City Park,
 Watchmead,
 Welwyn Garden City,
 Hertfordshire,
 AL7 1LT,
 United Kingdom