

Door Entry Direct

ES2600 Series Monitored Electric Strike

General Description

The ES2600 Series surface mounted electric strikes are high security products manufactured from solid stainless steel and designed to be used with existing and new panic bars fitted to emergency doors.

When used in conjunction with a standard access control system, these strikes convert “Exit only” doors with “Pullman type” latches into a full access controlled door, thereby allowing authorised access from the secure side.

The ES2600 series are fully monitored with both solenoid and latch/door monitoring functions & can be changed from fail safe to fail secure on site.

Key Features

- Fail safe/fail secure changeable on site
- High security
- Available in 12 or 24Vdc
- 650kg holding force
- 1 million cycles endurance rating
- Body depth only 27mm
- Cast stainless steel body
- Low current consumption - max 175Ma @ 12Vdc
- Continuously rated solenoid
- Installation template
- Australian designed and made
- **TRIBRE** 5 Year Warranty

Applications

- For use with panic bars
- Surface mount
- Egress doors
- Fire rated door sets
- Open out door sets
- Suitable for use with all access control systems



Standards and Compliance



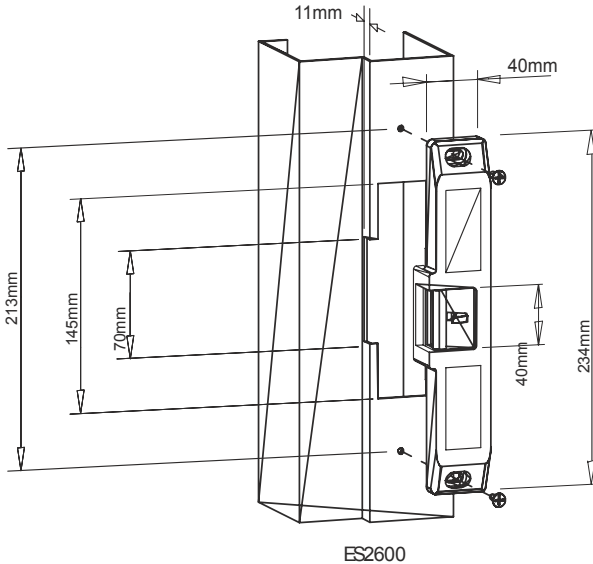
Approved to UL1034 (highest level)



CE Approved

Door Entry Direct

ES2600 Series Monitored Electric Strike



ES2600 Technical Information

| | |
|---------------|--|
| Voltage | 12 or 24Vdc |
| Current | 175 mA @ 12Vdc - 88 mA @ 24Vdc |
| Solenoid | Solenoids are rated for continuous use. |
| Monitoring | Solenoid Monitor - 1 amp NO/NC microswitch Door/Latch Monitor - 1 amp NO/NC microswitch |
| Holding Force | 650kg Static Strength Rating |
| Endurance | Cycle tested to 1,000,000 operations |
| Additional | Anti friction roller (patented) Suits panic bars with 15 to 20mm Pullman latch projection |
| Environment | Operational temperature range -20°C to +60°C |
| Body | Solid Stainless Steel Construction |
| Keeper | Stainless Steel |

Specification Statement

The strike should be constructed of solid stainless steel, have a minimum holding force of 650kg and have an endurance rating of 1 million cycles. Maximum penetration into the door frame should not exceed 12mm. The one strike must be changeable from fail safe to fail secure on site where required. The strike should not consume current greater than 175mA at 12Vdc and have a solenoid rated for continuous use. Certifications must include CE and C-Tick.

Ordering Information

| Product Description | Part Number |
|--|-------------|
| 12V Fail Safe with Roller Keeper for Panic Bar | 112601-000 |
| 12V Fail Secure with Roller Keeper for Panic Bar | 112602-000 |