

ES2000 Series Monitored Electric Strike

General Description

The ES2000 series electric strikes are fully monitored high security products manufactured from solid stainless steel and designed for use with all access control systems. The strikes are suitable for use with hinged doors which require either fire or security control as part of a building management system.

These strikes are flexible and can be changed from fail safe to fail secure, mounted on the left or right hand side of the door and are available in 12 or 24Vdc.

They offer a strong, dependable and long-lasting electric strike solution with a 850kg holding force and endurance rating of 1 million cycles.

Key Features

- Fully monitored –strike locked and door latched
- Fail safe/fail secure changeable on site
- High security
- 4 Hour fire rating
- 850kg holding force
- 1 million cycles endurance rating
- Cast stainless steel body
- Stainless steel locking pins
- SOEC Endorsed
- Low Current consumption - Max 175ma @12Vdc
- Solenoid rated for continuous use
- Mounting kit supplied as standard
- Australian designed and made
- **TR CARE** 5 Year Warranty

Applications

- High traffic areas
- Fire rated door sets
- Open in/open out doors
- Suitable for use with all access control systems

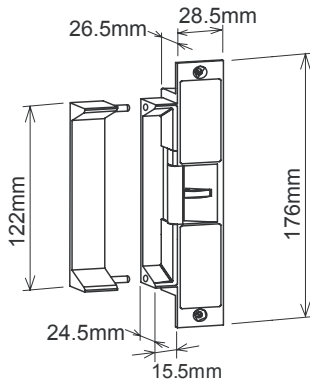


Standards and Compliance

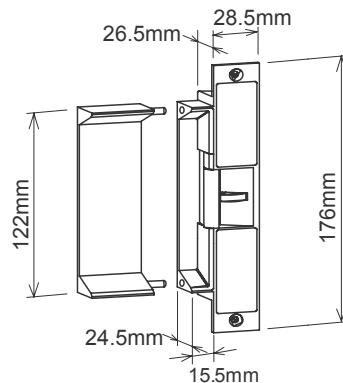
| | |
|-------------------------------------------------------------------------------------|--------------------------------------------------------------------------------------------------------------------------------|
| S3 | (Security) Australian Lock Standard (AS4145.2.1993) |
| D3 | (Durability) Australian Lock Standard (AS4145.2.1993) |
| BSI | BS5872 Approved |
|  | Successfully fire rated up to 4hrs on fire door assemblies in accordance with AS1905.1.2005 (Part 1: Fire resistant door sets) |
|  | Approved to UL1034 (highest level) |
|  | CE Approved |
|  | C-Tick Certified |
| | SOEC endorsed for secure areas |

Door Entry Direct

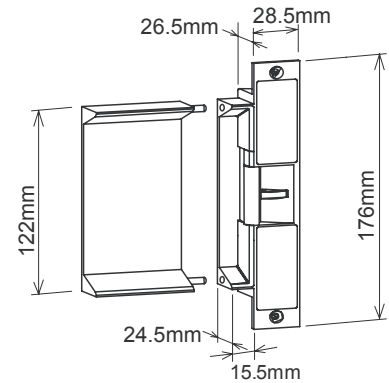
ES200 Series Electric Strike



ES200 with 25mm Extension Lip



ES200 with 50mm Extension Lip



ES200 with 75mm Extension Lip

ES200 Technical Information

| | |
|---------------|------------------------------------------------|
| Voltage | 12 or 24Vdc |
| Current | 175 mA @ 12Vdc - 88 mA @ 24Vdc |
| Solenoid | Solenoids are rated for continuous use. |
| Monitoring | None |
| Holding Force | 850kg Static Strength Rating |
| Endurance | Cycle tested to 1,000,000 operations |
| Latch | Suitable for 15mm latch bolt with 3mm door gap |
| Environment | Operational temperature range -20°C to +60°C |
| Body | Solid Stainless Steel Construction |
| Keeper | Stainless Steel |

Specification Statement

The strike should be constructed of solid stainless steel, have a minimum holding force of 850kg and have an endurance rating of 1 million cycles. The one strike must be changeable from fail safe to fail secure on site where required. The strike should not consume current greater than 175mA at 12Vdc and have a solenoid rated for continuous use. Certifications must include CE, C-Tick and 4 hr fire rating.

Ordering Information

| Product Description | Part Number |
|-------------------------------------------------------|-------------|
| 12V Fail Safe Electric Strike | 110201-000 |
| 12V Fail Safe Electric Strike with No Extension Lip | 110201-010 |
| 12V Fail Secure Electric Strike | 110202-000 |
| 12V Fail Secure Electric Strike with No Extension Lip | 110202-010 |
| 24V Fail Safe Electric Strike | 110203-000 |
| 24V Fail Secure Electric Strike with No Extension Lip | 110203-010 |

Accessories

| Product Description | Part Number |
|---------------------|-------------|
| 25mm Extension Lip | 220200-505 |
| 12V Solenoid | 220200-513 |
| Mounting Kit | 220200-519 |