

# Door Entry Direct

## ES100 Series Electric Strike

### General Description

The ES100 is a cost efficient robust electric strike with a solid construction of one-piece cast aluminium body and stainless steel striker. The ES100 offers the same level of security and reliability usually provided by more expensive electric locking solutions.

Extension lips are available to accommodate the installation of electric strikes on door frames with different thickness. The ES100 product range of patented electric strikes are suitable for use with all access control installations where flexibility, security and lower cost are required.

### Key Features

- Fail safe/fail secure changeable on site
- Stainless steel striker for extra strength and durability
- Stainless steel locking pins
- Available in 12 or 24Vdc
- Optional mounting kit
- Installation template
- IP56 weather resistant version available
- Suitable For 15mm latch with a 3mm door gap
- Australian designed and made
- **TR CARE** 5 Year Warranty

### Applications

- Exposed areas (weather resistant models)
- High traffic areas
- Open in/open out doors
- Suitable for use with all access control systems



### Standards and Compliance



Successfully fire rated up to 4hrs on fire door assemblies in accordance with AS1905.1. 2005 (Part 1: Fire resistant door sets)



Approved to UL1034 (highest level)

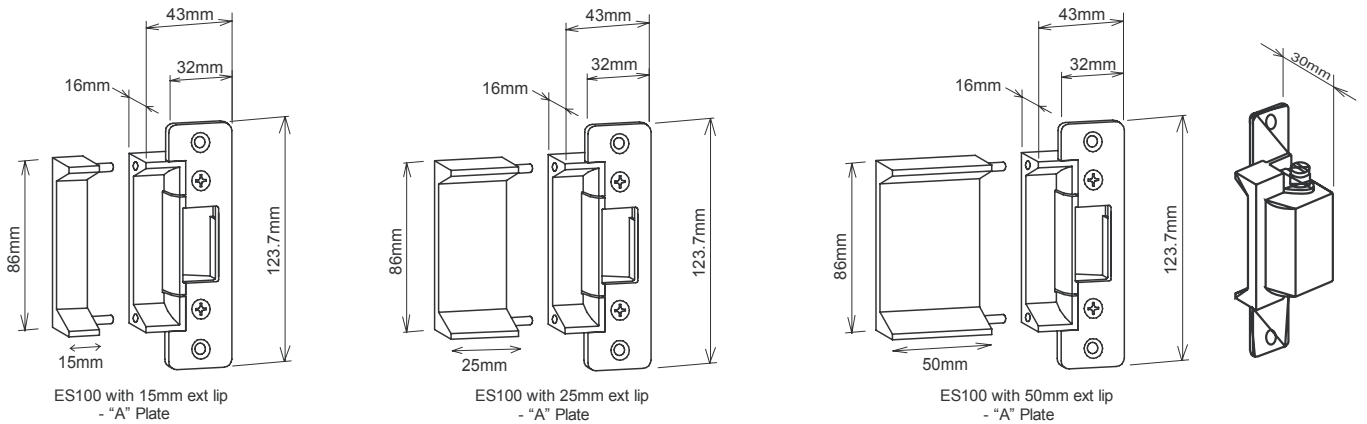


CE Approved

Weather Resistant Version (IP56) available

# Door Entry Direct

## ES100 Series Electric Strike



### ES100 Technical Information

Voltage	12 or 24Vdc
Current	243 mA @ 12Vdc – 187mA @ 24Vdc
Solenoid	Solenoids are rated for continuous use.
Monitoring	None
Holding Force	680 kg Static Strength Rating
Endurance	Cycle tested to 1,000,000 operations
Environment	Operational temperature range -20°C to +60°C Weather resistant construction available. (IP56)
Body	Cast Aluminium Construction
Keeper	Stainless Steel

### Specification Statement

Where Power to Lock and Power to Open functions may be required in the same building, the strike must be interchangeable from either "Power to Lock" or "Power to Open" on site.

The electric strike should not consume current greater than 243mA @ 12Vdc or 187mA @ 24Vdc and have a solenoid suitable for continuous use. Certifications must include CE, C-tick and 4hr fire rating.

The strike should have a minimum holding force of 680kg, and an endurance rating of 1 million cycles.

### Ordering Information

Product Description	Part Number
12V Electric Strike	
12V Fail Safe Aluminium Faceplate (A)	110101-010

Note: For additional face plate options see page 10.

### Accessories

Product Description	Part Number
Mounting Kit	220200-518
Pins-spring-stopkit (x5)	200110-100