



INSTRUCTION MANUAL

TPC 8922 Series

**INFRARED DAY/ NIGHT CCD CAMERA
with WDR & OSD**



FC CE

IP66 RoHS

CAUTION:
 TO REDUCE RISK OF FIRE OR ELECTRIC SHOCK, DO NOT REMOVE COVER.
 NO USER SERVICEABLE PARTS INSIDE.
 REFER SERVICING TO QUALIFIED SERVICE PERSONNEL.

UNPACKING:
 Unpack carefully. Electronic components can be damaged if improperly handled or dropped. If an item appears to have been damaged in shipment, place it properly in its carton and notify the shipper.

1. Do not disassemble the camera.

Do not disassemble the camera unit as it is dangerous and may cause the damage to the camera. Refer all servicing to qualified service personnel.

2. Handle the camera with care.

Be careful when handling the camera. In order to prevent any damages to the camera, do not drop or subject it to strong shock or vibration.

3. Do not install the camera near electric or magnetic fields.

When installing the camera, keep away from TV sets, radio transmitters, magnets, electric motors, transformer, audio speakers because the magnetic fields generated from these devices may distort the camera video image.

4. Cleaning

Use a soft lint free cloth to remove the dirt from the unit. Use lens tissue or a cotton tipped applicator with ethanol to clean the camera lens.

5. Never face the camera directly toward the sun or other intense lighting.

Direct sunlight will damage the camera CCD.

IMPORTANT NOTE:

1.Read and follow Instructions: All operating and user instructions should be read and followed before the unit is to be operated.

2.Electrical Connections: Only a qualified electrician should make the electrical connections.

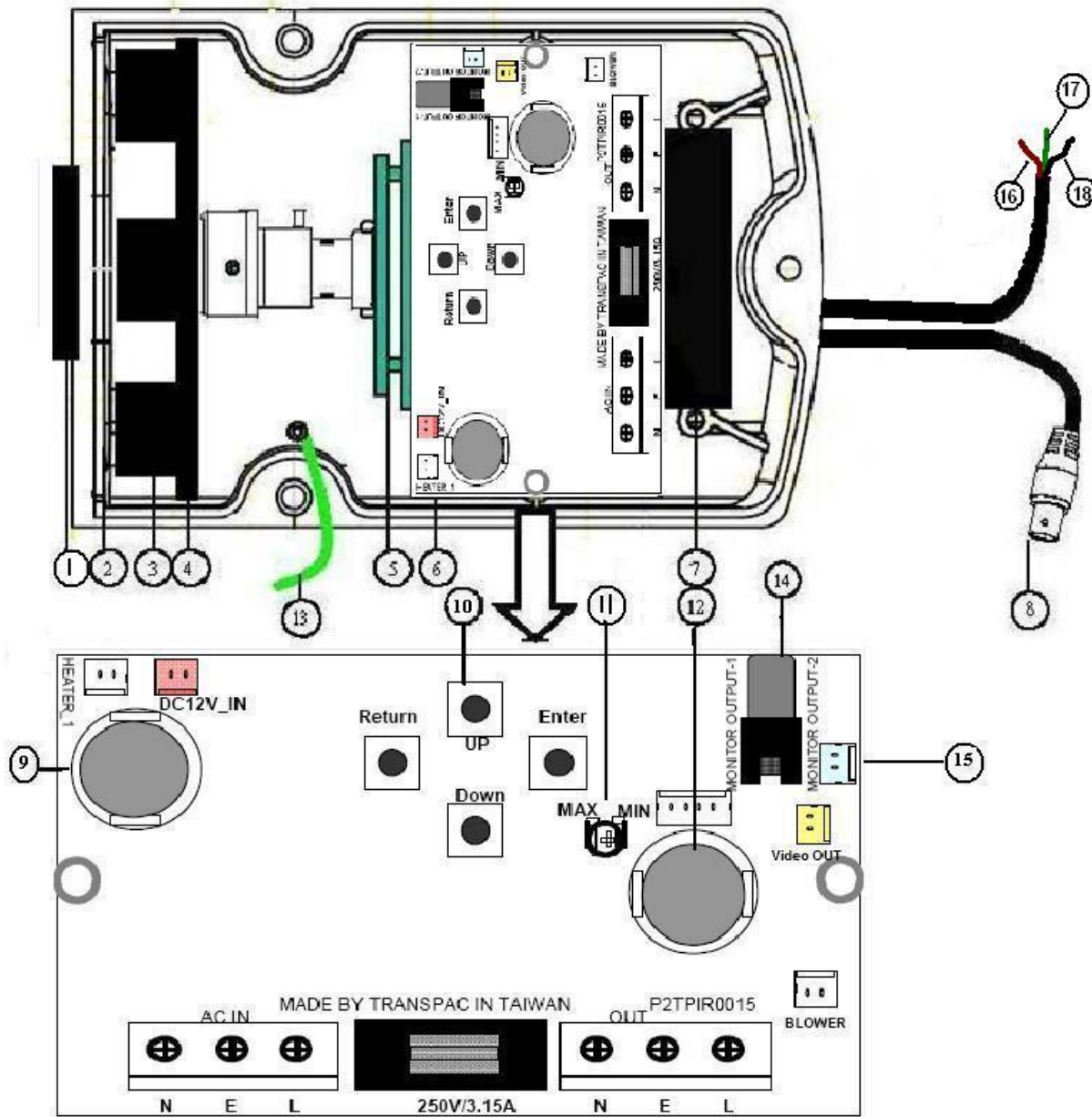
Model	TPC-8922/24	TPC-8922/240
IR Maximum Range (in ideal conditions)	60m	
LED Quantity	6 pieces	
IR Light ON/OFF	Photo Diode Sensor Control	
Infrared Beam Angle	25° or 45°	
Power Input	AC24V (+/-10%) □	AC90~240V (+/-10%) □
Power Consumption	800mA (Max. IR 's On)	800mA (Max. IR 's On)
Heater Control	18°C (On) / 28°C (Off)	
Blower Control	35°C (On) / 25°C (Off)	
Environmental Operation Temp.	-40°C ~ +50°C	
Ingress Protection Level	IP66	
Temper Glass Thickness	4mm	
Mounting Bracket	Fully Cable Managed	
Construction	Die-Cast Aluminum Alloy	
Coating	Ivory Powder Stove	
Camera Space	215 (L) x 120 (W) x 115 (H) mm	
Net Weight	3350 gm	

CAMERA SPECIFICATIONS

INFRARED DAY / NIGHT CAMERA with WDR & OSD MANUAL

Model Number	TPC-8922/24	TPC-8922/240
Lens	Varifocal Manual & Auto IRIS IR Lens 9-22mm	
Lens Mount	Board Mount Back Focus Adjustment	
Image Device	1/3" Colour Sony Super HAD CCD Sensor	
Signal System	NTSC	PAL
Picture Elements	768 (H) x 494 (V)	752 (H) x 582 (V)
Horizontal Resolution	560 TV L (DAY) / 600 TV L (NIGHT)	
Rating Current	3.5A	
Video Output	VBS1 Vp-p at 75Ω/ITU 656	
AGC	Auto Gain 36dB	
Colour/Mono Switching	Synchronized with IR On/ Off	
Frame Integration	30	
Wide Dynamic Range	52dB	
IR Accuracy	No Focus Shift at Night	
Auto Iris Lens Type	AES /DC-IRIS	
Shutter Control	ALC1/ 60sec or Flicker-less 1/100sec	
Backlight Compensation	Auto Gain 36dB	
White Balance	ATW (2500°k-9000°k) / AWB	
Digital Noise Reduction	3D, Auto	
Gamma Correction	0.45/1.00	
Minimum Illumination	0.001 LUX at F=1.0 (Video Output 30IRE, AGC on)	
S/N Ratio	56dB (min)	
Digital Zoom	2 X	
Ambient Temperature	(-25~50)°C / 30~90% RH	

PARTS DESCRIPTION



1. Lens Cap with Demisting Device
2. Temper Glass
3. IR LED : 4pcs/6pcs/7pcs super high power IR LED with refractor.
4. IR Board and IR Board Bracket
5. Camera Board and Camera Board Bracket
6. IR Control Board

7. Blower and Blower Bracket

8. Video Output BNC Female Connector

9. Thermostat Switch : Turns on at 18° C and turns off at 28° C for defogging device

10. OSD setting button

11. VR : To adjust Infrared LED activation level.

12. Thermostat Switch : Turns on at 35° C and turns off at 25° C for blower

13. Ground wire: Wired to the top cover.

14. RCA JACK Monitor output

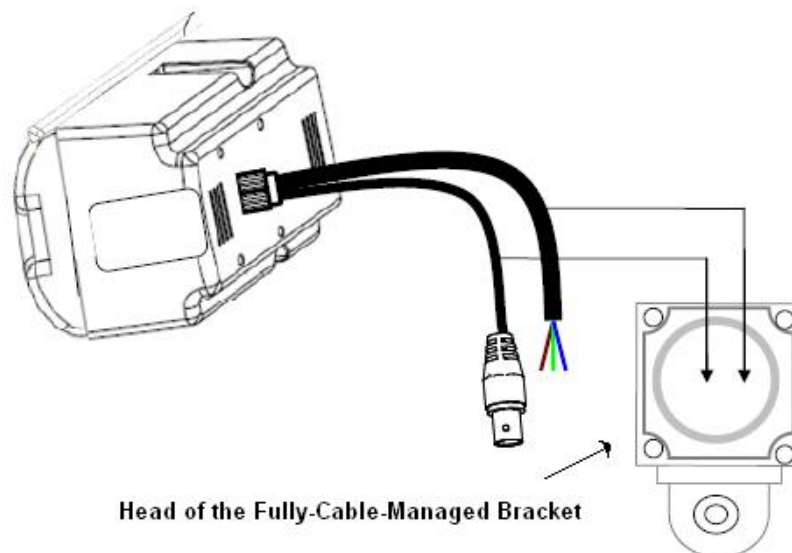
15. BNC Monitor Out

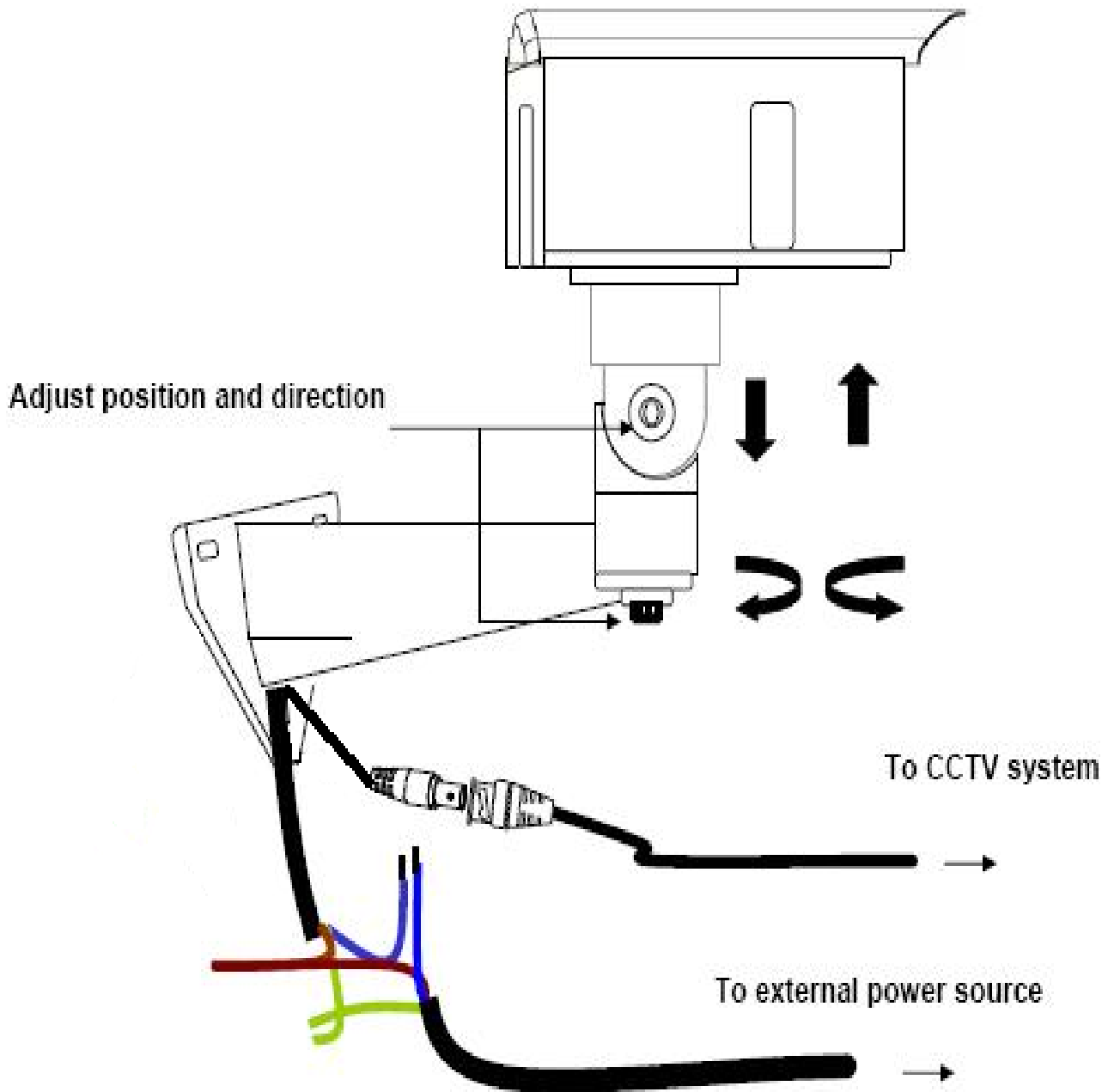
16. Live : White wire

17. Earth : Green wire

18. Neutral : Black wire

How to Install Cables Through the Mounting Bracket





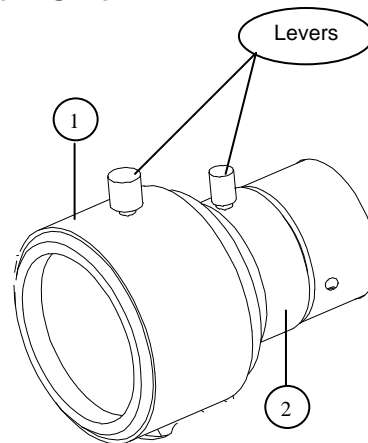
LENS / ZOOM AND FOCUS ADJUSTMENTS

Lens Attributes:

TPC-8922/24: AC 24V(+/-10%) Power Input.
9-22 mm Auto IRIS and manual varifocal ED-IR lens.
Built in IR cut filter removable to get accurate colour.
ED lens to protect focus shift.

TPC-8922/240: AC 90~240V Power input.
9-222 mm or Auto IRIS and manual varifocal ED lens.
Built in IR cut filter removable to get accurate colour.
ED lens to protect focus shift.

Zoom and Focus Adjustment



1. Focus Ring

To set the focus, loosen the Focus lever and turn the ring toward $<\infty>$ or $<N>$ as necessary. When the desired focus is obtained re-tighten the focus ring lever.

2. Zoom Ring

Loosen the Zoom ring lever and adjust the viewing range by turning the ring towards $<W>$ for WIDE (Zoom out) or $<T>$ for TELEPHOTO (Zoom In) as necessary. Re-tighten the zoom ring lever when finished.

OSD SETTING MANUAL:

To display OSD menu on screen, press and hold **ENTER** for at least 2 seconds

Press **RETURN** to exit OSD manual

Press **UP, DOWN & ENTER** to set up the features

IMAGE QUALITY	1.IRIS	WDR ALC AES : FIX/AUTO
	2. AGC/SENS	AGC: AUTO/FIX SENS: AUTO/FIX
	3.ENHANCE	H-L level
	4. IR SETTING	ON/OFF/EXT(default)
	5. BACKLIGHT	ON/OFF 48 areas selectable
	6. WHITE BALANCE	COLOUR: AUTO/ON/OFF
FUNCTION MENU	1. OSD	MOTION: OFF/ON ZOOM MAG: OFF/ON
	2. MOTION DETECTION	OFF/ON 48 areas, time, sense selectable
	3. DIGITAL ZOOM	OFF/ON
	4. H/V REVERSE	H REVERSE: OFF/ON V REVERSE: OFF/ON
	5. FREEZE	OFF/ON
	6.CROSS LINE	OFF/ON
	7.MASK	OFF/ON
	8. POSI/NEGA	POSI/NEGA
EXTRA SETTING	1.LANGUAGE	English/Traditional Chinese/ Japanese
	2.TITLE	User- defined
	3.PRIORITY	VR PRIORITY: VR/OSD OSD PRIORITY: SWITCH/OSD
	4.PRESET	PRESET: ON/OFF



GENIE CCTV LTD.

CCTV House, City Park, Watchmead, Welwyn Garden City, Hertfordshire, AL7 1LT

Tel +44(0)1707 330541 Fax +44(0)1707 330543

www.geniecctv.com

Ver 1.01
GN-June 2010