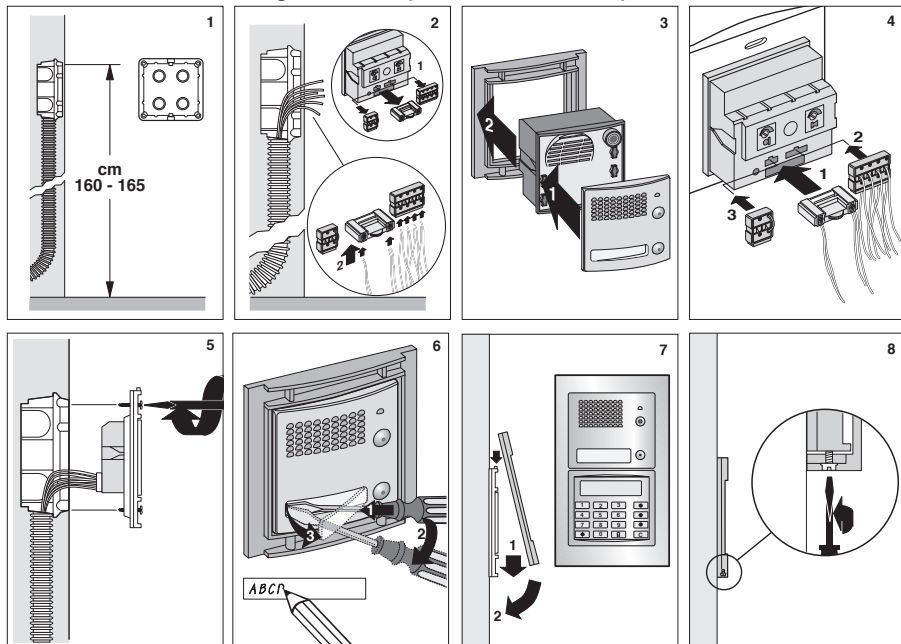


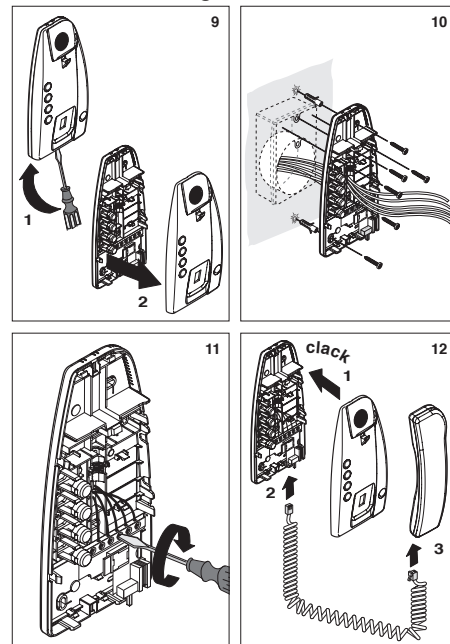
Sfera audio codelock entry kit

1

Fitting entrance panels and name plates

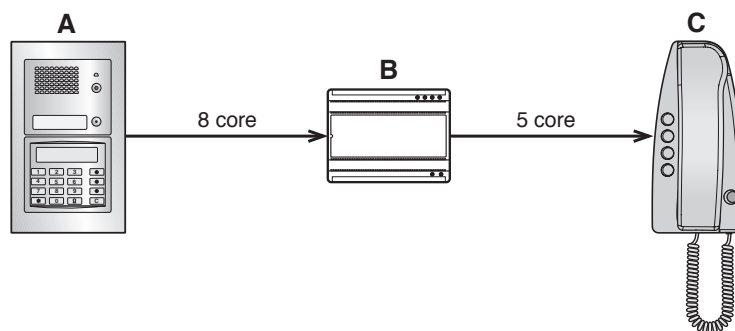


Fitting handsets



General installation requirements

2



	Connections	Distance			
		25m	50 m	100m	150m
B-C	1	0-28 mm ²			
A-C	3-4-5	0-28 mm ²			
A-B	1 - 12	0-28 mm ²			
B-A	22-24	0-28 mm ²	0-5 mm ²	1 mm ²	1-5 mm ²

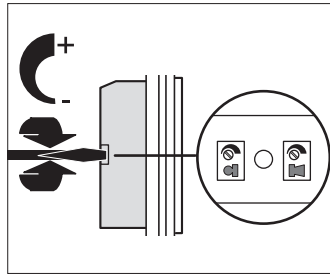
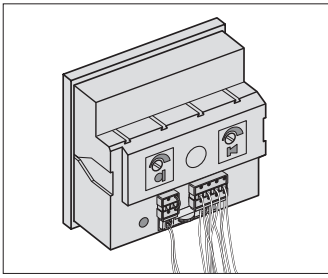
Check that the cross-section of cables used in the wiring diagram are not less than those indicated in the table below

Testing the installation

- Check that the entrance panel name plates are illuminated
- Press the pushbutton on the entrance panel and the selected handset will signal the call
- Press lock release pushbutton on handset and check operation of release mechanism, if fitted

Testing the speech circuit

- The entrance panel contains two potentiometers for adjusting the power of the microphone (☞) and loudspeaker (☞)
- In case of a whistle (feedback), first reduce the power of the microphone until an acceptable level is reached
- Should whistle persist adjust the loudspeaker volume



Fault finding

No speech or call signal:

Check for 12 V DC on terminal 12 +ve and terminal 1 -ve in the entrance panel

No call signal:

Ensure a link is inserted between 9 and 10 in the entrance panel

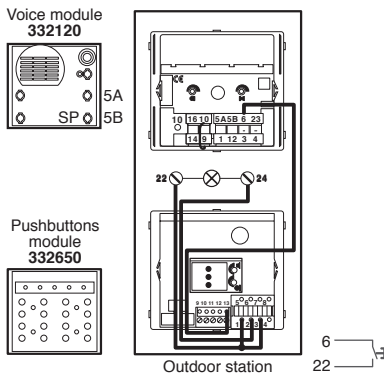
Nothing is working:

A short circuit in the wiring causing a thermal fuse to operate in the power supply. Disconnect from mains and remove short circuit. Reconnect after approximately 5 mins

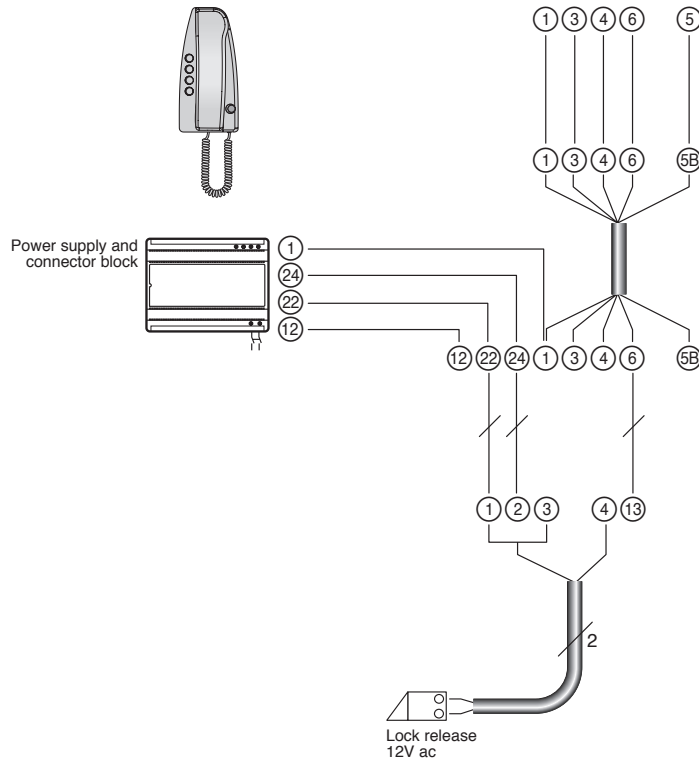
Connection diagram

For programming information of the keypad see enclosed instruction booklet

NB. Ensure links are inserted between
9 to 10 on voice module
22 on voice module to 1 on keypad
24 on voice module to 2 on keypad in entrance panel

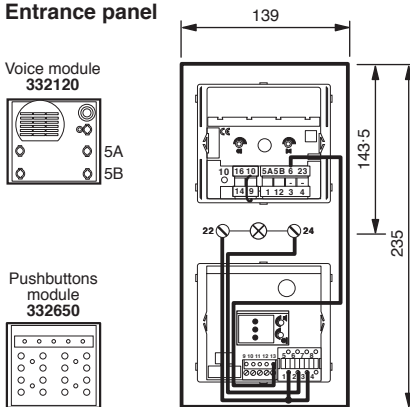


NB. For press to exit a door lock pushbutton must be connected to code lock module terminals 3 and 4

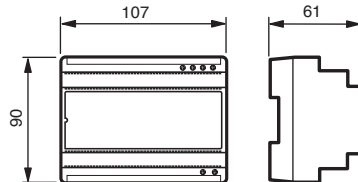


Technical Specifications

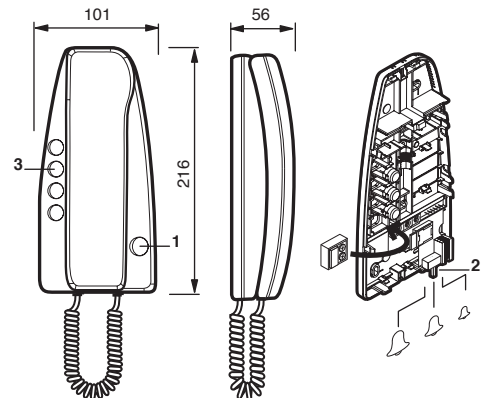
Entrance panel



Power supply unit Cat. No. 336000



Hanset Cat. No. 334202



Connection terminals:

- 1 0VDC
- 3 microphone output
- 4 speaker input
- 5 call wire
- 9 call tone generator output
- 10 common feed for pushbuttons
- 12 12 V DC speech circuit and call signal
- 22 0 V AC for lock and lamp
- 24 12 V AC for lock and lamp

Spare lamp Cat. No. 820811
For technical information on code lock module 332650 please refer to instruction booklet

- DIN enclosure 6 modules
- Input 230 V ~ ± 10 % 50-60 Hz 25VA

Connection terminals:

- 1 0 V DC
- 12 12 V DC speech and call signal
- 22 0 V AC lamp
- 24 12 V AC lock and lamp

- 1 - Door lock release pushbutton
 - 2 - Call signal volume control
 - 3 - Housings for extra pushbuttons
- It may be wall mounted with the screws supplied
Flex cord with 2 RJ connectors
Adjustable electronic call
Amplified electret microphone
Loudspeaker with mylar diaphragm

Connection terminals:

- 1 0 VDC
- 3 speaker input
- 4 microphone output
- 5 call input
- 6 0 V lock output
- 1A not used