

Oneprox™ GS3-LF Mullion Reader

The new Stanley Oneprox GS3-LF Mullion is the next generation reader offering a stylish, unobtrusive design. Ideally suited to locations requiring a reader with a small footprint and mountable on either a door frame (mullion) or any flat surface.

A reliable addition to any access control system, the GS3-LF Mullion provides guaranteed quick and dependable read times to keep traffic moving through secure areas as well as low power consumption in an easy-to-install package.



Key Features:

- Up to 4in (10cm) reading range
- Reads Wiegand (125KHz)*, KeyPAC® (125KHz) and PAC® (153KHz)
- Fast and dependable read times
- Option of Wiegand mode supporting 4 popular formats or Oneprox mode offering 6 programmable output formats
- Easily programmable using the built in dip switch
- Wall tamper compliant to UL 294 and ULC S319 offering a true Class 3 reader option for access systems
- Sounder for audio verification
- Tri-color LEDs for visual verification
- Compatible with Sonitrol panels, PAC controllers and 3rd party controller / panel applications via wiegand
- New and improved potted housing design providing a sealed and rugged enclosure to withstand harsh environments
- Lifetime guarantee against electronic failure

The GS3-LF Mullion reads KeyPAC (125KHz), PAC (153KHz) and Wiegand (125KHz)* and with simple on site configuration via a dip switch, the reader can be set to the specified parameters easily upon installation and if required, can be easily altered in the future.

The GS3-LF Mullion also offers a true Class 3 wall tamper option enabling access systems with the GS3-LF Mullion installed to be fully recognized.

The reader is constructed of rugged polycarbonate plastic and potted using flame-retardant resin allowing freedom to use both indoors and out. Manufactured to the highest quality standards in our ISO 9001 certified facility, the GS3-LF Mullion offers exceptional reliability together with a fully featured 125KHz & 153KHz reader option.



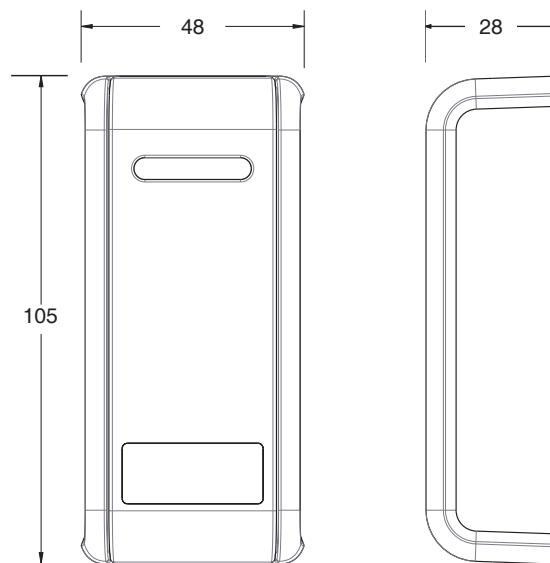
Features & Specification

| | |
|------------------------------|---|
| Description | Oneprox GS3-LF Mullion |
| ID Technology | Wiegand (125KHz)*, KeyPAC (125KHz) & PAC (153KHz) |
| Dimensions | H: 4.1in (105mm) x W: 1.9in (48mm) x D: 1.1in (28mm) |
| Programmable Output Formats | Wiegand 26-bit, 34-bit, 35-bit & 37-bit, Standard PAC, PAC 64 & Magstripe |
| Weight | 5.2oz (150g) nominal |
| Maximum Read Range | Up to 4in (10cm) |
| Maximum Current Requirements | < 100mA |
| Power | +10.5v - +28v (12 -24v nominal) |
| Operating Temperature | -40°F - +151°F / -40°C - +66°C |
| Operating Humidity | 10 – 85% RH @ 30 ± 2°C / 85 ± 4°F (ULC S319 testing to 93%) |
| Audiovisual Indication | Tri-color LED (red-green-amber) and audible sounder |
| Recommended Cable Type | 6-core 24AWG alarm cable |
| Material | Polycarbonate UL94 HB (F1) |
| Tamper Output | Yes - wire tamper (PAC controllers only), case & wall |
| Certifications | UL 294 5th Ed. Attack Class 3, ULC S319-05 Class 3, UL 1610, ULC S304, UL 1076, ULC 1076, FCC Part 15 & IC RSS210 |

Ordering Information

| Part Numbers | Description |
|--------------|------------------------|
| 28110 | Oneprox GS3-LF Mullion |

Oneprox™ GS3-LF Mullion



Oneprox GS3 -LF Mullion Supports:

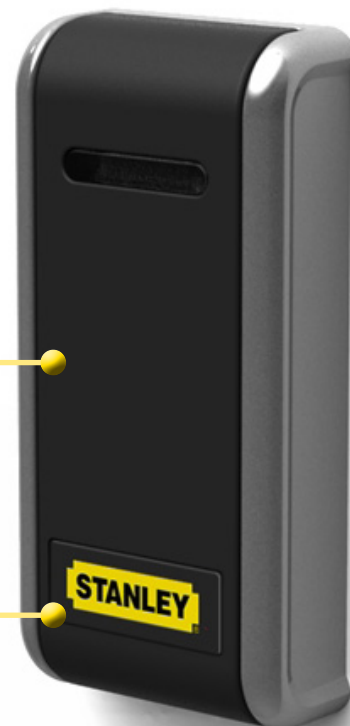


KeyPAC® (125KHz)

PAC® (153KHz)

HID® (125KHz)

Wiegand* (125KHz)



* 26-bit, 34-bit, 35-bit & 37-bit

STANLEY
Security Solutions

Stanley Convergent Security Solutions

1-888-476-4784

www.stanleycss.com

All reasonable care has been taken to ensure that the information contained in this publication is accurate as at the date of printing. Such information is nevertheless liable to variation in the event of changes occurring subsequent to the date of printing in the products, services or statements referred to in this publication.

The copyright © of all documents is owned by Stanley Security Solutions. Stanley, PAC, KeyPAC, Oneprox and Sonitrol are registered trademarks of Stanley Black & Decker.