

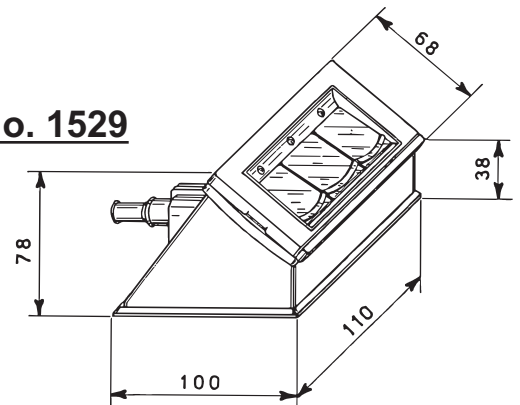
**ELPRO
ELECTRONIC
P/C BOARD**

- With an **Open** command **Led 1** flashes. This corresponds to the Open button of Pulin 3
- With an **Close** command **Led 3** flashes. This corresponds to the Close button of Pulin 3
- With a **Stop** command **all the leds** of Pulin 3 flash
- With the automation in the **Open** position **Led 2** stays alight. This corresponds to the Stop button of Pulin 3
- With the automation in the **Close** position **Led 2** flashes. This corresponds to the Stop button of Pulin 3

PUSH BUTTONS

Item Code No. 1529

**Pulin 3
Table mount**



(GB)