

RG58 coaxial cable  
length 3,0m

GB

Birio A8 aerial is an accessory designed to be installed anywhere, preferably outdoor, which is essential for the unit to receive a radio signal emitted from the radio receiver, even from a significant distance. It is well built, strong and compact at the same time to meet any installation requirements. It consists of a rigid aluminium rod, treated to be rust-proof, fitted into a main assembly block, made of shock resistant plastic material; the unit is water-tight, being the rod inlet and the two halves of the casing perfectly sealed to isolate the internal main component parts from the external environment.

The PC card is safely fitted inside the main body. The connections of the RG58 coaxial cable are also inside the casing, that must be fully opened for wiring operations, after removing the self-taping screw.

Birio A8 aerial can meet the most various fixing requirements, being adjustable in different angle positions by means of an articulated bracket, that can be fixed where required by means of two screws.

Proper and long lasting performance of the unit is ensured by the RG58 coaxial cable that, once connected to its specific terminals on to the PC card, is securely "held" in position by the two parts of the casing, fitting one into the other very tightly, so that to provide a fully hermetic cable inlet and prevent the cable from being unintentionally torn off during handling or fitting operations.

All the materials the unit is made of are shock- and weather-proof, highly resistant to atmospheric agents, designed to meet the most harsh site conditions and to last long.

### TECHNICAL SPECIFICATIONS

Protection standards.....IP 44  
 The casing is made of.....ABS  
 The rod is made of.....Aluminium  
 Fixing.....Surface, articulated  
 Distance range.....150 m

#### Aerial cable:

Type.....Shielded RG58 C/U Black  
 Rated voltage.....1,4 KV  
 Outer diameter.....Ø4,95mm  
 Numbers of conductors .....1  
 Shortcircuit maximum temperature.....150 °C  
 Temperature.....-15°C / +70°C  
 Insulation resistance at 20°C.....> 200 GOHM KM  
 Conductor electric resistance at 20°C.....33,3 OHM/KM  
 Impedance.....50 OHM  
 Propagation velocity.....66%  
 Length for signal reception.....3 metres maximum

CE EUROPEAN MARK CERTIFYING  
 CONFORMITY TO THE ESSENTIAL  
 REQUIREMENTS OF THE STANDARDS  
 98/37/EC, 73/23/CEE and 93/68/CEE



**FADINI**  
 the gate opener  
 Made in Italy



**meccanica**  
**FADINI**

Drwg. No. **4127**

TECHNICAL SPECIFICATIONS TABLE

RECEIVING AERIAL BIRIO A8

**I** **INSTALLAZIONE ANTENNA *Birio* A8  
SUL LAMPEGGIATORE MIRI 4**

- 1 - PUNTALE STELO
- 2 - COLLARE LAMPEGGIATORE MIRI 4
- 3 - OR 2031
- 4 - SCHEDINA ANTENNA
- 5 - VITE M5x10 T.C.
- 6 - VITE AUTOFILETTANTE

**GB** ***Birio* A8 AERIAL FITTED TO THE  
FLASHING LAMP MIRI 4**

- 1 - AERIAL ROD
- 2 - COLLAR OF FLASHING LAMP MIRI 4
- 3 - OR 2031
- 4 - AERIAL P.C. CARD
- 5 - M5x10 T.C. SCREW
- 6 - SELF-TAPPING SCREW

**F** **INSTALLATION ANTENNE *Birio* A8 SUR  
LA LAMPE DE SIGNALISATION MIRI 4**

- 1 - TIGE
- 2 - COLLIER LAMPE DE SIGNALISATION MIRI 4
- 3 - OR 2031
- 4 - CARTE ANTENNE
- 5 - VIS M5x10 T.C.
- 6 - VIS FILETEE

**D** **EINBAU DER *Birio* A8 ANTENNE AUF  
BLINKLEUCHTE MIRI 4**

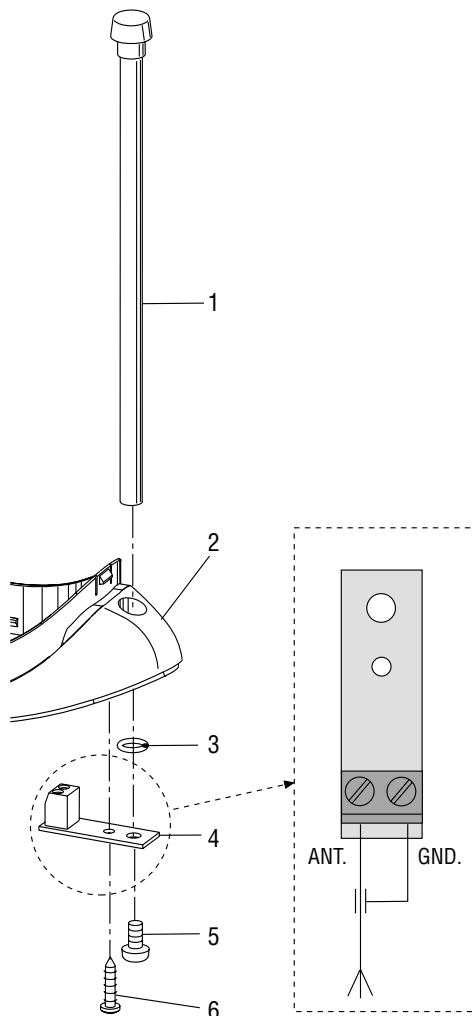
- 1 - STAB
- 2 - SCHELLER BLINKLEUCHTE MIRI 4
- 3 - OR 2031
- 4 - ANTENNE PLATINE
- 5 - SCHRAUBE M5x10 T.C.
- 6 - SELBSTSCHNEIDENDE SCHRAUBE

**E** **INSTALACION DE LA ANTENA *Birio* A8  
EN EL DESTELLADOR MIRI 4**

- 1 - VASTAGO
- 2 - COLLAR DESTELLADOR MIRI 4
- 3 - OR 2031
- 4 - FICHA ANTENA
- 5 - TORNILLO M5x10 DE CABEZA CILINDRICA
- 6 - TORNILLO AUTOENROSCANTE

**NL** **INSTALLATIE *Birio* A8 ANTENNA OP DE  
MIRI 4 BLINKER**

- 1 - STEELPUNT
- 2 - RAND MIRI 4 BLINKER
- 3 - OR 2031
- 4 - ANTENNE KAART
- 5 - CILINDERKOPSCHROEF M5x10
- 6 - ZELFTAPPENDE SCHROEF



CE

Dis. N. 4036

Via Mantova, 177/A - 37053 Cerea (Verona) Italy - Tel. 0442 330422  
r.a. Fax 0442 331054 - e-mail: info@fadini.net - www.fadini.net

 **meccanica  
FADINI**

**I** **INSTALLAZIONE *Birio A8***

- 1 - PUNTALE STELO
- 2 - STELO ANTENNA
- 3 - COPERCHIO DI ATTACCO STELO
- 4 - OR 2031
- 5 - SCHEDINA ANTENNA
- 6 - VITE M5x10 T.C.
- 7 - FONDO DI CHIUSURA
- 8 - VITE AUTOFILETTANTE 3,9x25
- 9 - VITE AUTOFILETTANTE 4,8x22
- 10-SUPPORTO A PARETE

**GB** **INSTALLATION *Birio A8***

- 1 - AERIAL TOP CAP
- 2 - AERIAL ROD
- 3 - ROD FIXING COVER
- 4 - OR 2031
- 5 - AERIAL P.C. CARD
- 6 - M5x10 T.C. SCREW
- 7 - FIXING BOTTOM COVER
- 8 - SELF-TAPPING SCREW 3,9x25
- 9 - SELF-TAPPING SCREW 4,8x22
- 10-FIXING BRACKET

**F** **INSTALLATION *Birio A8***

- 1 - EMBOUT DE LA TIGE
- 2 - TIGE
- 3 - COUVERCLE DU PIECE DE FIXATION
- 4 - JOINT OR 2031
- 5 - CARTE ANTENNE
- 6 - VIS M5x10 T.C.
- 7 - BASE DE FERMETURE PIECE DE FIXATION
- 8 - VIS FILETEE 3,9x25
- 9 - VIS FILETEE 4,8x22
- 10-SUPPORT A FIXER AU MUR

**D** **ANLAGE *Birio A8***

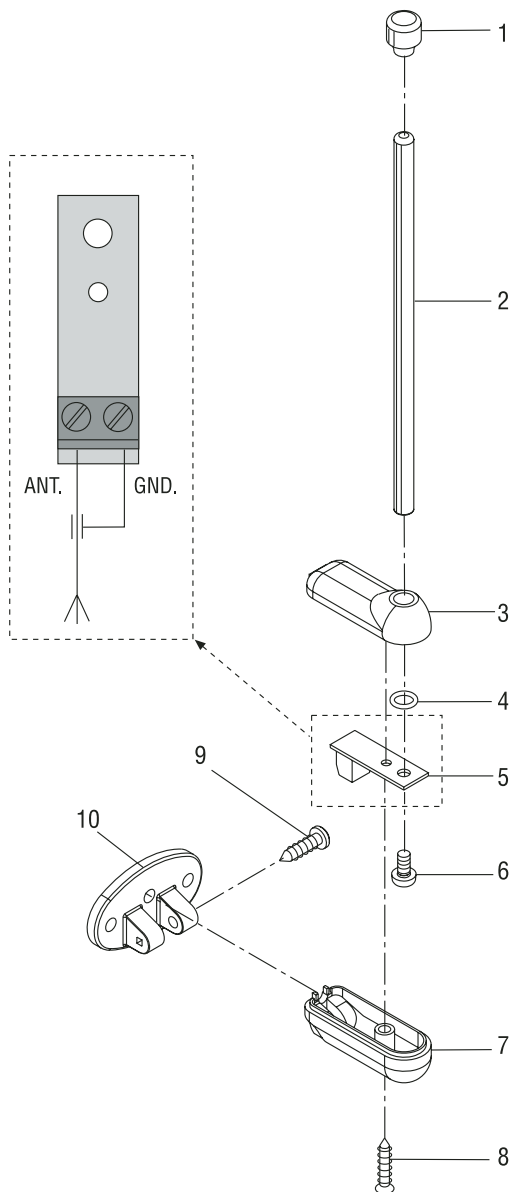
- 1 - STABZWINGE
- 2 - ANTENNE STAB
- 3 - DECKEL
- 4 - OR 2031
- 5 - ANTENNE PLATINE
- 6 - SCHRAUBE M5x10 T.C.
- 7 - GRUNDHALTER
- 8 - SELBSTSCHNEIDENDE SCHRAUBE 3,9x25
- 9 - SELBSTSCHNEIDENDE SCHRAUBE 4,8x22
- 10-WANDBEFESTIGUNG

**E** **INSTALACION *Birio A8***

- 1 - EXTREMIDAD VASTAGO
- 2 - VASTAGO ANTENA
- 3 - TAPA DE SUJECION VASTAGO
- 4 - OR 2031
- 5 - FICHA ANTENA
- 6 - TORNILLO M5x10 DE CABEZA CILINDRICA
- 7 - FONDO DE CIERRE
- 8 - TORNILLO AUTOENROSCANTE 3,9x25
- 9 - TORNILLO AUTOENROSCANTE 4,8x22
- 10-SOPORTE MURAL

**NL** **INSTALLATIE *Birio A8***

- 1 - STEELPUNT
- 2 - ANTENNESTEEL
- 3 - KOPPELINGSDEKSEL STEEL
- 4 - OR 2031
- 5 - ANTENNEKAART
- 6 - CILINDERKOPSSCHROEF M5x10
- 7 - SLUITINGSBODEM
- 8 - ZELFTAPPENDE SCHROEF 3,9x25
- 9 - ZELFTAPPENDE SCHROEF 4,8x22
- 10-WANDSTEUN



Dis. N. 4053

Via Mantova, 177/A-37053 Cerea (Verona) Italy - Tel. 0442 330422  
r.a. Fax 0442 331054 - e-mail: info@fadini.net - www.fadini.net