

# slimline video system

## Modular door panels



- 1-12 call buttons
- surface mounted
- only 110 mm wide
- only 25 mm deep
- the panel faceplate is hinged for easier installation



### audio - video modules

DESCRIPTION	KIT CODE
colour camera module	008535
mono camera module	008536
audio module	008540



### button modules

DESCRIPTION	KIT CODE
1 button module	008501
2 button module	008502
3 button module	008503
4 button module	008504
2 button module 2 columns	008508
4 button module 2 columns	008509
6 button module 2 columns	008510
8 button module 2 columns	008511



### keypad module

DESCRIPTION	KIT CODE
keypad module	008533

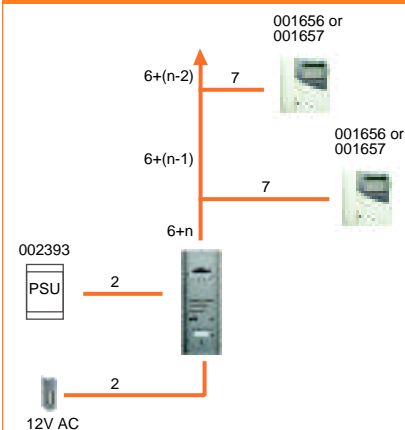
## Module support frames



- 1-12 call buttons
- surface mounted
- only 110 mm wide
- only 25 mm deep
- the panel faceplate is hinged for easier installation

DESCRIPTION	KIT CODE
1 module frame	110x154x25 096711
2 module frame	110x266x25 096712
3 module frame	110x378x25 096713
4 module frame	110x490x25 096714

## wiring layout - 1 entrance

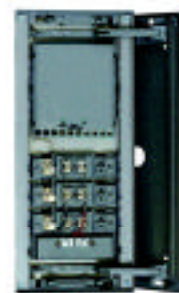


## slimline

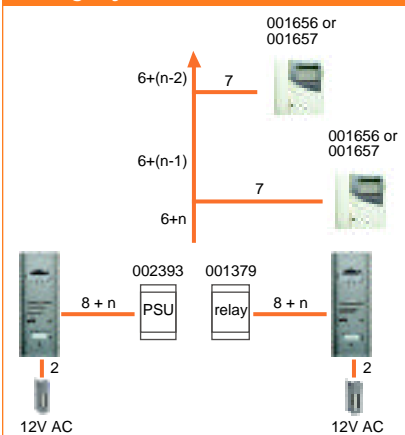
6 wire (no coax) video door entry system with robust surface mounted aluminium panel.

A usefull feature of the panel is its unique hinge which allows trouble free installation

## engineer friendly - hinged panel



## wiring layout - 2 entrances






## systems with name window panels



- 4" monitor
- 6 wire technology
- surface mounted
- lock release button
- spare button (eg stair lighting)
- apartment intercom facility built in
- privacy
- auto power off
- system busy indicator



Ring Switch  
Register  
Lock Release  
Spare Button



Monitor activation  
Constant press with the speaker  
Stair light control  
Door lock release

MONITOR	
height	220
width	198
depth	60

audio - video modules	
DESCRIPTION	KIT CODE
mono video monitor	001656
colour video monitor	001657

## Installation Notes :

### Using the System :

The system is used for communication between the door panel and the apartment monitor in buildings with one entrance.

Call volume is adjusted on the monitor

### Call from the Apartment door :

It is possible to call the monitor from the apartment door by connecting terminal 9 to terminal 5 at the monitor via a push to make button.

### Intercom Facility :

You may call up to 5 monitors in parallel from the entrance panel. Intercom between the monitors is possible by pressing the internal call button . Do not push the button before pressing the since the internal communication would be heard at the entrance panel

Intercom connection between monitors is possible by connecting terminals 10, 11, 12 in parallel. **In this case it may be necessary to increase the cable cross section. \*\*\*\***

### General Installation Information :

The diameter of the cables 1 and 2 should be 1mm<sup>2</sup> for up to 20 apartments and 1.5mm<sup>2</sup> for up to 40 apartments.

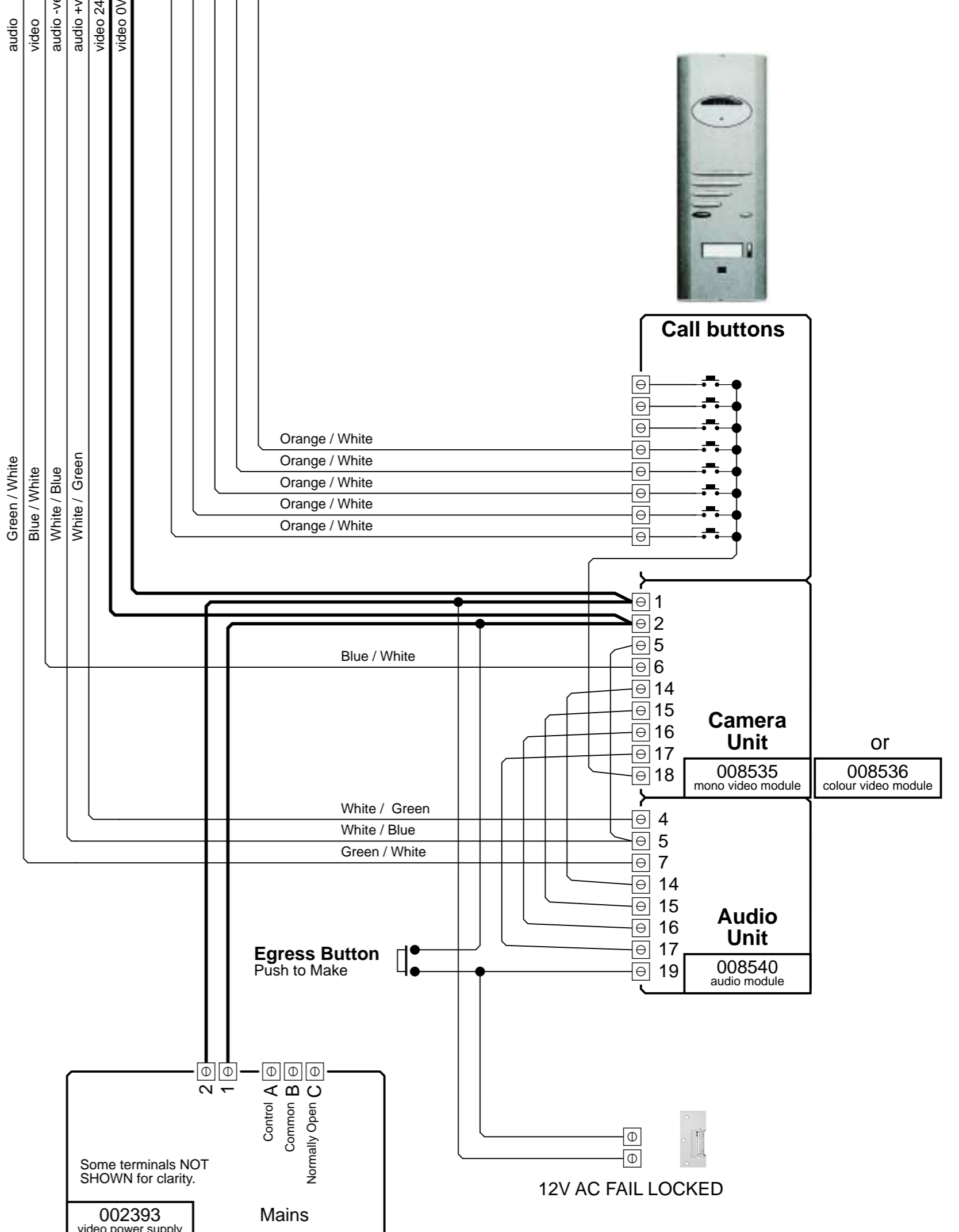
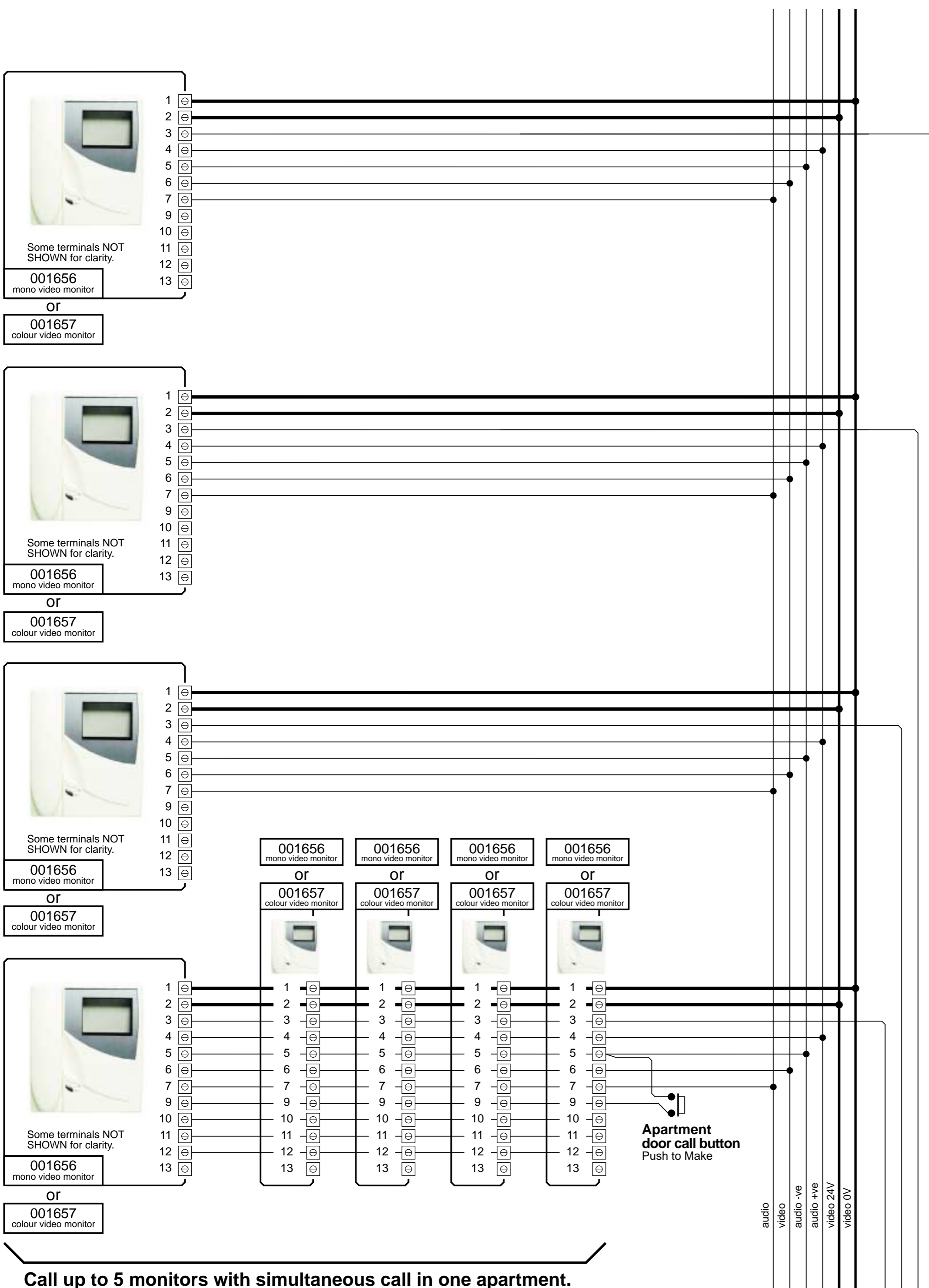
All other wires must be minimum of 0.5mm<sup>2</sup>.

Intercom is available between the monitors by connecting 10, 11, 12

Terminal 9 connection is only required if calling the monitor(s) from a call button at the apartment door

### Functions of the monitor buttons

- View the main door camera
- Function button (eg stair lighting, call lift). Defaults to view the main door camera if not used.
- Call parallel monitor(s)
- Unlock the door





## Installation Notes :

### Using the System :

The system is used for communication between the door panel and the apartment monitor in buildings with one entrance.

Call volume is adjusted on the monitor

### Call from the Apartment door :

It is possible to call the monitor from the apartment door by connecting terminal 9 to terminal 5 at the monitor via a push to make button.

### Intercom Facility :

You may call up to 5 monitors in parallel from the entrance panel. Intercom between the monitors is possible by pressing the internal call button . Do not push the button before pressing the since the internal communication would be heard at the entrance panel

Intercom connection between monitors is possible by connecting terminals 10, 11, 12 in parallel. **In this case it may be necessary to increase the cable cross section. \*\*\*\***

### General Installation Information :

The diameter of the cables 1 and 2 should be 1mm<sup>2</sup> for up to 20 apartments and 1.5mm<sup>2</sup> for up to 40 apartments.

All other wires must be minimum of 0.5mm<sup>2</sup>.

Intercom is available between the monitors by connecting 10, 11, 12

Terminal 9 connection is only required if calling the monitor(s) from a call button at the apartment door

### Functions of the monitor buttons

- View the main door camera
- Function button (eg stair lighting, call lift). Defaults to view the main door camera if not used.
- Call parallel monitor(s)
- Unlock the door

