

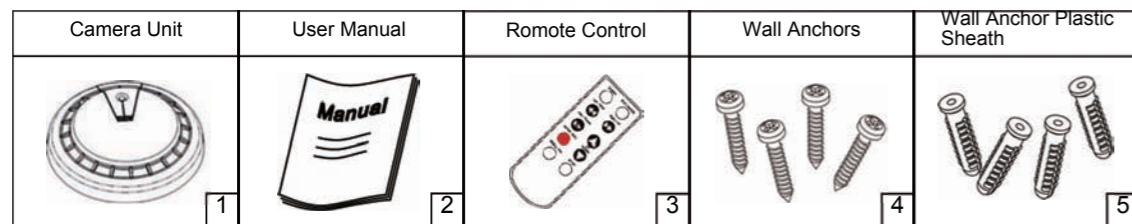
# User Manual

## SD-SMO

## Smoke Detector Camera with DVR



### Packing Contents



### Cautions

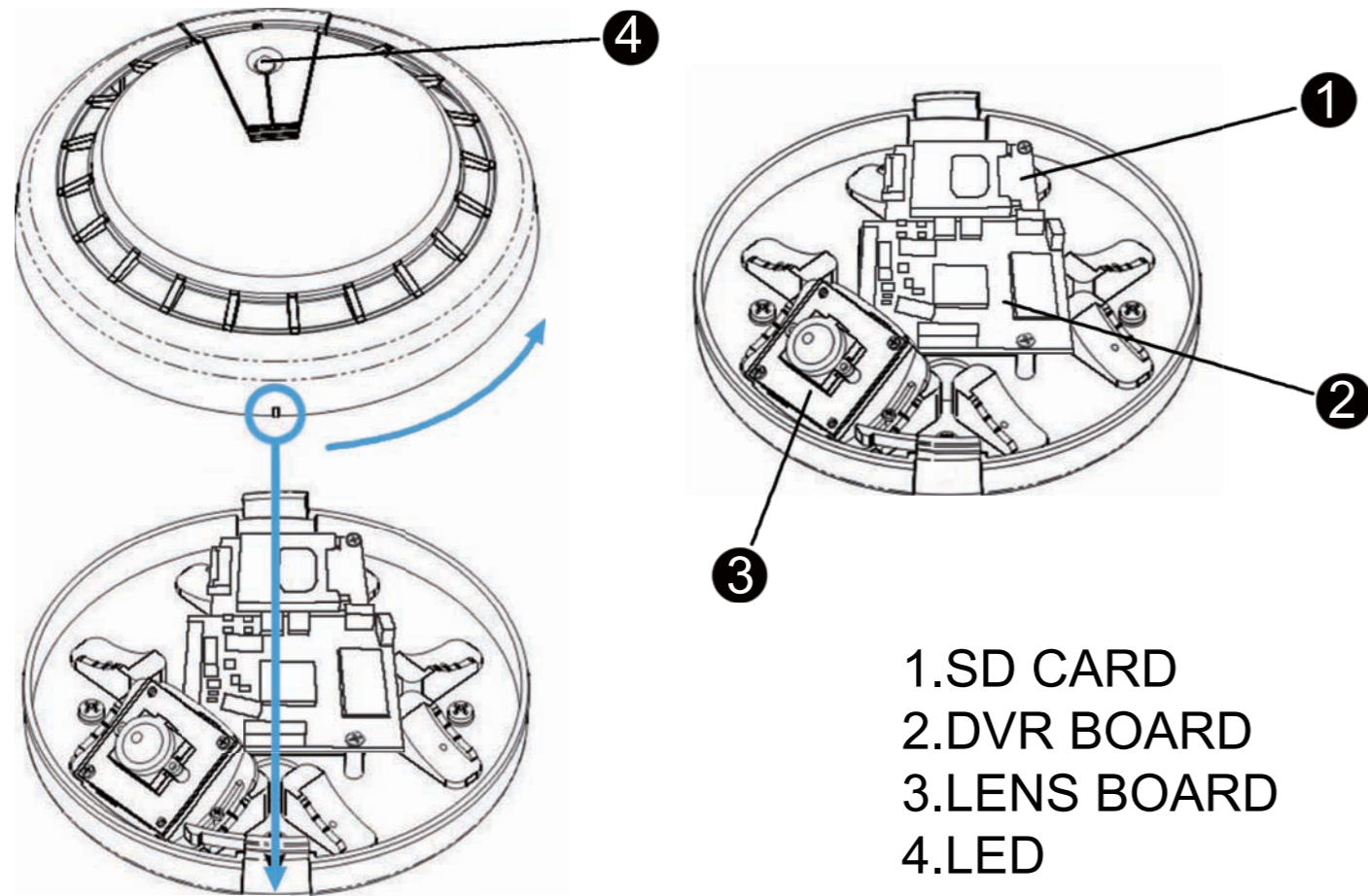
- 1 Do not install the camera in extreme temperature conditions.
- 2 Do not install or use the camera in an environment where the humidity is high.
- 3 Do not install the camera under unstable lighting conditions.
- 4 Never use the camera close to gas or oil leaks.
- 5 Do not disassemble the camera.
- 6 Do not drop the camera or subject it to physical shock.
- 7 Never keep the camera facing directly toward strong light.
- 8 Do not expose the camera to rain, moisture or spill beverages on it.

### Specification

MODEL NO.	SD-SMO		
SENSOR	1/3" CCD Sensor		
PIXELS	PAL: 752(H)*582(V)		
HORIZONTAL RESOLUTION	600 TV lines		
SCANNING SYSTEM	2:1 Interlace		
SENSITIVITY	0.5 Lux/ F2.0		
LENS TYPE	Pinhole 3.7mm		
S/N RATIO	More than 48dB		
GAMMA CORRECTION	0.45		
GAIN CONTROL	Auto		
BACK LIGHT COMPENSATION	Auto		
AUTO EXPOSURE	Auto		
WHITE BALANCE	ATW with MCT Technology (Multi-Colour Temp)		
DAY & NIGHT	Auto		
AUDIO	None		
VIDEO COMPRESSION	MPEG4 (ASF Format)		
AUDIO COMPRESSION	PCM		
RESOLUTION FOR VIDEO	640x576 (PAL)		
FRAME FOR VIDEO	25/12/4 Fps at 640x480		
IMAGE QUALITY	High	Middle	Low
RECORDING TIME (1HR)	1.3~1GB	900~700MB	700~500MB
VIDEO MODE	Manual / Scheduled / Motion Detection		
PLAYBACK MODE	Search by Time		
OVERWRITE	Yes / No		
STORAGE MEDIA	SD / MMC card (SDHC version, up to 32G)		
OPERATING TEMP.	-10° ~ +45° C		
POWER SUPPLY	DC 12V		
POWER CONSUMPTION	200mA ±10% under DC 12V		
DIMENSIONS	Ø142mm* 41.5(H)		
WEIGHT	151g		

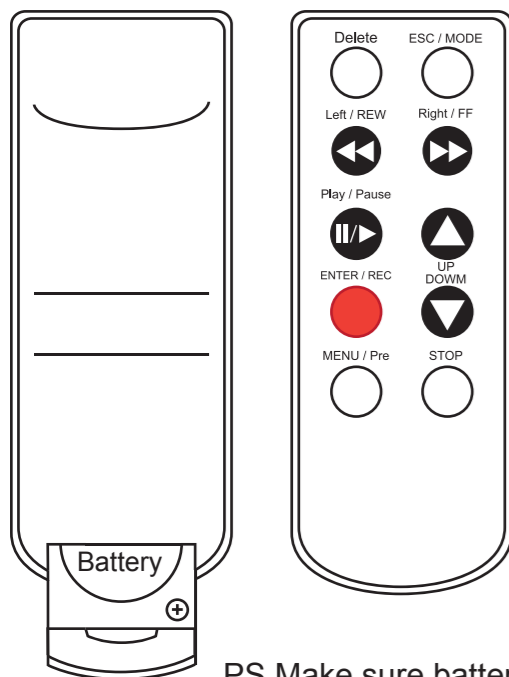
\*The above specification is subject to change without prior notice

# Installation



1. SD CARD
2. DVR BOARD
3. LENS BOARD
4. LED

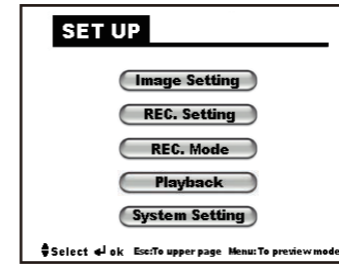
# Remote Control



- Delete** : Press to delete the file on the recording list.
  - ESC / MODE** : Press to return to previous menu and quick playback.
  - Left / REW** : Press to move left in the "mask area" and 4 levels of fast backward playback.
  - Right / FF** : Press to move right in the "mask area" and 4 levels of fast forward playback .
  - Play / Pause** : Press to play / pause the playback.
  - UP & DOWN** : Press to select item and to increase or decrease the volume level during the playback.
  - ENTER / REC** : Press to confirm and start recording.
  - MENU / Pre** : Press to enter and exit the menu.
  - STOP** : Press to stop recording.
- If under "**Scheduled Time Mode**" press "**MENU/Pre**" or "**ESC/MODE**" to stop recording.

PS. Make sure batteries are installed before using the Remote Control.

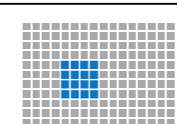
# Operation Manual



- Step 1. Install the camera and ensure each plug is properly connected.
- Step 2. Insert the SD card and go to the system settings to format for first time.
- Step 3. Use the remote cotroller and press "MENU" icon to set up the system.

Image Setting	
Quality	H / M / L
Frame Rate	25 fps / 12 fps / 4 fps

- Press ▲▼ (UP & DOWN) to select item.
- Press ● (ENTER) to confirm.
- Press ○ (ESC) to return to previous menu.

REC. Setting	
Scheduled Time	DD/MM/YYYY 00:00 } DD/MM/YYYY 00:00 Press ▲▼ to select. Press ▲▼ to adjust number. Press ● (ENTER) to confirm.
Overwrite	YES/NO
Section	15min / 30min / 1hr
Motion Detection	Mask Area  Press ▲▼ to select area. Press ● (ENTER) to confirm or cancel.
Sensitivity	H / M / L

- Press ▲▼ (UP & DOWN) to select item.
- Press ● (ENTER) to confirm.
- Press ○ (ESC) to return to previous menu.

REC. Mode	
Manual	
Scheduled	Go to "Scheduled Time" Setting to set up
Motion Detection	Go to "Motion Detection" Setting to set up

- Press ▲▼ (UP & DOWN) to select item.
- Press ● (REC) to start recording.
- Press ○ (STOP) to stop recording.
- Press ○ (ESC) to return to previous menu.

Playback	
File Name Date Start Time	Select the file you want to display.
0000141 29/07/2011 11:46:36	
0000142 29/07/2011 12:01:36	
0000143 29/07/2011 12:16:36	
0000144 29/07/2011 12:31:36	
0000145 29/07/2011 12:46:36	
0000146 29/07/2011 13:01:36	
Page 010/010	
Display Mode:	<ul style="list-style-type: none"> <li>◀ Left / REW</li> <li>▶ Right / FF</li> <li>⏸ Play / Pause</li> </ul>

- Press ▲▼ (UP & DOWN) to select the file.
- Press ● (ENTER) to confirm, then press ▶ to play.
- Press ○ (Delete) to delete the file.
- Press ○ (ESC) to return to previous menu.

System Setting	
Language	English German Spanish
Time	DD/MM/YYYY 00:00 Press ▲▼ to select. Press ▲▼ to adjust number. Press ● (ENTER) to confirm.
Format	YES/NO
Card Info.	Total Size: Usage Size (%): Remain Size (%):

- Press ▲▼ (UP & DOWN) to select item.
- Press ● (ENTER) to confirm.
- Press ○ (ESC) to return to previous menu.