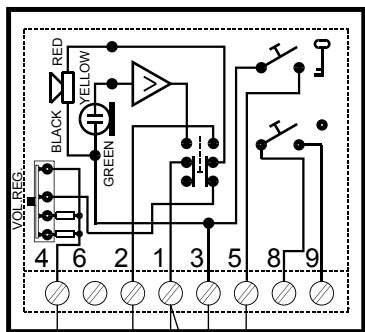
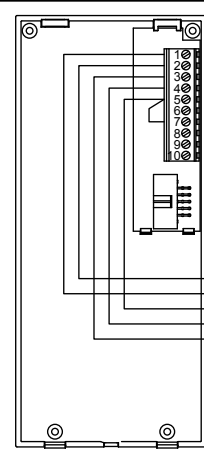
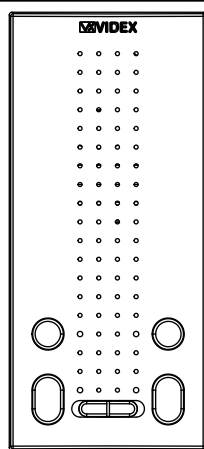


Art.3111

3 2 1 12V



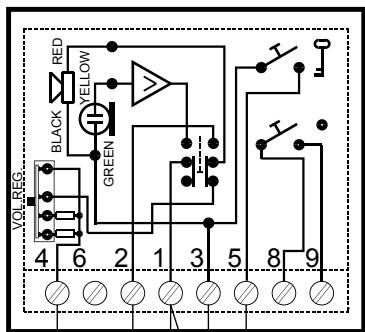
2



Art.5112

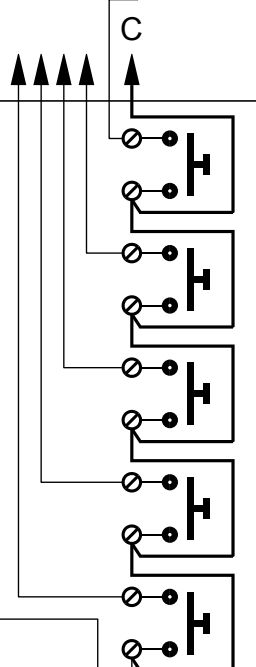
3

Art.3111



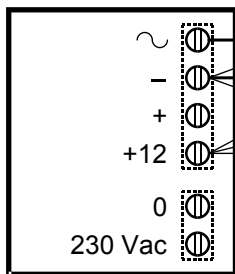
1

Art.8845

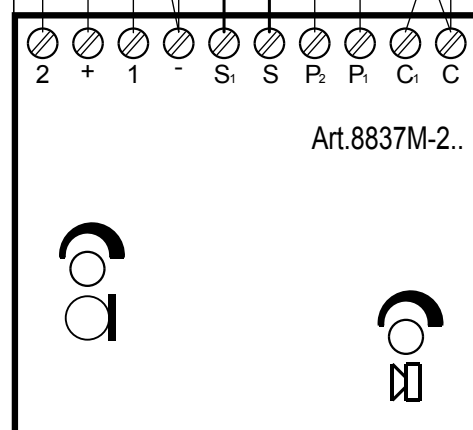
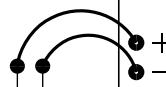


C

Art.520M



230 Vac



Art.8837M-2..

SE

12V_{AC}

Correspondence Table

5112 Terminals	3111	
1=	2A	2
2=	4A	4
3=	+12Vin	
4=	3A	3
5=	1A	1
6=	Two Dot button	
7=	5A	5
8=	Dot button	
9=	Door Led positive in	
10=	Door Led ground in	