

motorized RIMTOPLOCK

General operation:

When the door is aligned with the frame, the magnetic detector located at the (front) lock box, blocks the door.

Once the lock is released, and during the scheduled opening time, the lock makes an intermittent warning sound. After a scheduled time, the lock blocks automatically.

An acoustic alarm warns when the door is not properly closed.

CE-104



Features and functional description

- Mechanical opening handle
- Push button for electrical opening
- External cylinder for key opening
- Reversible, 60 mm cylinder
- 12 V dc power supply
- 500mA energy consumption
- 350.000 guaranteed openings

ENTRY: 1) Access control opening
2) Key opening

EXIT: 1) Electrical opening using the red push button
2) Electrical opening using access control
3) Mechanical opening using lock handle

IN CASE OF ELECTRICAL POWER CUT OFF:

- 1) Entry with keys
- 2) Exit using lock handle

CE-105



Features and functional description

The lock remains in permanent unblock position pressing the green button. The lock becomes operative again with a second press, which cancels the permanent unblock.

- Mechanical opening handle
- Push button to lock / unlock permanently
- External cylinder for key opening
- Reversible, 60 mm cylinder
- 12 V dc power supply
- 500mA energy consumption
- 350.000 guaranteed openings

ENTRY: 1) Access control opening
2) Key opening

EXIT: 1) Electrical opening using access control or pressing the button
2) Mechanical opening using lock handle

IN CASE OF ELECTRICAL POWER CUT OFF:

- 1) Entry with keys
- 2) Exit using lock handle

CE-106



Features and functional description

- Mechanical opening handle
- External cylinder for key opening
- Reversible, 60 mm cylinder
- 12 V dc power supply
- 500mA energy consumption
- 350.000 guaranteed openings

ENTRY: 1) Access control opening
2) Key opening

EXIT: 1) Electrical opening using access control or pressing the button
2) Mechanical opening using lock handle

IN CASE OF ELECTRICAL POWER CUT OFF:

- 1) Entry with keys
- 2) Exit using lock handle

CE-109



Features and functional description

- Internal and external cylinder for key opening
- Reversible, 60 mm cylinder
- 12 V dc power supply
- 500mA energy consumption
- 350.000 guaranteed openings

ENTRY: 1) Access control opening
2) Key opening

EXIT: 1) Electrical opening using access control or pressing the button
2) Mechanical opening using keys

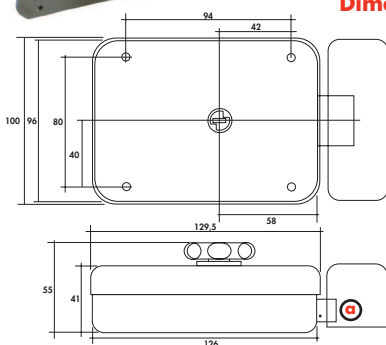
IN CASE OF ELECTRICAL POWER CUT OFF:

- 1) Entry with keys
- 2) Exit using lock handle

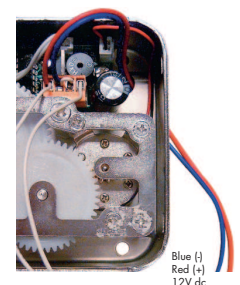
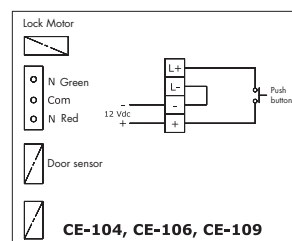
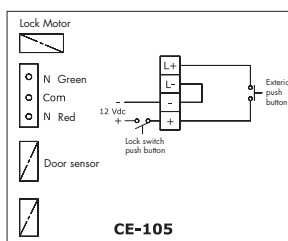
VCX-100



Rain-protection steel visor



Dimensions and electric diagram



Warning: The distance between the electric strike and the front box should be 5 mm. Distance plastic controller included.