



Features

- **Input:** 110~120 VAc (or 230~240VAc)
- **Strong power output even enough for large load.**
- **LED indicates power supply status.**
- **Build-in triple section fuse protection**
- **Each output is protected by individual PPTC**
- **Build-in backup battery Charger for uninterruptible.**
- **Tamper Switch Protection.**



Statement

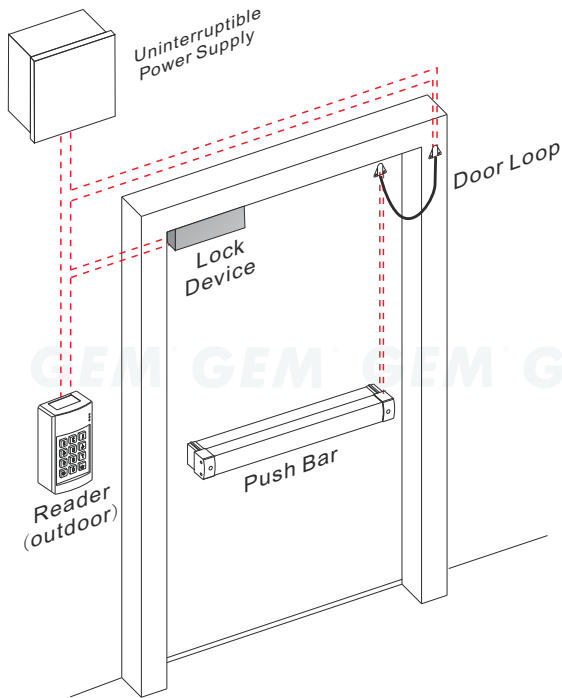
Gianni power supplies are housed in a robust, compact wall mounted steel fabricated case with lift-off hinged front panel. In the event of a mains power failure, standby power is automatically provided from battery charging output.

Specifications

	PSB-1A	PSB-2A	PSB-3A	PSB-5A
Input	110~120 Vac (or 230~240VAc)	110~120 Vac (or 230~240VAc)	110~120 Vac (or 230~240VAc)	110~120 Vac (or 230~240VAc)
Output	12 VDC (or 24VDC)	12 VDC (or 24VDC)	12 VDC (or 24VDC)	12 VDC (or 24VDC)
12 VDC	✗	1 LED Power status	2 LEDs *	2 LEDs *
24 VDC	2 LEDs *	2 LEDs *	2 LEDs *	2 LEDs *
Build in triple section fuse protection (PPTC)	✓	✓	✓	✓
Output contact port	1	1	3	5
12VDC case Size(mm)	(L)230(W)200(D)80	(L)230(W)200(D)80	(L)330(W)330(D)80	(L)330(W)330(D)80
24VDC case Size(mm)	(L)330(W)330(D)80	(L)330(W)330(D)80	(L)330(W)330(D)80	(L)330(W)330(D)80
Build-in backup * battery Charger	✓	✓	✓	✓
Tamper Switch *	✓	✓	✓	✓

- *Optional: Tamper Switch: When housing case is opened, the tamper switch will switch to N.O. (Normal Open)
- *Battery charger and may accommodate up to 2 batteries that provide continuous operation of access controls and locking hardware during a power failure.
- *Power and Charge status LEDs indicate in tri-color.
- *Power LED in yellow= power activates.
- *Charge LED in red = charge activates.
- *Power LED in green = battery power outputs.

Application



PSB3A-2A-115
PSB3A-2A-230



To switch DC output
screw fastened:

Optional Accessories

PSB-TAMPER



(PSB-5A)

1. Status LED specifications

- Power:

Yellow: Both AC input and DC outputs are at normal status.

Green: There is no AC input, and the power is supplied by the batteries.

Red: There is no output voltage.

- Charge:

Red light on: The batteries are charging.

Red light off: The batteries are finished charging. (If the light is off immediately after the power is on, there may be some damages with the batteries).

2. Installation specifications

- There is always voltage output between the OUTPUT 1~2.

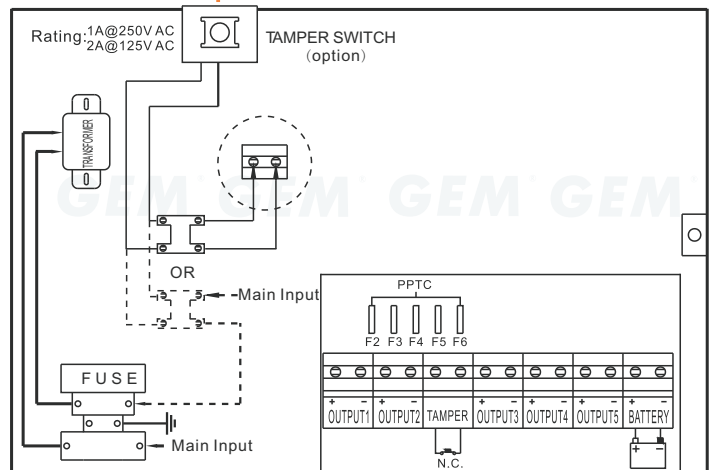
When the TAMPER is at N.C, there is voltage output between the OUTPUT 3~5, and when the TAMPER is at N.O, there is no voltage output.

- Each OUTPUT is protected by individual PPTC from over current; therefore each load of output may not exceed 1AMP.

- TAMPER switch: system on-off push switch mounted on outside cover. When outside cover is close, TAMPER switch is on N.C; when outside cover is open, TAMPER switch is on N.O.

■ For series connection at "L", it will disconnect the main power for 230Vac.

■ For parallel connection at the TAMPER, it will control the output between the OUTPUT 3~5.



Warranty

The product is warranted against defects in material and workmanship while used in normal service for a period of 1 year from the date of sale to the original customer. The GEM policy is one of continual development and improvement; therefore GEM reserves the right to change specifications without notice.