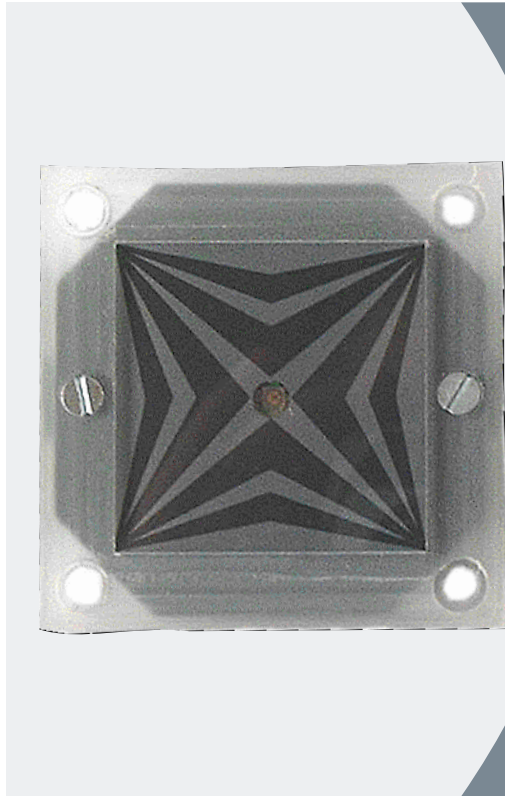




1104/12

PANEL MOUNT READER



The 'Panel Mount' reader has been designed to fit neatly behind a 40mm square panel aperture. 40mm is the industry standard for integrating a proximity reader within a door entry panel, separate flush or surface stainless steel reader housings are also available.

Operation:

The LED of the reader is red when ready to read a FDI Token. When a token is presented to the reader, the LED flashes red/green and the code is transmitted to the control unit.

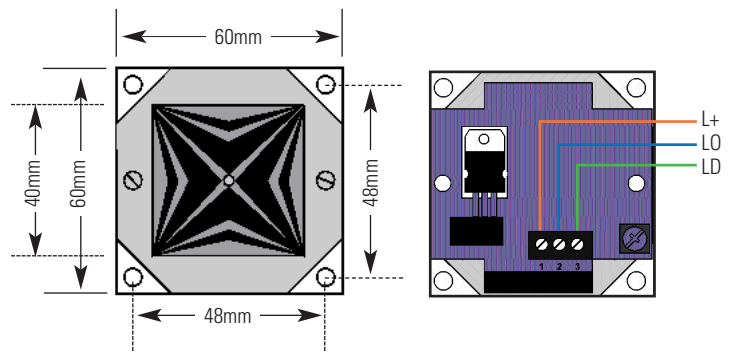
If the key is valid, the LED will change to green for 3 seconds

Trouble shooting: Reader LED

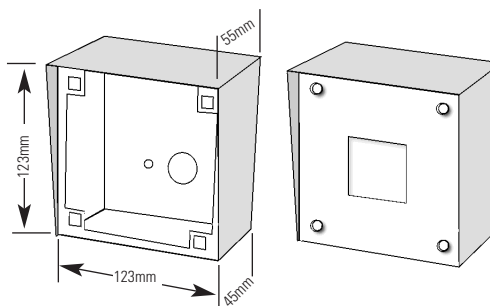
LED Off	Not powered
LED flashing red/green every second	No communication with the control unit, check the LD wire
LED is not flickering when a key is presented	Different technology between key and reader

1104/14 Proxter IP65 specifications

Power supply	12V DC (supply by the control unit)
Current	30mA
Wire gauge	3 wires / 100m max CAT5
Size	78mm x 43mm x 17mm
Read range	Up to 60mm
Excitation frequency	125 KHz
Operating temperature	0° to 60°
Protection	MOV



EB-PROX stainless steel surface housing



EBS-PROX stainless steel flush housing

