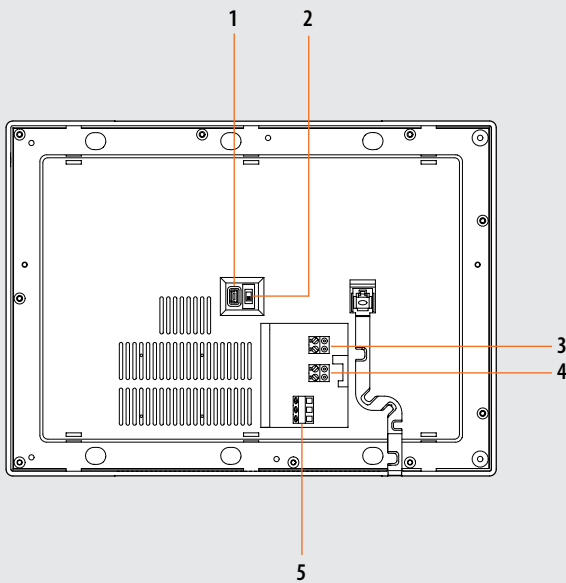


Rear view



Legend

1. Mini-USB connector for PC connection
2. Line termination ON/OFF micro-switch
3. Clamps for the connection of the 2-WIRE SCS BUS BTicino
4. Additional power supply connection clamps (1 - 2)
5. Clamps for the connection of the power supply of the audible signal device (optional)

Functional notes

The maximum installation distances are the same as for 2 WIRE handsets.

Calls from entrance panels are received by all switchboards connected to the system (the first switchboard answering takes the call).

Calls from handsets may be managed in two different ways (based on the configuration of the handsets themselves):

mode 1 – handsets configured with P=0 – the calls from these handsets are received by all the switchboards of the system (the first switchboard answering takes the call).

mode 2 – example, Handset configured with P=81 – the calls from these handsets are only received by the secondary switchboard configured with 1; handsets configured with P=95 – calls from these Handsets are only received by the secondary handset configured with 15.

The management of the operating mode (day/night) is only entrusted to the main switchboard (configured with 0).

Configuration

The switchboard must be configured as far as:

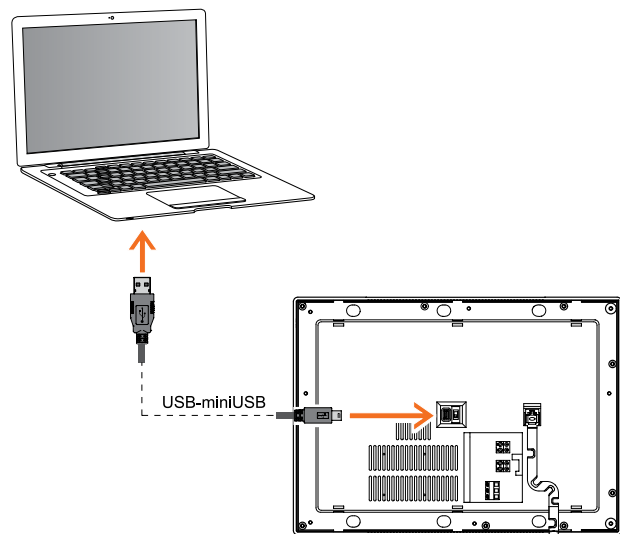
- **Setting of the local switchboard address** (0 or 1 - 15)
- **Setting of the associated entrance panel address** (1 - 80)
- **Setting of any associated service handset**

Two different configuration modes are available:

- directly from the icon menu of the switchboard
- using a PC with the TiSwitchboardDevice software installed (available in the CD supplied)

WARNING: certain specific functions, such as the filling of the directories and the management of the ringtones, require the configuration to be performed using the PC.

To transfer the configuration performed using the software or to update the device, connect the switchboard to the PC using the USB-mini cable.



To enable communication the device must be powered.