



## 2 WIRE Switchboard

346310

### Description

Switchboard for 2 WIRE audio and video systems. It provides access to various services (video door entry system functions, door lock and/or stair light management, and monitoring of apartment alarms) directly from the keyboard, or using the intuitive icons menu. The switchboard is supplied with built-in table-top support and has a 7" colour LCD display, receiver and handsfree, dedicated keys for the main functions, and configurable keys. Programming can be performed directly from the device, or using a PC with the TiSwitchBoardDevice software installed (supplied). It gives the possibility of creating a directory of handsets, entrance panels, and switchboard. the device DOES NOT MANAGE secondary EPs and apartment EPs (connected downstream the apartment interface 346850). The use of additional power supply is recommended.

It is possible to connect up to maximum 16 switchboards (configured from 0 to 15).

**WARNING: the switchboard cannot be used in systems with 2 WIRE IP interface 346890.**

### Related items

**336982** LIVINGLIGHT white series 8 pole socket for table-top installation of the switchboard

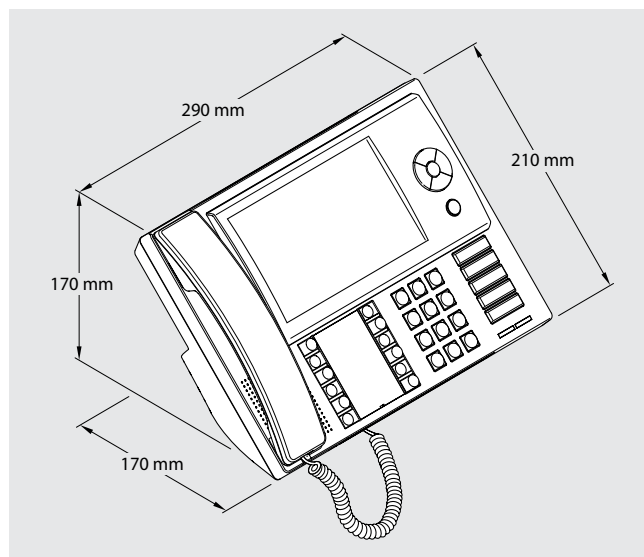
**336803** (8 poles - frayed) cable for table-top installation of the switchboard

**346020** additional 2 DIN modules power supply

### Technical data

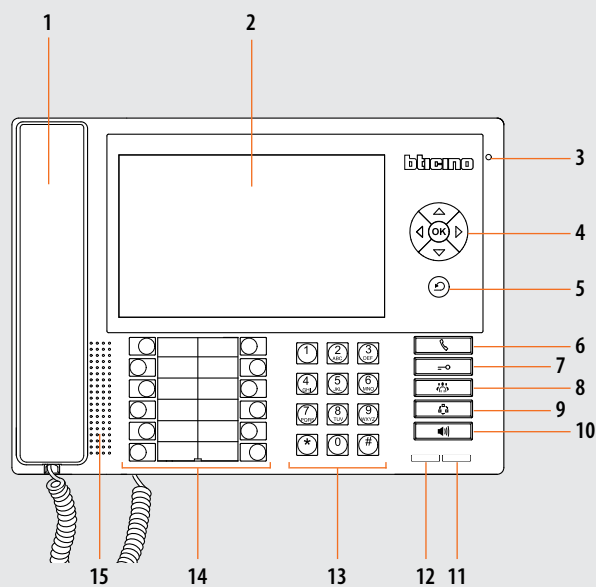
Power supply from SCS BUS:	19 – 27 Vdc
Absorptions from BUS (without additional supply):	
- stand by absorption:	35 mA
- max. operating absorption:	450 mA
Absorptions from BUS (with additional supply):	
- stand by absorption:	5 mA
- max. operating absorption:	20 mA
Operating temperature:	5 - 40 °C
Load of relay contacts:	24 Vac / 24 Vdc
	3 A, cosφ = 1

### Dimensional data



BT00680-a-EN

Front view



### Legend

1. Handset
2. 7" colour LCD display for the displaying of the user and programming menu and of the images recorded by the entrance panel or cameras
3. Microphone
4. Navigation keypad. It enables navigating through the menus, with the possibility of confirming the selection (OK key)
5. Cancel key
6. Direct call key
7. Door lock release key
8. Directory access key
9. Entrance panel and camera cycling activation key
10. Handsfree key
11. Alarm warning LED
12. Operation status LED:
  - LED ON (steady)=device in stand-by
  - LED ON (flashing quickly)=call pending
  - LED ON (flashing slowly)=busy
13. Alphanumeric key
14. Keypad + legend of configurable functions
15. Loudspeaker