



SWING

Colour video handsets

344824

Description

SWING 2 wire TFT colour video handset for wall mount installation. It has the following pushbuttons: door lock release, and 4 programmable keys (0-1-2-3), which operating mode is set through the configuration.

The volume of the bell can be adjusted, or the bell may be disabled. It has 16 different pre-programmed bells. It also performs the following functions: conversation secrecy, master/slave, office (when the call is made from the entrance panel the associated door lock automatically opens without the need for pressing the relevant key on the handset), door lock status check.

When a SWING handset is used together with an "Elettrika" CISA door lock (with accessory 346240), it is possible to control the status of the door lock connected to the system using door lock actuators, item 346230 art.346260.

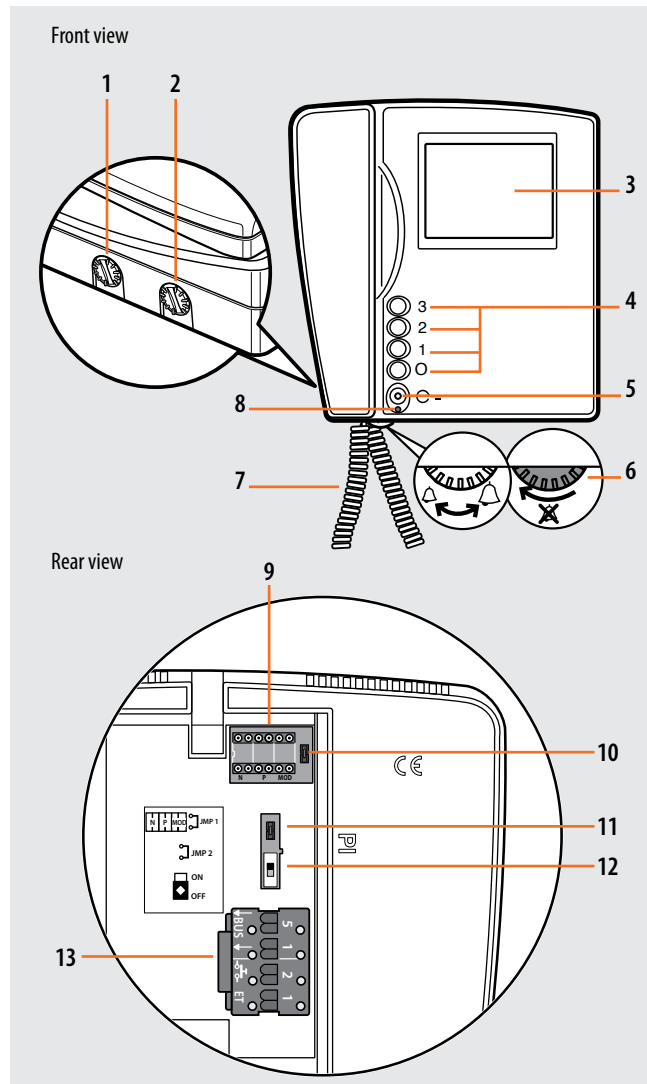
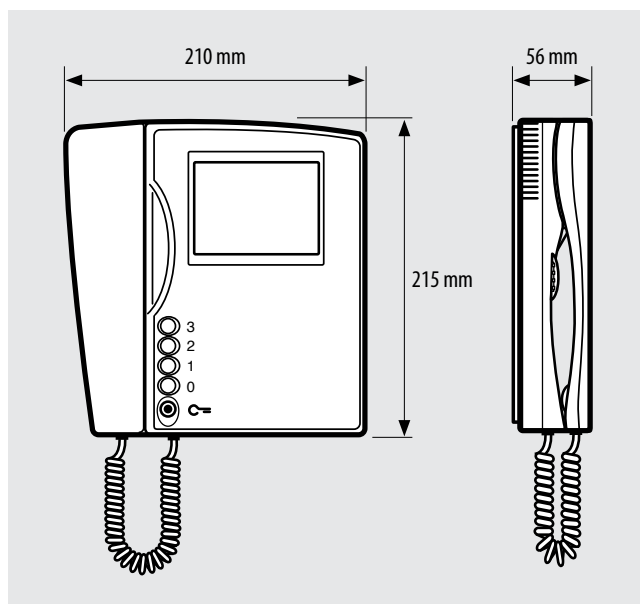
If the "Elettrika" CISA door lock is open, the SWING Handset LED flashes. The LED will continue flashing while the lock remains open.

Wall fixing bracket supplied.

Technical data

Power supply from SCS BUS:	18 – 27 Vdc
Stand by absorption:	5 mA
Max. operating absorption:	290 mA
Horizontal resolution:	250 TV lines
Vertical resolution:	300 TV lines
Operating temperature:	5 – 40 °C

Dimensional data



Legend

1. Monitor colour adjustment
2. Brightness adjustment monitor
3. 4" colour LCD monitor
4. 4 programmable keys (0-1-2-3) using the configuration
5. Door lock key
6. Bell volume adjustment and exclusion
7. Extensible cord capped on both ends with RJ connectors
8. Door status signalling LED or activation of the office function
9. Configurator socket
10. Master/Slave jumper (JMP1) (Remove for Slave)
11. Jumper (JMP2) to be removed when an additional power supply is used
12. Line termination ON/OFF micro-switch
13. Clamps for the connection of the 2 WIRE BUS, additional power supply, and auxiliary floor call function, as well as extra bell.

BT00644-a-EN