



Universal speaker unit and pushbutton expansion

346991 - 346992

Description

The universal speaker unit can be used to install the 2 WIRE audio system in new or refurbished systems, where special pushbutton panels are present or required (mail boxes, patterned brass, monobloc laminates, etc.) preset for a traditional type speaker module (e.g. 2659N). The universal speaker unit has a set of clamps for the connection of 8 call pushbuttons. In systems with more than 8 call pushbuttons, one item 346992 must be added for every 8 pushbuttons (max. 56); For the connection, the multicable with 2 connectors supplied with item 346992 must be used.

Microphone sensitivity adjustment and loudspeaker volume using dedicated potentiometers. For the control of an electric door lock, an actuator item 346230/346260 appropriately configured must be used.

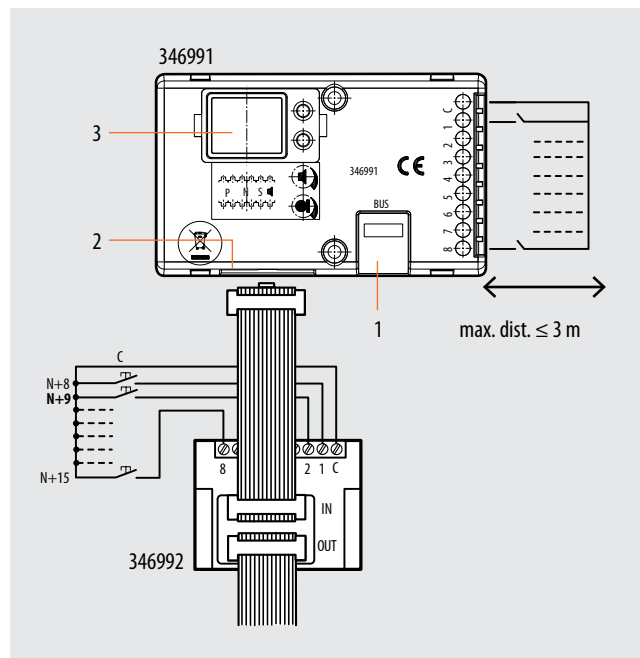
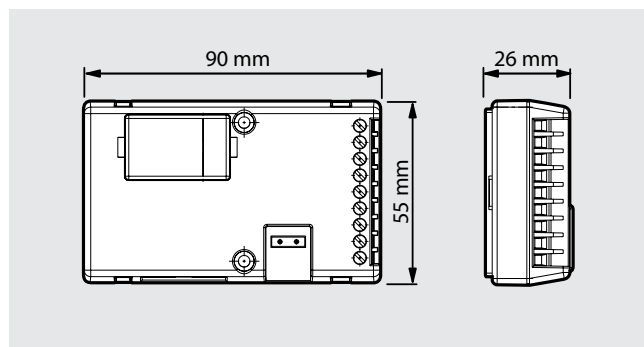
The microphone of the speaker unit may be disconnected from the device and positioned at a distance of 15 cm (max.).

In video systems, the device must be used together with native 2 WIRE cameras or camera with coaxial output using interface item 347400.

Technical data

Power supply from SCS BUS: 18-27 Vdc
 Max. operating absorption: 65 mA
 Stand by absorption: 15 mA
 Operating temperature: (-25)-(+70)°C

Dimensional data



Legend

Item 346991:

- 1 - Clamps for the connection of the 2 WIRE BUS
- 2 - Item 346992 connector socket
- 3 - Configurator socket
- (C) common pushbuttons
- (1-8) connection of call pushbuttons

Clamps item 346992:

- (C) common pushbuttons
- (1-8) connection of call pushbuttons