



# SFERA NEW - SFERA ROBUR

## Badge reader module

353200

### Description

RFID badge reader module for the release of the door lock by swiping the badge. It manages up to 20000 badges. It's fitted with relay contacts (C – NO – NC) and clamps (CP - P1 - P2) for the connection of a local door release pushbutton. The badge for the release of the door lock can be programmed from the module itself, or using a PC after downloading the module programming file. It also has a programming reset pushbutton and LEDs for the visual notification of the access status. Night backlighting a LEDs. To be completed with surround plate. It is connected to the other modules using the appropriate multicable supplied. The device may also be used as a stand alone unit with independent power supply and operation. Configuration performed using physical configurators, or a PC with the TiSferaDesign software installed.

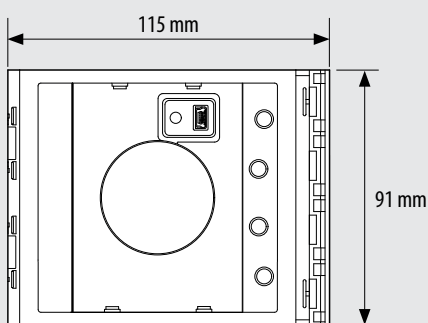
### Related items

- 353201 Sfera New badge reader front cover - Allmetal (IK 08)
- 353202 Sfera New badge reader front cover - Allwhite (IK 08)
- 353203 Sfera New badge reader front cover - Allstreet (IK 08)
- 353205 Sfera Robur badge reader front cover (IK 09)
- 348200 badge - black
- 348201 badge - red
- 348202 badge - green
- 348203 badge - blue
- 348204 badge - orange
- 348205 badge - grey
- 348206 badge - yellow

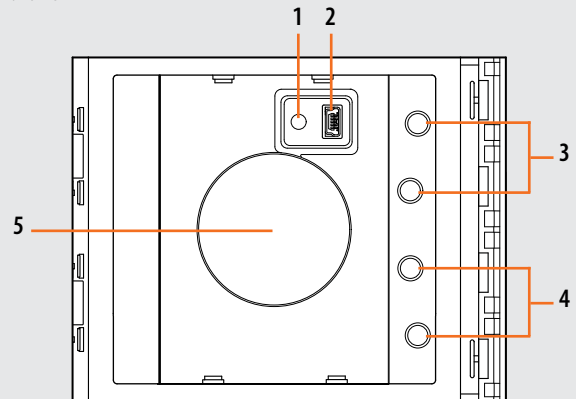
### Technical data

Power supply from SCS BUS:	18 – 27 Vdc
Stand by absorption (with backlighting LEDs off):	75 mA
Stand by absorption (with backlighting LEDs on):	85 mA
Max. operating absorption:	105 mA
Operating temperature:	(-25) – (+70) °C
Protection index (pushbutton panel assembled):	IP 54

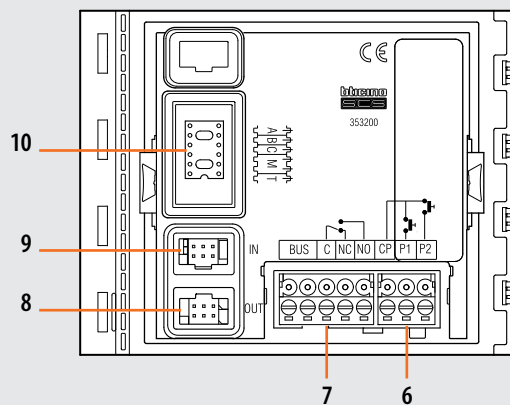
### Dimensional data



Front view



Rear view



### Legend

1. RESET pushbutton
2. Mini-USB connector for the connection to the PC : programming and device firmware update
3. Red LED for access status notification. **Red LED ON = access denied**
4. Green LED for access status notification. **Green LED ON = access granted**
5. Antenna
6. Plug-in clamps (CP - P1 - P2) for the connection of an additional pushbutton and tamper
7. Plug-in clamps (C – NC – NO) for local relay contacts and connection to the 2 WIRE SCS BUS
8. Connector for the connection to subsequent modules
9. Connector for the connection to previous modules
10. Configurator socket

BT00606-a-EN