



# SFERA NEW - SFERA ROBUR

## Inductive loop and control speech synthesis module

352700

### Description

Inductive loop and control speech synthesis module, to be used with the 351100 speaker module or with audio/video modules 351200 - 351300, to enable use by people wearing hearing aids (fitted with T selector). It is connected to the speaker module using the appropriate multicable supplied. To be completed with surround plate. The device can be configured either physically or using the PC and the TISferaDesign software.

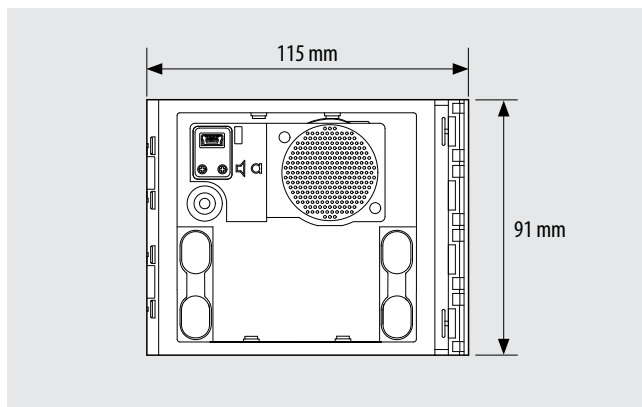
### Related items

- 352701 front cover for the Sfera New inductive loop and control speech synthesis - Allmetal (IK 08)
- 352702 front cover for the Sfera New inductive loop and control speech synthesis - Allwhite (IK 08)
- 352703 front cover for the Sfera New inductive loop and control speech synthesis - Allstreet (IK 08)
- 352705 front cover for the Sfera Robur inductive loop and control speech synthesis (IK 10)

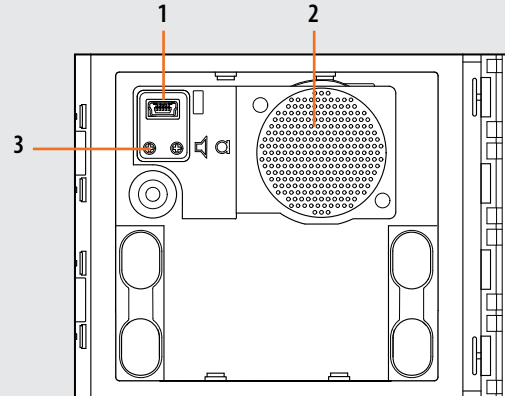
### Technical data

Power supply from SCS BUS:	18 – 27 Vdc
Stand by absorption:	18 mA
Max. operating absorption:	60 mA
Operating temperature:	(-25) – (+70) °C
Protection index (pushbutton panel assembled):	IP 54

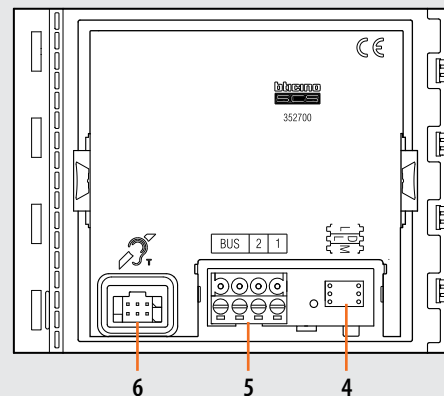
### Dimensional data



Front view



Rear view



### Legend

1. Mini-USB connector for the connection to the PC : configuration and device firmware update
2. Loudspeaker
3. Loudspeaker volume adjustment
4. Configurator socket
5. Plug-in clamps for the connection of the local power supply and the 2 WIRE SCS BUS
6. Connector for the connection of the speaker module

BT00604-a-EN