



SFERA NEW - SFERA ROBUR

Wide angle audio and video module

351300

Description

Wide angle audio/video module for the installation of 2 WIRE colour video systems. With Colour camera with 1/3" sensor and white LEDs for the lighting of the shooting field. Mist prevention heating resistance. Loudspeaker and Microphone volume adjustments. It can manage up to 98 pushbutton calls using the additional double row pushbutton modules. It offers the possibility of opening an electrical door lock directly connected to clamps S+ and S- (18 V 4 A impulsive - 250 mA holding current 30 Ohm max) and of connecting a local door lock release pushbutton on clamps PL. Preset for additional power supply. Fitted with front LEDs for the notification of the operating status: door lock release, communication active, call put through, and system busy. Integrated optic sensor for the switching on of the night backlighting. To be completed with surround plate. The device must be configured physically or using a PC and the TISferaDesign software.

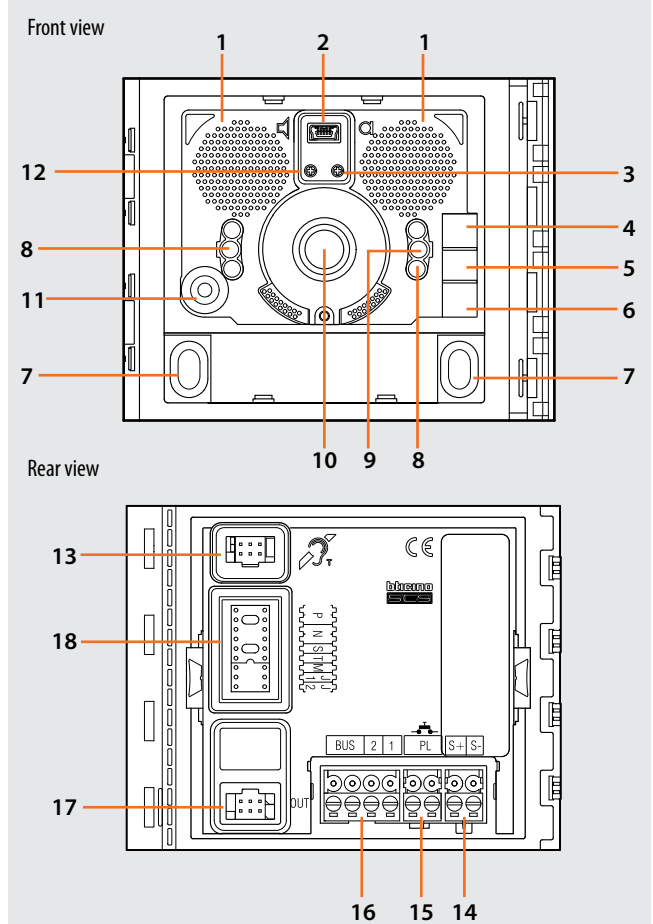
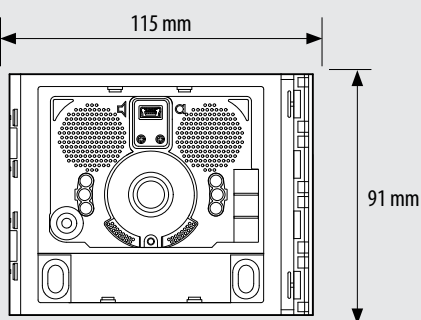
Related items

- 351301 Sfera New wide angle A/V front cover - Allmetal (IK 08)
- 351302 Sfera New wide angle A/V front cover - Allwhite (IK 08)
- 351303 Sfera New wide angle A/V front cover - Allstreet (IK 08)
- 351311 Sfera New wide angle A/V front cover with 1 pushbutton - Allmetal (IK 08)
- 351312 Sfera New wide angle A/V front cover with 1 pushbutton - Allwhite (IK 08)
- 351313 Sfera New wide angle A/V front cover with 1 pushbutton - Allstreet (IK 08)
- 351321 Sfera New wide angle A/V f/cover with 2 pushbuttons on double row - Allmetal (IK 08)
- 351322 Sfera New wide angle A/V f/cover with 2 pushbuttons on double row - Allwhite (IK 08)
- 351323 Sfera New wide angle A/V f/cover with 2 pushbuttons on double row - Allstreet (IK 08)
- 351305 Sfera Robur wide angle A/V f/cover (IK 10)
- 351315 Sfera Robur wide angle A/V f/cover with 1 pushbutton (IK 10)
- 351325 Sfera Robur wide angle A/V f/cover with 2 pushbuttons on double row (IK 10)

Technical data

Power supply from SCS BUS:	18 - 27 Vdc
Stand by absorption (with backlighting LEDs off):	15 mA
Stand by absorption (with backlighting LEDs on):	20 mA
Max. operating absorption:	140 mA
Colour sensor:	1/3"
Lens:	F2.5 f1.8 mm
Resolution:	330 TV lines (horizontal)
Illumination of the viewing field:	white LED
Brightness adjustment:	Automatic
Interlace:	2 : 1
Mist prevention heating resistance	
Operating temperature:	(-25) - (+70)°C
Protection index (pushbutton panel assembled):	IP 54

Dimensional data



Legend

1. Loudspeaker
2. Mini-USB connector for the connection to the PC : download/upload the advanced configuration and device firmware update
3. Microphone volume adjustment
4. LED for door status notification. GREEN ON = door open
5. LED for communication status notification. GREEN ON = active communication
6. LED for system status notification. GREEN ON = put through call
RED ON= busy system
7. Call pushbuttons
8. White LEDs for night lighting of the shooting field
9. Light sensor for automatic switching on of the night backlighting
10. Wide angle colour camera
11. Microphone
12. Loudspeaker volume adjustment
13. Connector for the connection of the 352700 inductive loop module
14. Plug-in clamps for the connection and control of the electrical door lock (18 V 4 A impulsive 250 mA holding current 30 ohm max)
15. Plug-in clamps for the connection of the local door lock release pushbutton
16. Plug-in clamps for the connection of the local power supply and the 2 WIRE SCS BUS
17. Connector for the connection to subsequent modules
18. Configurator socket

BT00598-a-EN