



SFERA NEW - SFERA ROBUR

Speaker module

351100

Description

Speaker module for the creation of 2 WIRE audio & video systems. Fitted with loudspeaker and microphone volume adjustment. It can manage up to 100 pushbutton calls when using additional double row pushbutton modules. It can be used for opening an electrical door lock directly connected to the S+ and S- clamps (18 V 4 A impulsive - 250 mA holding current 30 Ohm max) and the connection to a local door lock release pushbutton on the PL clamps. Preset for additional power supply. Fitted with front LEDs for the notification of the operating status: door lock release, communication active, call put through, and system busy. Integrated optic sensor for the switching on of the night backlighting. To be completed with surround plate. The device can be configured either physically or using the PC and the TiSferaDesign software.

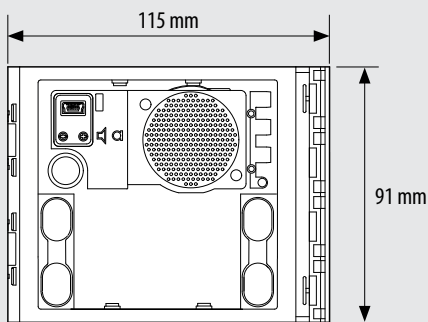
Related items

- 351101 Sfera New speaker module front cover - Allmetal (IK 08)
- 351102 Sfera New speaker module front cover - Allwhite (IK 08)
- 351103 Sfera New speaker module front cover - Allstreet (IK 08)
- 351111 Sfera New speaker module front cover, 1 pushbutton - Allmetal (IK 08)
- 351112 Sfera New speaker module front cover, 1 pushbutton - Allwhite (IK 08)
- 351113 Sfera New speaker module front cover, 1 pushbutton - Allstreet (IK 08)
- 351121 Sfera New speaker module front cover, 2 pushbuttons - Allmetal (IK 08)
- 351122 Sfera New speaker module front cover, 2 pushbuttons - Allwhite (IK 08)
- 351123 Sfera New speaker module front cover, 2 pushbuttons - Allstreet (IK 08)
- 351141 Sfera New speaker module f/cover, 2 pushbuttons on double column - Allmetal (IK 08)
- 351142 Sfera New speaker module f/cover, 2 pushbuttons on double column - Allwhite (IK 08)
- 351143 Sfera New speaker module f/cover, 2 pushbuttons on double column - Allstreet (IK 08)
- 351181 Sfera New speaker module f/cover, 4 pushbuttons on double column - Allmetal (IK 08)
- 351182 Sfera New speaker module f/cover, 4 pushbuttons on double column - Allwhite (IK 08)
- 351183 Sfera New speaker module f/cover, 4 pushbuttons on double column - Allstreet (IK 08)
- 351105 Sfera Robur speaker module front cover (IK 10)
- 351115 Sfera Robur speaker module front cover, 1 pushbutton (IK 10)
- 351125 Sfera Robur speaker module front cover, 2 pushbuttons (IK 10)
- 351145 Sfera Robur speaker module front cover on double column, 2 pushbuttons (IK 10)
- 351185 Sfera Robur speaker module front cover on double column, 4 pushbuttons (IK 10)

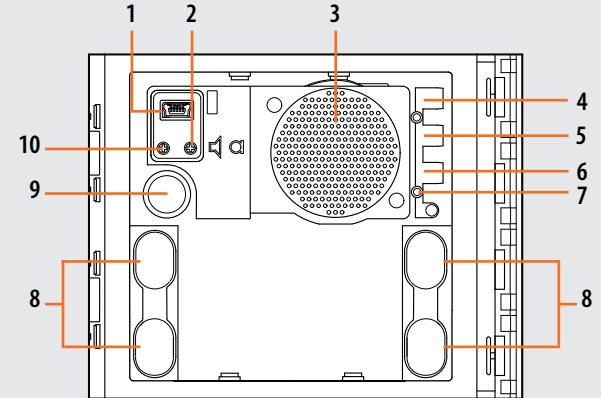
Technical data

Power supply from SCS BUS:	18 - 27 Vdc
Stand by absorption (with backlighting LEDs off):	10 mA
Stand by absorption (with backlighting LEDs on):	15 mA
Max. operating absorption:	65 mA
Operating temperature:	(-25) - (+70) °C
Protection index (pushbutton panel assembled):	IP 54

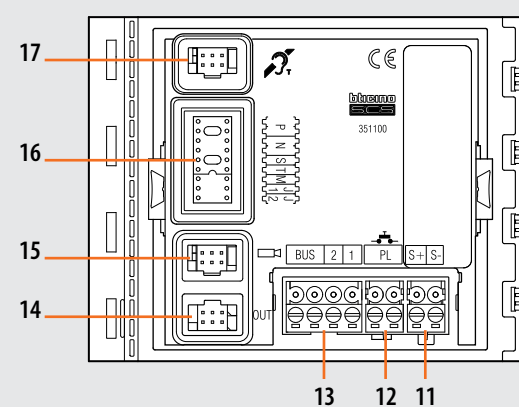
Dimensional data



Front view



Rear view



Legend

1. Mini-USB connector for the connection to the PC : download/upload the advanced configuration and device firmware update
2. Microphone volume adjustment
3. Loudspeaker
4. LED for door status notification. **GREEN ON = door open**
5. LED for communication status notification. **GREEN ON = active communication**
6. LED for system status notification. **GREEN ON = put through call**
RED ON = busy system
7. Light sensor for automatic switching on of the night backlighting
8. Call pushbuttons
9. Microphone
10. Loudspeaker volume adjustment
11. Plug-in clamps for the connection and control of the electrical door lock (18 V 4 A impulsive 250 mA holding current 30 ohm max)
12. Plug-in clamps for the connection of the local door lock release pushbutton
13. Plug-in clamps for the connection of the local power supply and the 2 WIRE SCS BUS
14. Connector for the connection to subsequent pushbutton modules
15. Connector for the connection of the N&D 352400 camera module
16. Configurator socket
17. Connector for the connection of the 352700 inductive loop module

BT00596-a-EN