



SFERA NEW - SFERA ROBUR

Basic speaker module

351000

Description

Basic speaker module for the creation of 2 WIRE audio systems. Fitted with loudspeaker and microphone volume adjustment.

It manages up to 100 pushbutton calls using additional double row pushbuttons.

It can be used for opening an electrical door lock directly connected to the S+ and S- clamps (18 V 4 A impulsive - 250 mA holding current 30 Ohm max) and the connection to a local door lock release pushbutton on the PL clamps. To be completed with surround plate. The device must be physically configured.

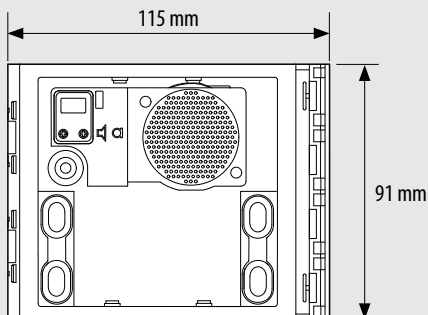
Related items

- 351001 Sfera New speaker module front cover - Allmetal (IK 08)
- 351002 Sfera New speaker module front cover - Allwhite (IK 08)
- 351003 Sfera New speaker module front cover - Allstreet (IK 08)
- 351011 Sfera New speaker module front cover, 1 pushbutton - Allmetal (IK 08)
- 351012 Sfera New speaker module front cover, 1 pushbutton - Allwhite (IK 08)
- 351013 Sfera New speaker module front cover, 1 pushbutton - Allstreet (IK 08)
- 351021 Sfera New speaker module front cover, 2 pushbuttons - Allmetal (IK 08)
- 351022 Sfera New speaker module front cover, 2 pushbuttons - Allwhite (IK 08)
- 351023 Sfera New speaker module front cover, 2 pushbuttons - Allstreet (IK 08)
- 351041 Sfera New speaker module f/cover, 2 pushbuttons on double column - Allmetal (IK 08)
- 351042 Sfera New speaker module f/cover, 2 pushbuttons on double column - Allwhite (IK 08)
- 351043 Sfera New speaker module f/cover, 2 pushbuttons on double column - Allstreet (IK 08)
- 351081 Sfera New speaker module f/cover, 4 pushbuttons on double column - Allmetal (IK 08)
- 351082 Sfera New speaker module f/cover, 4 pushbuttons on double column - Allwhite (IK 08)
- 351083 Sfera New speaker module f/cover, 4 pushbuttons on double column - Allstreet (IK 08)
- 351005 Sfera Robur speaker module front cover (IK 10)
- 351015 Sfera Robur speaker module front cover, 1 pushbutton (IK 10)
- 351025 Sfera Robur speaker module front cover, 2 pushbuttons (IK 10)
- 51045 Sfera Robur speaker module front cover, 2 pushbuttons on double column (IK 10)
- 351085 Sfera Robur speaker module front cover, 4 pushbuttons on double column (IK 10)

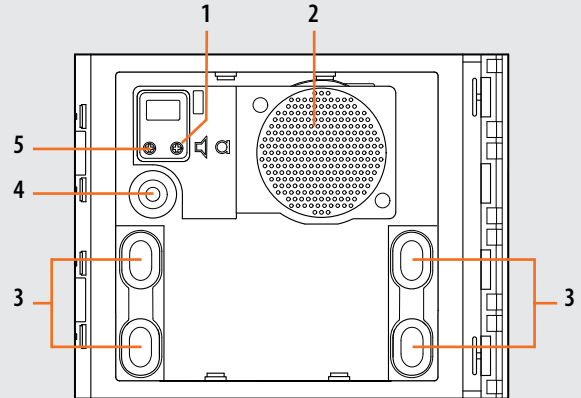
Technical data

Power supply from SCS BUS:	18 – 27 Vdc
Stand by absorption:	15 mA
Max. operating absorption:	65 mA
Operating temperature:	(-25) – (+70) °C
Protection index (pushbutton panel assembled):	IP 54

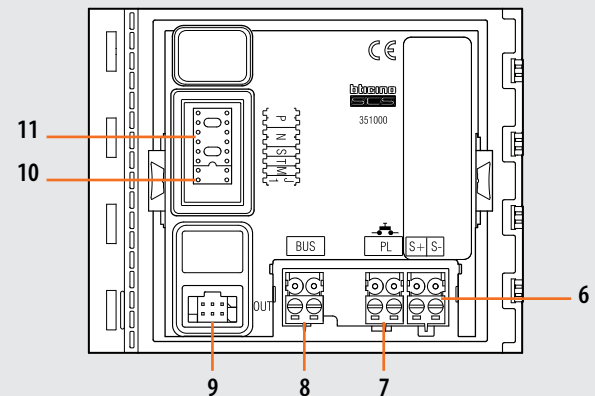
Dimensional data



Front view



Rear view



Legend

1. Microphone volume adjustment
2. Loudspeaker
3. Call pushbuttons
4. Microphone
5. Loudspeaker volume adjustment
6. Plug-in clamps for the connection and control of the electrical door lock (18 V 4 A impulsive 250 mA holding current 30 ohm max)
7. Plug-in clamps for the connection of the local door lock release pushbutton
8. Plug-in clamps for 2 WIRE SCS/BUS connection
9. Connector for the connection to subsequent pushbutton modules
10. Jumper J1: when connected it enables the right pushbutton column. When disconnected it enables the left pushbutton column
11. Configurator socket

BT00595-a-EN