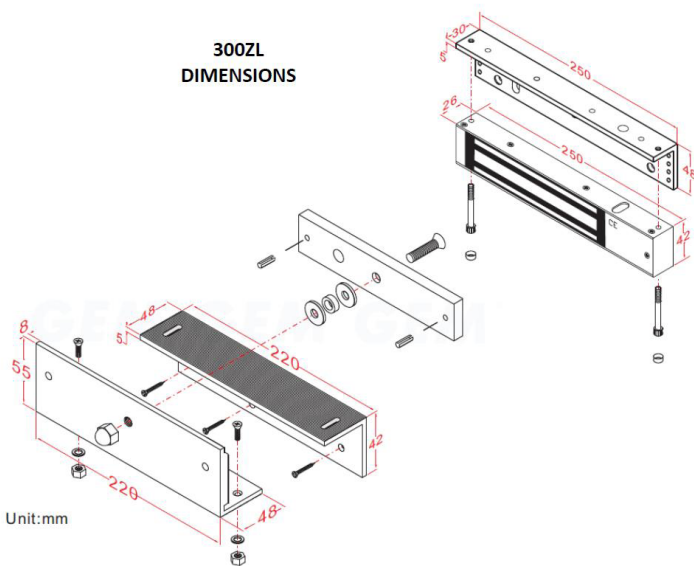
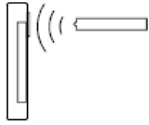


**300ZL  
DIMENSIONS**





**Note:**

- 1.all operations can be fulfilled via this wireless keyboard.
- 2.take the antenna of keyboard vertically aimed at the infrared area in order to good data transmitting.

### Enter the system

Press the \* and # button on the access control keyboard, follow the 4-digit primary password , and then press the # button, the indicator will flash red , a long tone “Di” will be heard, now enter setting mode.(note: The primary password is 4567.)

Note : the system is automatically quitted in 20 seconds of inactivity.

### Add user card

Enter the setting mode: Press the button “ 1 ” in the mean time a tone “Di” will be heard, take a magnetic card near the sensor of Access Control or input the last 6-digital card number . two tone “Di” indicates the user card success of user card adding . add other magnetic cards one by one with a continuous tone “Di” . With 4 tones “Di” indicates this card has already been added . After all user cards setting are completed, press the button \* to return to the setting mode, follow the button \* to return to the standby mode.

Note:Record the series numbers of these user cards.

### Delete user card

Enter the setting mode: Press the button “ 2 ” in the mean time a tone “Di” will be heard, take a magnetic card near the sensor of Access Control or input the last 6-digital card number. Two tone “Di” indicates the success of user card deleting .Delete other use cards one by one with a continuous voice “Di” . The 4 tones “Di” indicates this card has already been deleted . After all user cards deleting are completed, press the button \* to return to the setting mode, follow the button \* to return to the standby mode.

### Delete all cards

Enter the setting mode. Press the button “ 9 ” in the mean time a tone “Di” will be heard, follow the button “ 9 ” again, then hearing a continuous tone “Di” , the tone disappearance indicates the all user cards are deleted. press the button \* to return to the setting mode, follow the button \* to return to the standby mode.

### Change the administration password

Enter the setting mode. Press the button “ 8 ” in the mean time a tone “Di” will be heard, input the 4-digit new password , then press the # button. When hearing a tone “Di” , repeat the new password and the button # to confirm in the mean time two tones “DiDi” will be heard,. If the continuously voice are heard, repeat again this operation as above till the two tones “DiDi” is heard.

### set the delay time for door unlocking

Enter the setting mode. Press the button “ 4 ” in the mean time a tone “Di” will be heard ,input the unlocking delay time (01to 99 are available),press the button \* to return to the setting mode, follow the button \* to return to the standby mode.

### Set the building and entrance

Enter the setting mode. Press the button “ 3 ” in the mean time a tone “Di” will be heard ,input the building number (XXXX) and entrance number(XX),press the button # to confirm. press the button \* to return to the setting mode, follow the button \* to return to the standby mode.