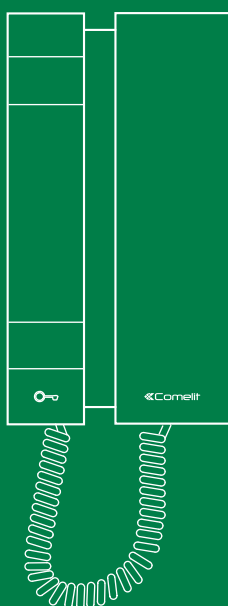


EN

TECHNICAL
MANUAL



Mini 2708W/A
Door-entry phone with handset - Simplebus1

 **Comelit**[®]
Passion. Technology. Design.

Warning

Intended use

This Comelit product has been designed and manufactured for use in the creation of audio and video communication systems in residential, commercial, industrial and public buildings.

Installation

All activities connected to the installation of Comelit products must be carried out by qualified technical personnel, with careful observation of the indications provided in the Manuals / Instruction sheets supplied with those products.

Wires

Disconnect the power supply before carrying out any operations on the wiring.

Use wires with a cross-section suited to the distances involved, observing the instructions provided in the system manual.

We advise against running the system wires through the same duct as power cables (230V or higher).

Safe usage

To ensure Comelit products are used safely:

- carefully observe the indications provided in the Manuals / Instruction sheets,
- make sure the system created using Comelit products has not been tampered with / damaged.

Maintenance

Comelit products do not require maintenance aside from routine cleaning, which should be carried out in accordance with the indications provided in the Manuals / Instruction sheets.

Any repairs must be carried out:

- for the products themselves, exclusively by **Comelit Group S.p.A.**,
- for the systems, by qualified technical personnel.

Disclaimer

Comelit Group S.p.A. does not assume any responsibility for

- any purpose other than the intended use,
- failure to observe the indications and warnings contained in this Manual / Instruction sheet.

Comelit Group S.p.A. reserves the right to change the information provided in this Manual / Instruction Sheet at any time and without prior notice.

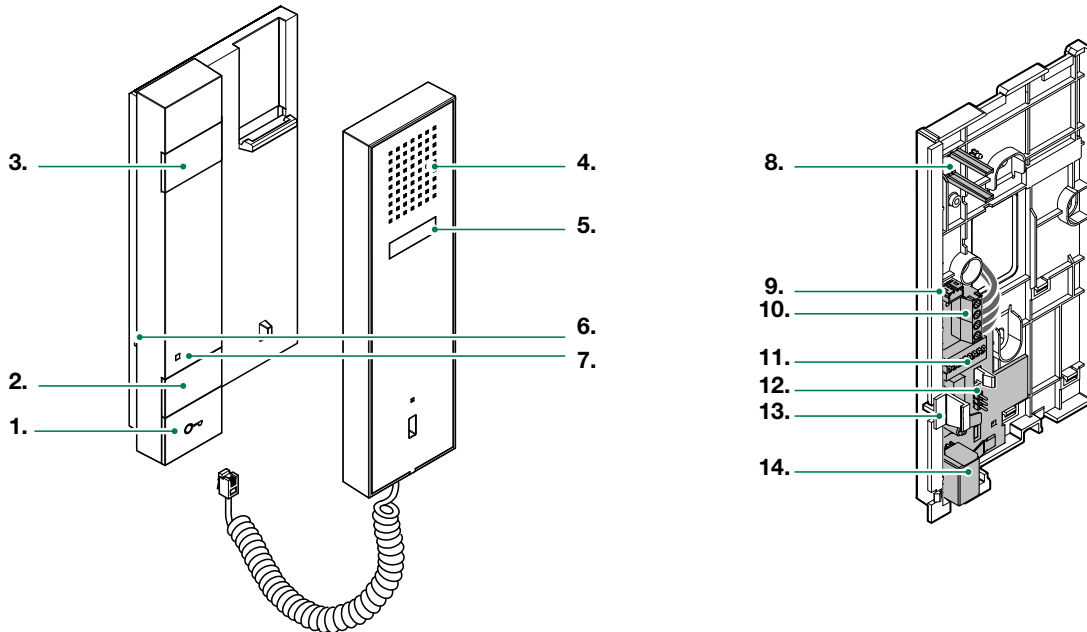
Table of contents

Description.....	3
Technical characteristics.....	4
Installation.....	5
Connections.....	6
Connection to the door entry riser and the floor door call button	6
Programming	6
Addressing table.....	7
System performance and layouts	8

Description

Mini series door-entry phone with handset for Simplebus 1 audio systems. Equipped with a key button, button for additional services such as calls to the porter switchboard..., call volume adjustment, Silent mode (Privacy) and floor call input. Correct positioning of the handset on the base is facilitated by invisible magnetised panels.

The additional board art. 2735 is available to purchase separately, for an additional button with voltage free contacts and call repetition.



- 1. Lock-release button
- 2. P1 button: Generic actuator/Switchboard call
- 3. Additional button
✓ On card 2735, available to purchase separately.
- 4. Loudspeaker
- 5. Audio hook

Do not press and hold the audio hook while the handset is lifted!

- 6. Ringtone volume adjuster
Top position = Ringtone at maximum volume
Central position = Ringtone at medium volume
Bottom position = Ringtone in silent mode (Privacy)
- 7. Red: silent mode *enabled*

- 8. Remove the 2 elements only if the additional button on board art. 2735 is being used.
- 9. Connector for additional board art. 2735
- 10. Terminal block M1
CFP CFP Floor door call input
L L Bus line connection
- 11. DIP-switch for setting user code (Paragraph "Programming" on page 6)
- 12. **JP1** jumper for selecting the *Generic actuator* or *Switchboard call* function of button P1



A = Generic actuator



C = Switchboard call

- 13. 3-position ringtone volume selector
- 14. Handset connector

Technical characteristics

GENERAL DATA

Product height (mm)	190
Product width (mm)	103
Product depth (mm)	28
Product weight (g)	300
Product colour	White RAL9003
Material	ABS
Surface-mounted	Yes
Desk base-mounted	Yes, with specific accessory

COMPATIBLE SYSTEMS

Simplebus1 audio	Yes
------------------	-----

AUDIO SPECIFICATIONS

Microphone	9.6 (∅) x 6.9mm, omnidirectional
Loudspeaker	50 mm (∅), 50 Ohm, 0.25W
Technologies implemented	Full-Duplex

ELECTRICAL SPECIFICATIONS

Type of power supply	Power supply via video entry bus
Power supply voltage	22 - 28 VDC
Maximum absorption (W)	0.6

HARDWARE CHARACTERISTICS

Type of buttons	Mechanical
Service buttons	Lock-release
Terminals	L L CFP CFP
Number of inputs (no.)	1

SETTINGS

Ringtone volume	Yes
-----------------	-----

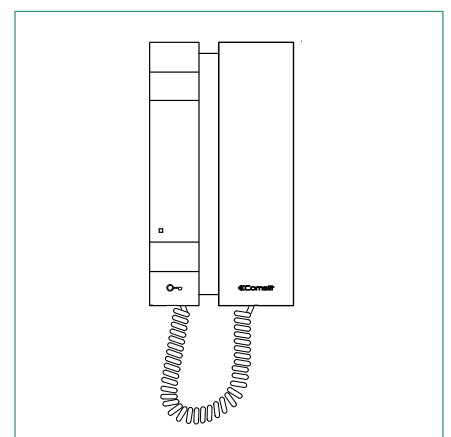
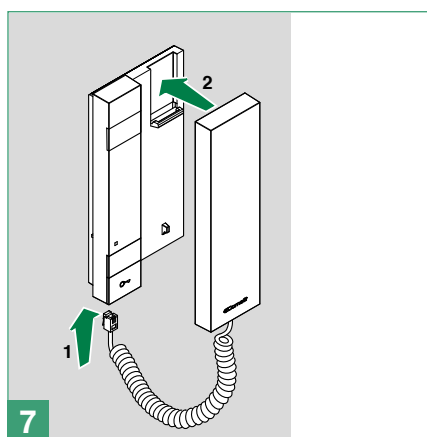
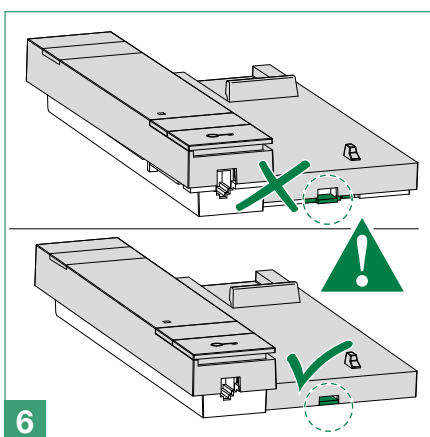
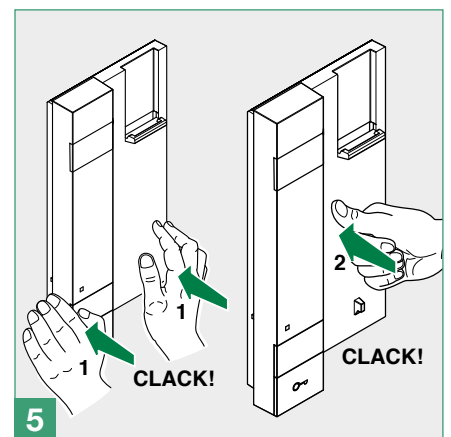
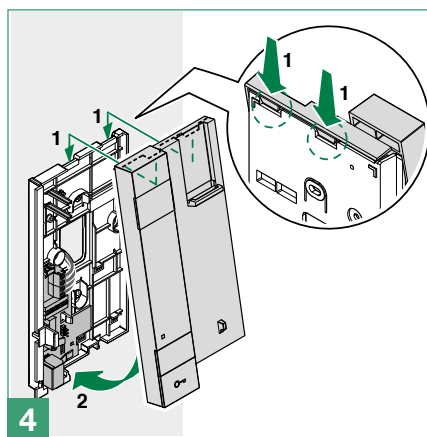
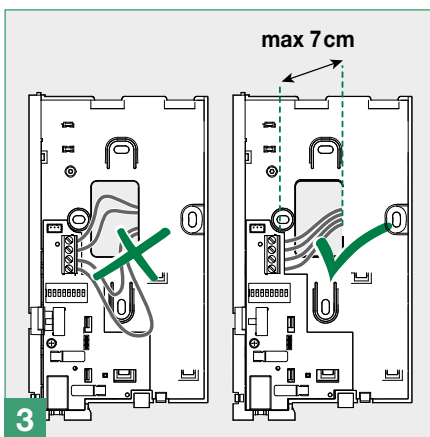
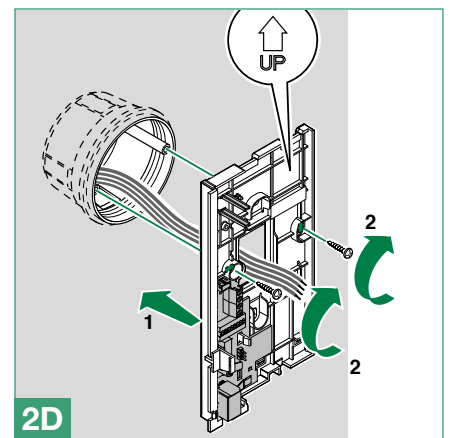
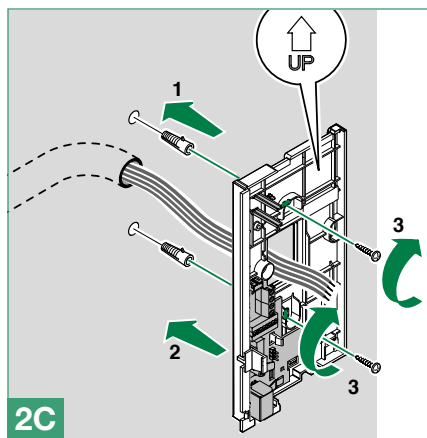
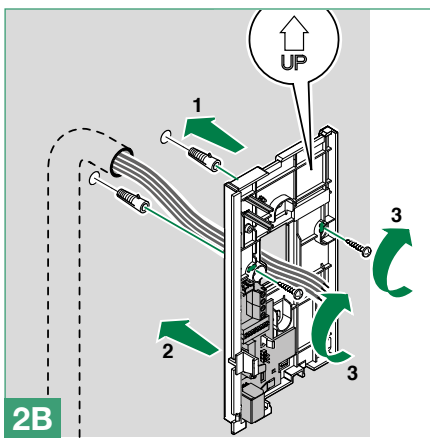
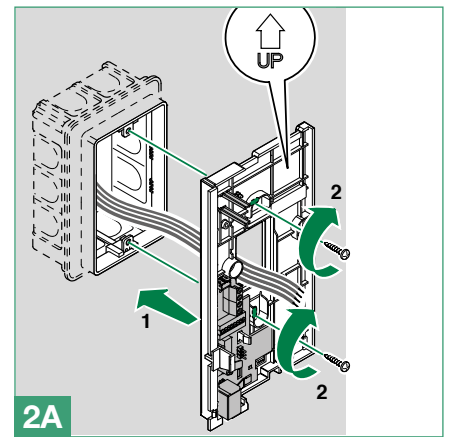
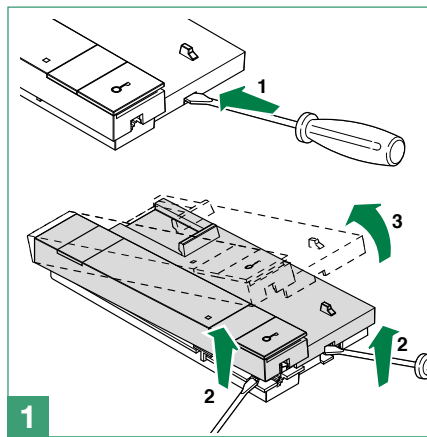
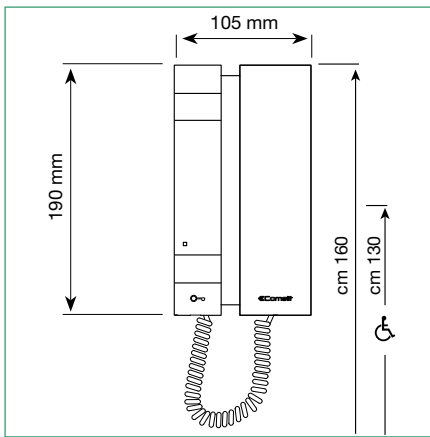
ENVIRONMENTAL AND CONFORMITY SPECIFICATIONS

Operating temperature (°C)	-5 to 40
Operating humidity (max RH - %)	25 to 75
Environmental class	III
Conformity and Certifications	RoHS II - 2011/65/EU (EN 50581:2012), EMC 2014/30/EU (EN 61000-6-1:2007, EN 61000-6-3:2007+A1:2011)

MAIN FUNCTIONS

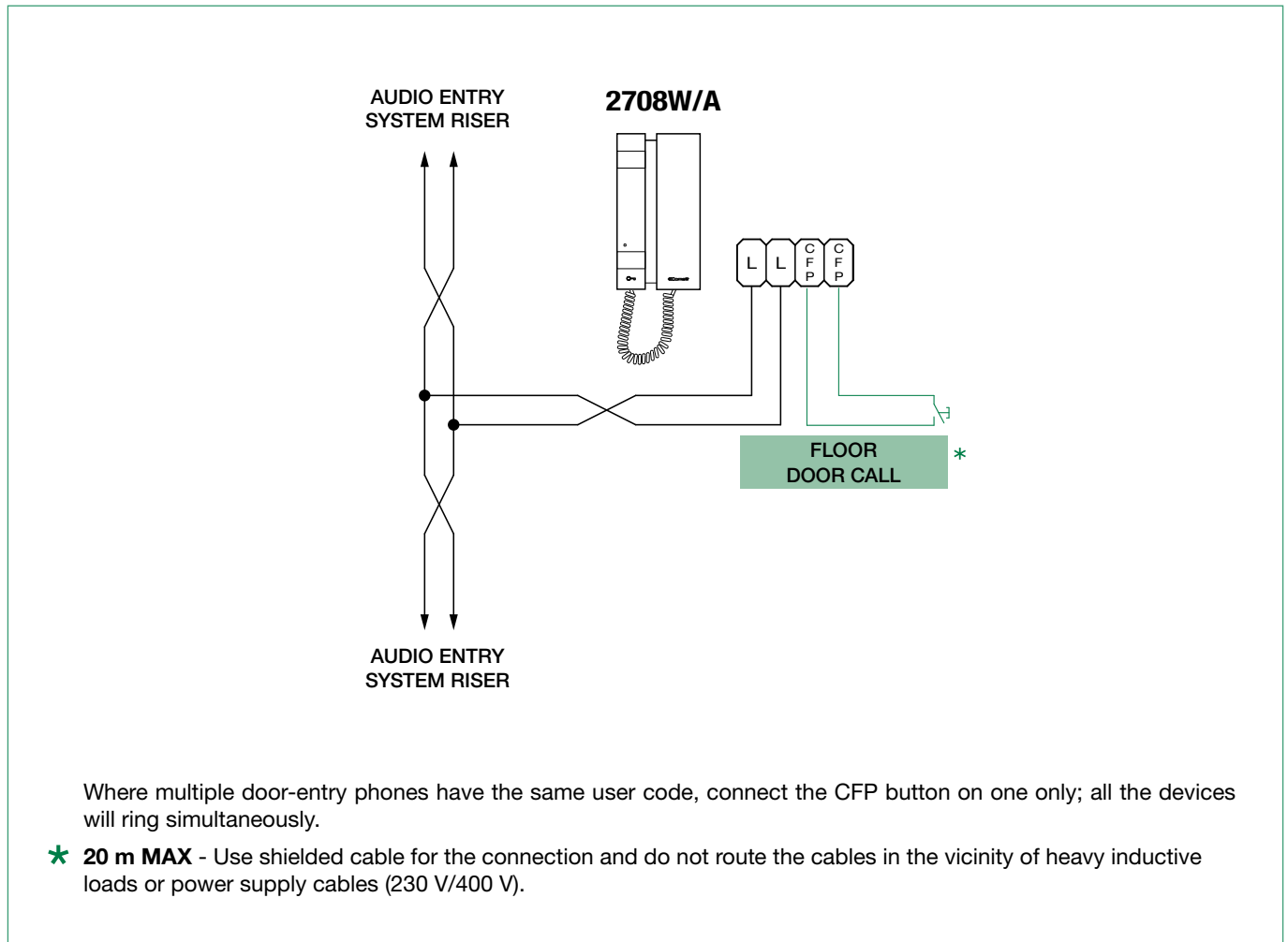
Lock-release	Yes
Actuator control	Yes
Switchboard call	Yes
Input for floor door call	Yes
Silent mode (Privacy)	Yes
Call repetition	Yes, with additional board art. 2735 (not included)

Installation



Connections

Connection to the door entry riser and the floor door call button



Programming

- Each door-entry phone in the system is identified by means of its own code. This code must be set using the DIP-switch on the phone card.
- Refer to the *Addressing table* to identify the DIP-switch combination corresponding to the address you want to set.
- Coding can take place at any time, even without a power supply.

Addressing table

Code	DIP switch ON														
1	1	31	1,2,3,4,5	61	1,3,4,5,6	91	1,2,4,5,7	121	1,4,5,6,7	151	1,2,3,5,8	181	1,3,5,6,8	211	1,2,5,7,8
2	2	32	6	62	2,3,4,5,6	92	3,4,5,7	122	2,4,5,6,7	152	4,5,8	182	2,3,5,6,8	212	3,5,7,8
3	1.2	33	1.6	63	1,2,3,4,5,6	93	1,3,4,5,7	123	1,2,4,5,6,7	153	1,4,5,8	183	1,2,3,5,6,8	213	1,3,5,7,8
4	3	34	2.6	64	7	94	2,3,4,5,7	124	3,4,5,6,7	154	2,4,5,8	184	4,5,6,8	214	2,3,5,7,8
5	1.3	35	1,2,6	65	1.7	95	1,2,3,4,5,7	125	1,3,4,5,6,7	155	1,2,4,5,8	185	1,4,5,6,8	215	1,2,3,5,7,8
6	2.3	36	3.6	66	2.7	96	6.7	126	2,3,4,5,6,7	156	3,4,5,8	186	2,4,5,6,8	216	4,5,7,8
7	1,2,3	37	1,3,6	67	1,2,7	97	1,6,7	127	1,2,3,4,5,6,7	157	1,3,4,5,8	187	1,2,4,5,6,8	217	1,4,5,7,8
8	4	38	2,3,6	68	3.7	98	2,6,7	128	8	158	2,3,4,5,8	188	3,4,5,6,8	218	2,4,5,7,8
9	1.4	39	1,2,3,6	69	1,3,7	99	1,2,6,7	129	1.8	159	1,2,3,4,5,8	189	1,3,4,5,6,8	219	1,2,4,5,7,8
10	2.4	40	4.6	70	2,3,7	100	3,6,7	130	2.8	160	6.8	190	2,3,4,5,6,8	220	3,4,5,7,8
11	1,2,4	41	1,4,6	71	1,2,3,7	101	1,3,6,7	131	1,2,8	161	1,6,8	191	1,2,3,4,5,6,8	221	1,3,4,5,7,8
12	3.4	42	2,4,6	72	4.7	102	2,3,6,7	132	3.8	162	2,6,8	192	7.8	222	2,3,4,5,7,8
13	1,3,4	43	1,2,4,6	73	1,4,7	103	1,2,3,6,7	133	1,3,8	163	1,2,6,8	193	1,7,8	223	1,2,3,4,5,7,8
14	2,3,4	44	3,4,6	74	2,4,7	104	4,6,7	134	2,3,8	164	3,6,8	194	2,7,8	224	6,7,8
15	1,2,3,4	45	1,3,4,6	75	1,2,4,7	105	1,4,6,7	135	1,2,3,8	165	1,3,6,8	195	1,2,7,8	225	1,6,7,8
16	5	46	2,3,4,6	76	3,4,7	106	2,4,6,7	136	4.8	166	2,3,6,8	196	3,7,8	226	2,6,7,8
17	1.5	47	1,2,3,4,6	77	1,3,4,7	107	1,2,4,6,7	137	1,4,8	167	1,2,3,6,8	197	1,3,7,8	227	1,2,6,7,8
18	2.5	48	5.6	78	2,3,4,7	108	3,4,6,7	138	2,4,8	168	4,6,8	198	2,3,7,8	228	3,6,7,8
19	1,2,5	49	1,5,6	79	1,2,3,4,7	109	1,3,4,6,7	139	1,2,4,8	169	1,4,6,8	199	1,2,3,7,8	229	1,3,6,7,8
20	3.5	50	2,5,6	80	5.7	110	2,3,4,6,7	140	3,4,8	170	2,4,6,8	200	4,7,8	230	2,3,6,7,8
21	1,3,5	51	1,2,5,6	81	1,5,7	111	1,2,3,4,6,7	141	1,3,4,8	171	1,2,4,6,8	201	1,4,7,8	231	1,2,3,6,7,8
22	2,3,5	52	3,5,6	82	2,5,7	112	5.6,7	142	2,3,4,8	172	3,4,6,8	202	2,4,7,8	232	4,6,7,8
23	1,2,3,5	53	1,3,5,6	83	1,2,5,7	113	1,5,6,7	143	1,2,3,4,8	173	1,3,4,6,8	203	1,2,4,7,8	233	1,4,6,7,8
24	4.5	54	2,3,5,6	84	3,5,7	114	2,5,6,7	144	5.8	174	2,3,4,6,8	204	3,4,7,8	234	2,4,6,7,8
25	1,4,5	55	1,2,3,5,6	85	1,3,5,7	115	1,2,5,6,7	145	1,5,8	175	1,2,3,4,6,8	205	1,3,4,7,8	235	1,2,4,6,7,8
26	2,4,5	56	4,5,6	86	2,3,5,7	116	3,5,6,7	146	2,5,8	176	5,6,8	206	2,3,4,7,8	236	3,4,6,7,8
27	1,2,4,5	57	1,4,5,6	87	1,2,3,5,7	117	1,3,5,6,7	147	1,2,5,8	177	1,5,6,8	207	1,2,3,4,7,8	237	1,3,4,6,7,8
28	3,4,5	58	2,4,5,6	88	4,5,7	118	2,3,5,6,7	148	3,5,8	178	2,5,6,8	208	5,7,8	238	2,3,4,6,7,8
29	1,3,4,5	59	1,2,4,5,6	89	1,4,5,7	119	1,2,3,5,6,7	149	1,3,5,8	179	1,2,5,6,8	209	1,5,7,8	239	1,2,3,4,6,7,8
30	2,3,4,5	60	3,4,5,6	90	2,4,5,7	120	4,5,6,7	150	2,3,5,8	180	3,5,6,8	210	2,5,7,8	*240	5,6,7,8

* NOTE: Code 240 is reserved for the porter switchboard

System performance and layouts

For further information of system performance and to view installation layouts, click on the system type that best meets your requirements:

- [Simplebus1 Audio](#) for the creation of audio systems for residential complexes

CERTIFIED MANAGEMENT SYSTEMS



 **Comelit**[®]
Passion. Technology. Design.

www.comelitgroup.com

Via Don Arrigoni, 5 - 24020 Rovetta (BG) - Italy

1 ed. 1 rev. 12/2020
cod. 2G40002508