



---

**Model: MSC Series**

**Solid Stainless Steel  
Vandal Resistant & Weatherproof  
Digital Day/Night Bullet Camera**

**User Manual**

---



Before installing and using the camera please read this User Manual carefully, and retain it in a safe place for future reference.

**CAUTION:** TO REDUCE THE RISK OF ELECTRIC SHOCK DO NOT DISMANTLE THE CAMERA. THERE ARE NO USER-SERVICEABLE PARTS INSIDE. REFER SERVICING ONLY TO QUALIFIED SERVICE PERSONNEL.

---



This lightning flash with an arrowhead symbol within an equilateral triangle is intended to alert the user to the presence of un-insulated dangerous voltage within the product's enclosure that may be of sufficient magnitude to constitute a risk of electric shock to persons.



The exclamation point within an equilateral triangle is intended to alert the user to the presence of important operating and maintenance (servicing) instructions in the literature accompanying the product.

---

**FCC WARNING :** This equipment may generate or use radio frequency energy. Changes or modifications to this equipment may cause harmful interference unless the modifications are expressly approved in the instruction manual. The user could lose the authority to operate this equipment if any unauthorised changes or modifications are made.

**REGULATORY INFORMATION:** FCC Part 15 This equipment has been tested and found to comply with the limits for a Class A digital device, pursuant to Part 15 of the FCC Rules. These limits are designed to provide reasonable protection against harmful interference when the equipment is operated in a commercial environment. This equipment generates, uses, and can radiate radio frequency energy and, if not installed and used in accordance with the instruction manual, may cause harmful interference to radio communications. Operation of this equipment in a residential area is likely to cause harmful interference, in which case the user will be required to correct the interference at their own expense.

## Warnings

---

### **This camera requires periodic inspection**

Contact an authorised technician to carry out the inspection.

### **Stop using the camera if it's found to be malfunctioning**

If the camera emits smoke, or is unusually hot for an extended period of time, a fire may be caused.

### **Do not Install the camera on a surface that cannot support it**

If the camera is installed on an inappropriate surface, it may fall and cause injury.

### **Do not hold the electrical plug with wet hands.**

It could cause an electric shock.

### **Do not disassemble the camera.**

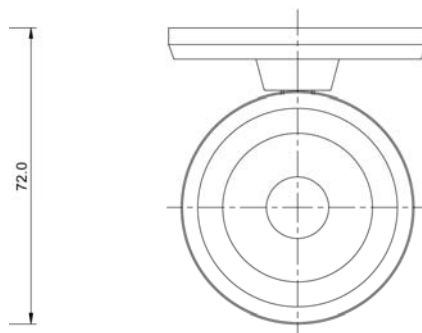
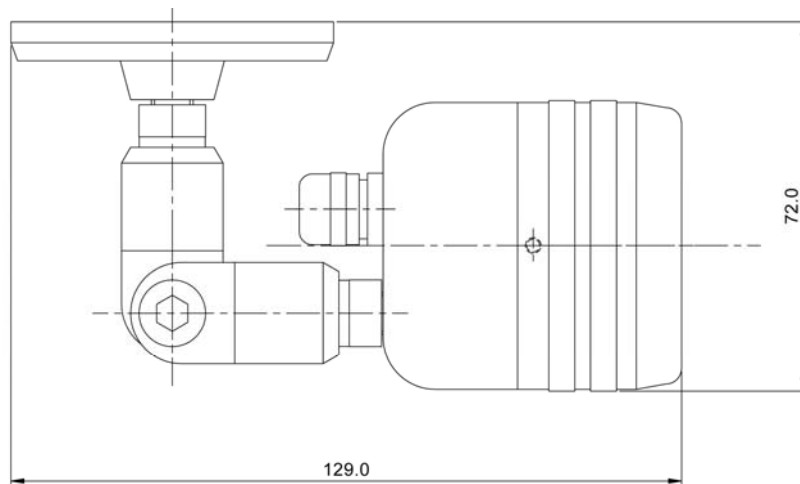
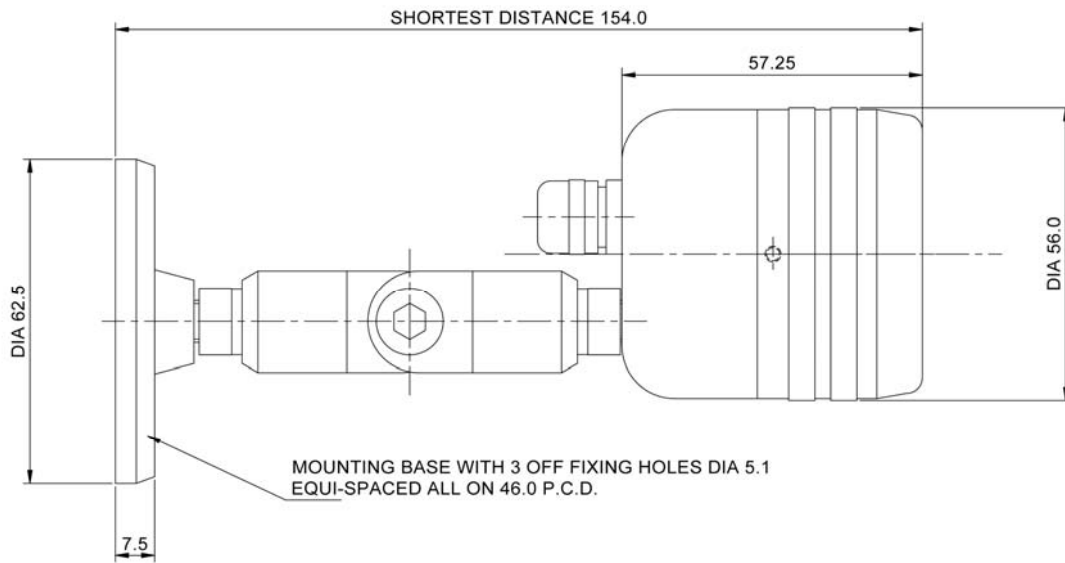
It may result in an electric shock or other hazards.

#### **Note**

If the camera is exposed to spotlight or other objects reflecting strong light, smearing or blooming may occur.

Please check that the power satisfies the normal specification before connecting the camera.

# Dimensional Drawings



## Features

---

- ◆ The Genie MSC camera is constructed from 316 Grade Stainless Steel, which is generally regarded as the standard for “marine grade stainless steel” due to its ability to withstand corrosive elements and its high tensile strength. It is ideally suited for marine and coastal applications, food processing facilities, breweries and chemical and petrochemical establishments.
- ◆ A complete range of mounting options are available with the fully flexible camera bracket which is also manufactured from Grade 316 stainless steel.
- ◆ The MSC fully conforms to BS EN 60945:2002, enabling it to be safely used with maritime navigation and radio communication equipment and systems.
- ◆ Furthermore, the camera has an ingress protection level of IP68. All product testing and certification is by a UKAS approved test laboratory.
- ◆ High resolution 540TV Line Digital Day/Night CCD image sensor with Hitachi Digital Signal Processor (DSP).
- ◆ Digital Noise Reduction (DNR) technology which significantly reduces the amount of noise at low luminance levels and increases the Signal to Noise ratio and vertical resolution.

## Installation

---

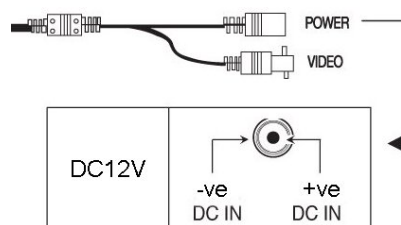
The MSC camera is an extremely simple product to install. All that’s required is to fix the camera bracket to a strong surface using stainless steel fasteners - three size 10,1.5-inch screws are included with this purchase - and adjust the camera viewing angle.

Unscrew the camera from the bracket. Use the bracket as a template for marking the three required fixing holes. Fix the camera using either the provided screws, or other suitable stainless steel fasteners.

Re-assemble the camera to the bracket. Do not fully tighten the bolts.

Connect the camera power lead to a suitable DC12V power supply unit, such as the Genie PSU1SM, using the 2.1mm power plug.

Connect the video BNC to the cable being used to monitor or record the camera output.



Once the power and video are “live”, it’s now possible to check the camera’s orientation and viewing angle. Make adjustments using the bracket knuckle joint and camera joint. Fully tighten the knuckle joint, camera joint and bracket joint bolts.

## Specification

Item	
O qf griP wo dgt	.....O UE "Ugtlgu
Sensor	Sony 1/3" Super HAD High Resolution CCD
Effective Pixels	752 (H) x 582 (V)
Scanning System	2:1 Interlaced
Synchronisation	Internal
Horizontal Frequency	15.625KHz
Vertical Frequency	50Hz
Resolution	540 TV Lines
Video Out	1.0V p-p 75Ω
Burst Level	0.286V p-p
Signal to Noise Ratio	50dB (minimum) AGC Off
Digital Noise Reduction (DNR)	On
Frame Integration	x32 Automatic
Minimum Illumination	0.25 Lux in Colour (f1.4, 20IRE)
Day/Night Operation	Automatic
Gamma Correction	0.45
Automatic Gain Control (AGC)	+18dB Maximum
White Balance	Automatic, ATW
Backlight Compensation	On
Iris Control	Electronic Iris
Shutter Speed	1/50 ~ 1/120,000 sec.
Blemish	Automatic Compensation using DNR
Lens	3.6mm (options: 2.97, 4.3, 6, 8 & 12mm)
Power Supply	DC12V ± 10%
Power Consumption	150mA Maximum
IP Rating	IP68
EMC	BS-EN 60945
Operating Temperature	-10°C ~ +50°C
Storage Temperature	-20°C ~ +60°C
Operating Humidity	90% RH Maximum
Dimensions	57.25mm x Ø 56mm, Excluding Bracket
Weight in Grams	975g

## Trouble Shooting

---

If you have trouble operating your MSC camera, refer to the following table. Should these guidelines not enable you to solve the problem, contact your distributor or an authorised technician.

### **Nothing appears on the monitor.**

- Check the power connections and that the polarity is correct.
- Check the VIDEO signal line connection.

### **The image on the monitor is not clear.**

- Make sure the lens is clean. Clean the lens glass with a soft clean lint free cloth.
- Adjust the monitor contrast & brightness controls.
- Re-position the camera if necessary.

### **The image on the monitor is too dark.**

- Adjust the contrast control of the monitor.
- If there is an intermediate device, set the  $75\Omega$  / Hi-z correctly.

### **The camera isn't working properly, or the surface of the camera is very hot.**

- Check that an appropriate power source is connected to the camera. It must be a regulated DC12V power source, for example the **Genie PSU1SM**.



Genie CCTV Limited, CCTV House, City Park, Watchmead, Welwyn Garden City,  
Hertfordshire AL7 1LT

Tel: +44(0)1707 330541 Fax: +44(0)1707 330543

[www.geniecctv.com](http://www.geniecctv.com) [info@geniecctv.com](mailto:info@geniecctv.com)