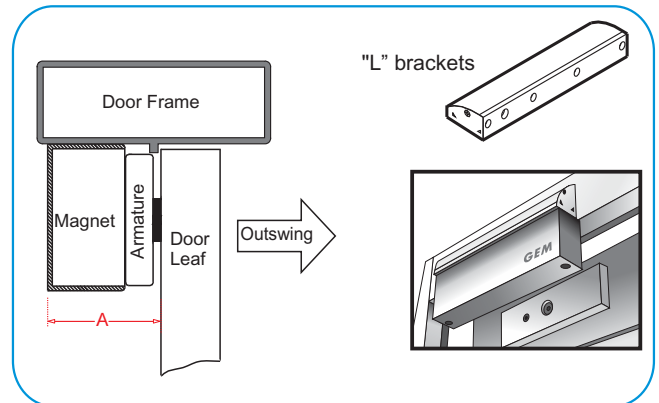
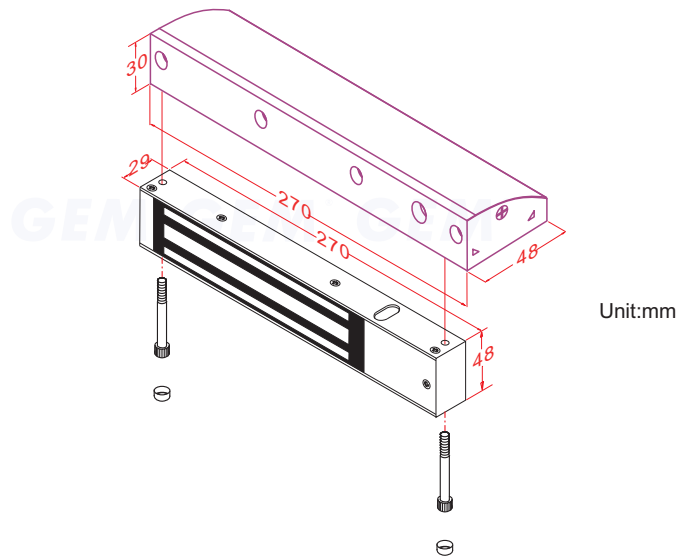


The A value in the table below shows the minimum requirement distance of the door frame for different electromagnetic lock model.

Magnet Grade	A Value	Optional Brackets
300 LBS	38 mm	L-150, L-EM150...
600 LBS	42 mm	L-300, L-10001ST...
● 800 LBS	48 mm	L-750, L-350, L-400...
1200 LBS	60 mm	L-500, L-600...



Application for the Electromagnet:  
EM-350 Series



### Installation of L bracket on Outswing Doors

- Fold the mounting template 90° angle along the dotted line.
- Drill the holes marked on the template.
- ③ Hollow Metal Door**  
8mm 16mm  
Drill a hole 8 mm in diameter through the door. Enlarge the hole to 16 mm from outside.

**Reinforced Door**  
6.8mm for M8-1.25 thread  
Drill a hole 6.8mm in diameter from inside. Screw with a M8-1.25 thread.

**Solid Door**  
36mm  
8mm 12.7mm  
Drill a hole 8 mm in diameter through the door. Enlarge the hole to 12.7mm from outside. The thickness of the door is 36mm.
- Assemble the electromagnet and L bracket with an Allen wrench.
- Turn on the power of electromagnet. Let the electromagnet and the armature plate bond together. Press L bracket against the door frame.
- Fasten L bracket on the door frame.
- Finish  
Test the unit. Tap the plugs into the electromagnet.

### GIANNI INDUSTRIES, INC.