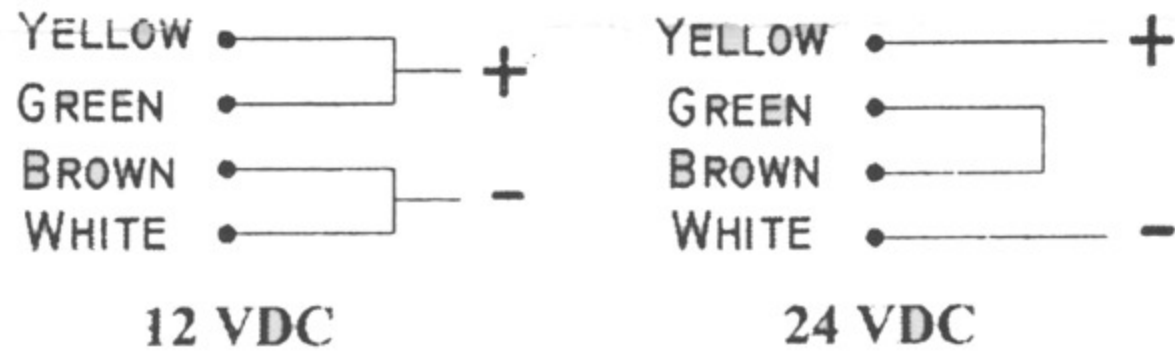
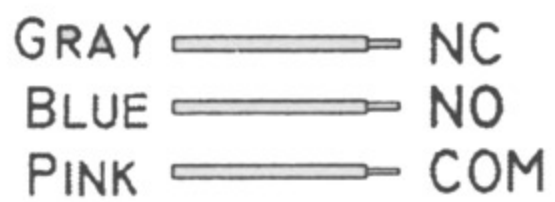


# WIRING INSTRUCTIONS

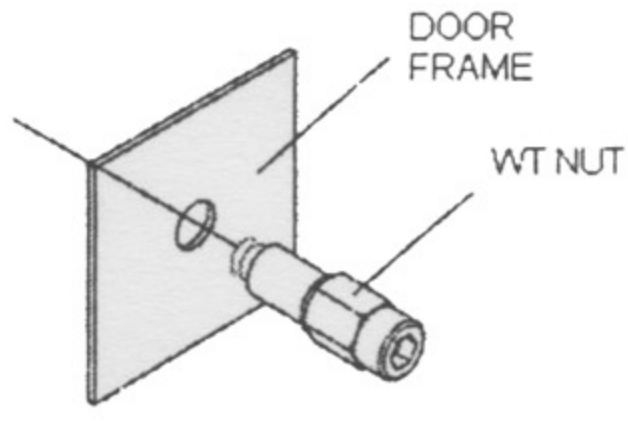
**IMPORTANT!**  
Before the power supply is switched on,  
set the wiring correctly.



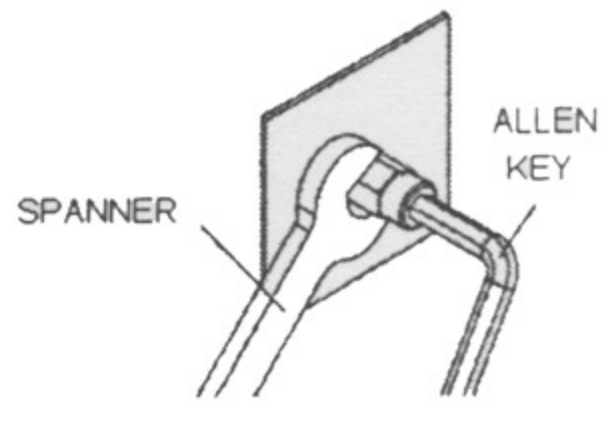
## REED SENSOR CONTACT



## CRIMP NUT (POP NUT) INSTALLATION DIAGRAM



1. Drill  $\varnothing 9.4$  hole and insert the M6 Crimp Nut (Pop Nut) with WT Nut.



2. Use the allen key with spanner and slowly tighten the Crimp Nut (Pop Nut). Remove the WT Nut after install.

