

Use of SRS AN7577 telephone handset

When phone rings

Pick up receiver

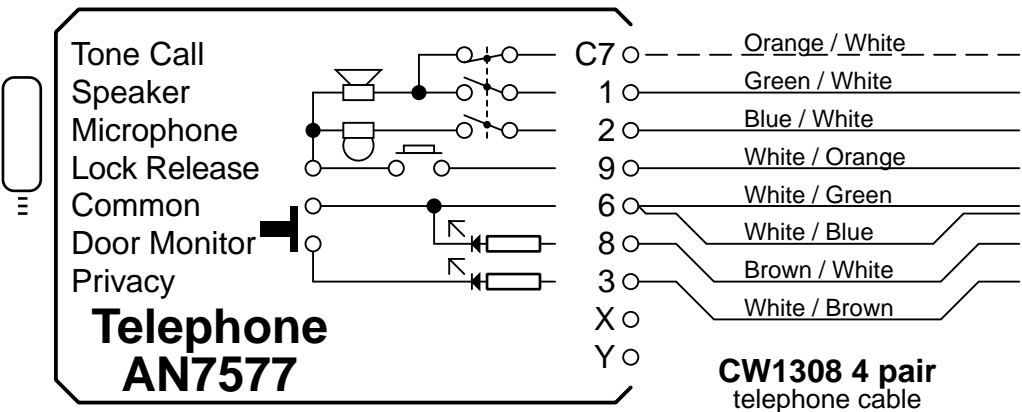
establish callers identification

Press lock release button, to let the caller in

Red LED indicates main door is open

Green LED indicates telephone ringer switched off

Press bell button to disable / enable telephone ringer



Special phone has 2 extra connections

Connect terminal 8 to 12V DC. This should be switched on when the door is open

Connect terminal 3 to permanent 12V DC supply for lighting the Privacy LED on the telephone