



Lock release	Microphone	Speaker	Common -ve	Buzzer	Tone call
5	1	7	2	9	
2	1	5	4	3	
Z	R	T	O	I	
P1	3	2	4		S
P1	3	2	4	1	
3	P	L	B	A	
5	1	2	3	6	
1	2	5	3	4	
1	M	T	O	S	
T	1	2	3	6	
P	M	R	L	B	
9	2	1	6	7	
5	1	2	7/3	6	
9	2	1	6	11	C7
9	2	1	6		C7

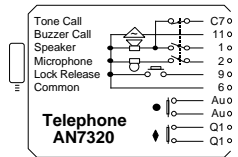
SRS Cross reference to popular telephone handsets

The information supplied is correct to the best of our knowledge and is supplied without any warranty or liability whatsoever.

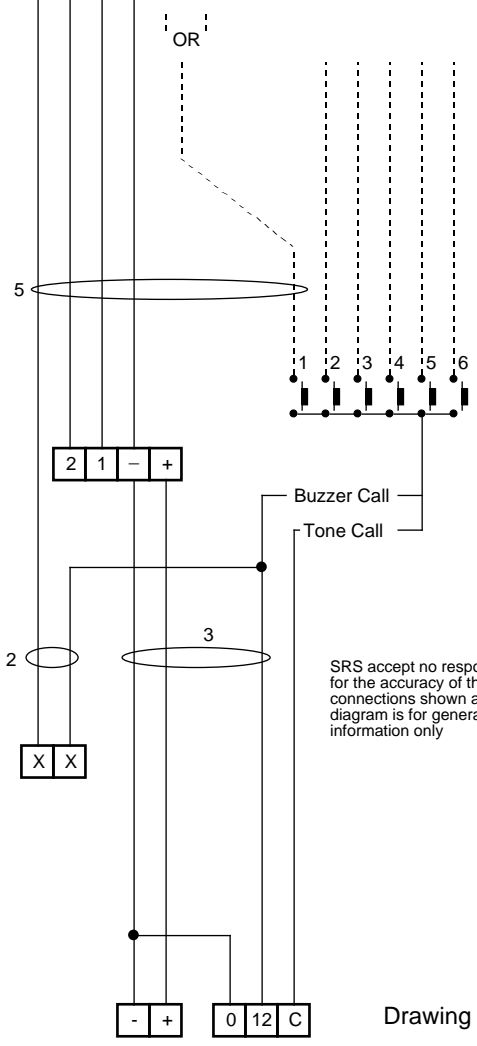
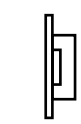
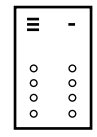
SRS AN7320 phone is universal. Terminal 1/2 can be used in place of terminal 1 if you encounter feedback



- white, wall mount
- 2 spare buttons
- electret microphone
- 5 wire connection
- call up to 4 phones simultaneously



DESCRIPTION	CODE
telephone handset	AN7320
desk mount kit	AN8062



SRS accept no responsibility for the accuracy of the connections shown and this diagram is for general information only

Drawing : 1D\_nH1EX