

IN5127 20050902

SRS Timers & Relays - installation instructions

5126 - 5127M - 9327

TIMER ADJUSTMENT

The timer can be adjusted between 0 and 60 seconds duration. The timer once triggered will not accept another trigger signal until it has timed out. If the trigger signal is present for longer than the set time the unit will trigger again after timing out.

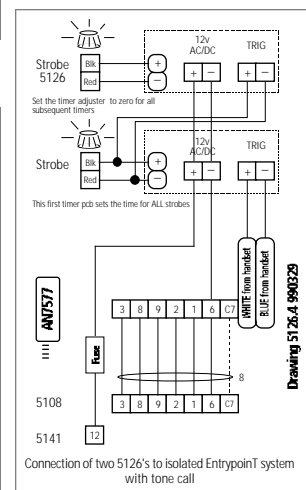
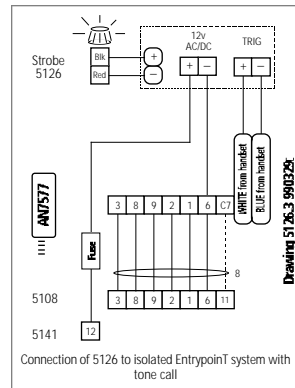
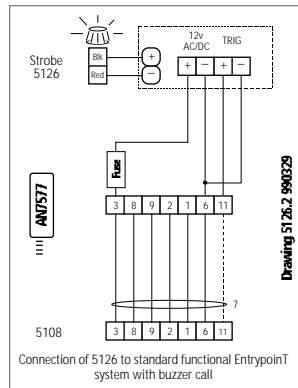
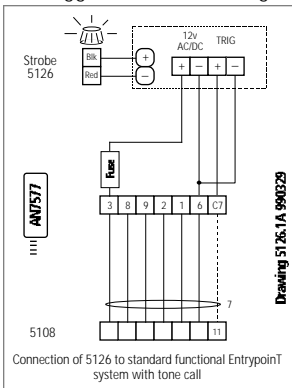
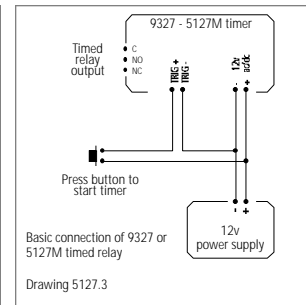
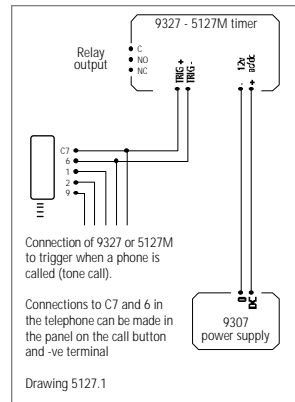
TRIGGER CONNECTION

The trigger terminals will trig-

ger the timer from many dc and ac sources. Both terminals must be connected to the circuit for the timer to operate. If the trigger signal is a switched -ve then the +TRIG must be connected to a +ve power source and visa versa (if the trigger signal is +ve).

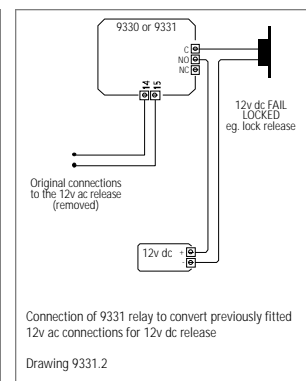
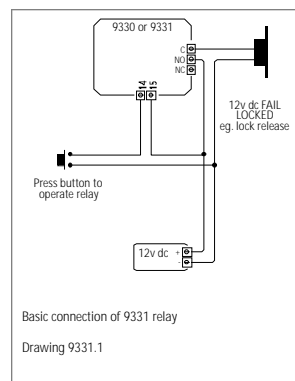
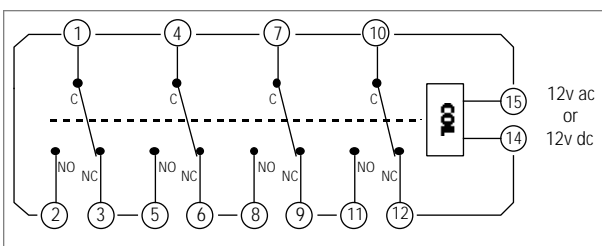
Green LED indicates that the relay is energised.

This unit may be connected to low voltage power supplies. Red LED indicates that voltage is present.



9330 - 9331 - 9334

The 9330 (4 pole) and 9331 (2 pole) relays can be energised from 12 V AC or 12 V DC sources



General

EC COMPLIANCE

This item has been classified as a 'component' and is not within the scope of the EMC directive 89/336/EEC.

TECHNICAL DATA

Dimensions (HWD) 130 x 100 x 68 (boxed units)
 Temperature -5 ~ +50°C

WARRANTY

The unit is supplied with 12 months warranty against defects in manufacture.

		SUPPLY / COIL VOLTAGE	RELAY RATING	TIMER
5126	Strobe timer	12 AC / DC		1 - 60 s
5127M	Timed Relay	12 AC / DC	1A - 12V	1 - 60 s
9327	Timed Relay	12 AC / DC	1A - 12V	1 - 60 s
9331	2 pole relay	12 AC / DC	5A - 12V	
9334	2 pole relay	12 AC / DC	5A - 12V	
9330	4 pole relay	12 AC / DC	5A - 12V	