

4000 Series video door entry 9008V2 Installation Instructions

1 Getting started

Thank you for choosing SRS.

If you are installing this system with one entrance panel continue to step 2. If however you are installing more than one entrance please follow the instructions (IN9432) supplied with the multi entrance relay box.

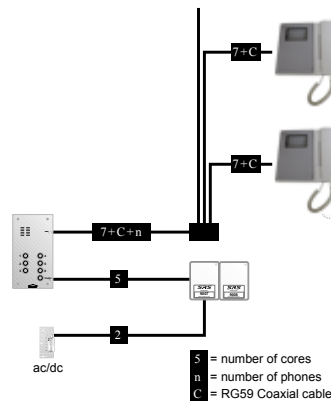
2 Install the cables

Use CW1308 (BT spec.) twisted paired and RG59 coaxial cable.

See cable layout fig. 1.

Any cable joint is potentially a cause of connection faults, it is therefore prudent to keep junctions to a minimum. For this reason we recommend making connections at the panel (max. 3 tele-phones) or at ONE point in the riser (usually adjacent to the power supply).

fig. 1 video layout



If the installation is for a single apartment (with 1 monitor), or a block of apartments on a single riser (with 1 monitor per apartment) AN0606 video distributor is not necessary. However for all other installations it is recommended that the distributor is fitted. See fig. 4.

Alternative diagrams & data sheets are available. Visit www.doentrydirect.com.

- 2D 1M1E 1 entrance system with 1 video phones
- 2D 2M1E 1 entrance system with 2 video phones (simultaneous call)
- 2D nM1E 1 entrance system with n video phones
- 2D nM2E 2 entrance system with n video phones
- 2D nMnE n entrance system with n video phones

3 Install the video phones

The video phones should be connected according to the diagram over-leaf. Ignore the dashed wires if additional features are not required. If additional video phones are required to be called simultaneously, please refer to Fig. 3.

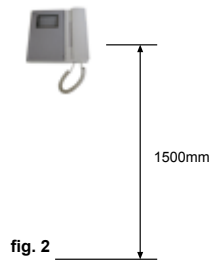


fig. 2

4 Install the entrance panel

Please refer to the instructions (IN4000) supplied with the door entry panel.

5 Operation

The video door entry system functions as follows. Upon pressing one of the external buttons the corresponding video phone sounds (only when on hook), the screen will light and display the image from the camera. When the called phone handset is picked up, contact is established and conversation may take place. In order to operate the electric lock the push button marked by a key symbol should be fully depressed.

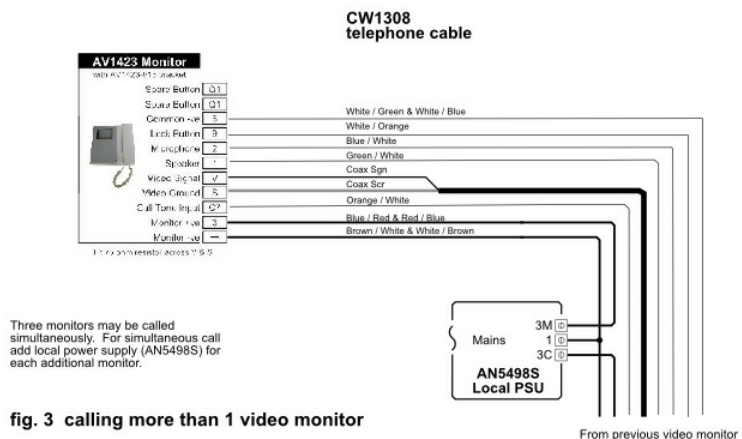
The picture will stay lit for a preset period (5 seconds to 2 minutes) adjustable at the 9008V2 PSU.

9307 functions

The 9307.1 power supply unit (PSU) has 12V DC, 12V AC, and tone outputs. 9307.2 lock release timer has relay output.

When the lock release button on the phone is pressed, terminal 9 and 6 (at the phone) are shorted, causing the lock release timer to start which in turn changes the state of the relay. The time can be adjusted between 1 - 40 seconds (approx.).

The 12v ac (AC) and 12v dc (DC) terminals may be used to power lock releases up to 0.5 Amps.



Three monitors may be called simultaneously. For simultaneous call add local power supply (AN5498S) for each additional monitor.

fig. 3 calling more than 1 video monitor

CW1308 telephone cable

CE requirements

This product was tested for compliance with EC directive 89/336/EEC with the panel connected to Mains Earth.

Always ensure that external metal parts are independently connected to mains protective earth to avoid electrical shock hazard.

Remember

Always fit the lock suppressor supplied, SRS 'TZ'. This device must be connect - ed to *all* electric locks and electric releases. Fit directly across the lock terminals.

Trouble shooting

The first rule of trouble shooting is to make your system as simple as possible. ie. remove any non-essential connections.

No picture (the monitor lights up)

- Check for 12V DC at the camera
- Check video signal
- Check correct connection of video distributor if used

No picture (monitor won't light up)

- In order for the monitor to light it must be called and get 18V DC from the PSU.
- Check for a call tone at the monitor
- Check for 18V DC on R1 (-ve) & R2 (+ve), both at the PSU and more importantly, at the monitor.

Poor picture

- Failure to fit end of line 75Ω resistors.
For systems without video distributor (AN0606) ONE resistor should be fitted across S & V of the last monitor.
For systems with video distributor ONE resistor should be fitted across S & V of the last monitor for each output (5 in total if one distributor fitted).
- Low power to the video monitor.
Check for 18 volts between 1 and 3 (+ve) at the monitor when the monitor has been called. If the voltage is less than 15 volts then picture quality will be poor. In this case check for overall load (max 1 amp) and cross sectional area of the R1 & R2 wires from 9008V2.

High pitched screech:

- Excessive amplification (volume requires adjustment)
- Unhooked handset hanging down & facing wall
- Short circuit on wires 1 & 2
- Incorrect cable used
- Poor alignment of microphone to hole in front plate.

No speech

- Check for short circuits and/or breaks on wires 1 & 2.
- Check 12V dc at speaker unit

Lock release will not trigger

- Check lock connections
- Remove cable(s) from 9 at the 9307.2 (timer). Trigger input with egress button. If this corrects the fault, check wire 9 to telephone.
- With a meter check lock relay output is changing state.

fig. 4 connection of video distributor

