

4K-1S/GSM



4K/GSM SERIES AUDIOKIT

This range, of the 4000 series have been designed to operate using mobile phone technology with minimal installation time required. The system operates as follows:

- The visitor presses a button on the door panel to initiate a call.
- The door panel then dials the telephone number stored using the GSM network.
- If the call is answered, speech and services will be available such as door/gate release.

The Kit enables a call to be made from an entry point (door, gate, remote site or help point) to any telephone number (mobile or land line). The door panel is available with 1 or 2 call buttons (Expandable up to 50) each able to call two pre programmed telephone numbers (if the first is busy or not answered, the call will divert to the second). Programming of telephone numbers and additional features is carried out via text messaging or PC software. Additional access control features are also available, allowing a number of callers to open the gate/door simply by dialling the telephone number of the intercom panel (the intercom will not answer these calls but will activate the relay output at no charge to the caller).

A SIM card is required for this product (NOT SUPPLIED). It is recommended to choose the SIM card which has best coverage for the area in which the intercom panel will be installed. Both contract and "Pay as you go" SIM cards can be used, if using "Pay as you go" we would recommend setting up an automatic top up to avoid loosing the use of the intercom panel through running short of credit. Features of the system include a dry contact relay output, open collector auxiliary output, push to exit input and switched 0V auxiliary input.

4K-1/GSM

1 Outdoor station including a one call button gsm speaker unit Art.4810N-1 and a flush mounting box with module support and hinge Art.4851. Standard finishes: mirror stainless steel for the front plate and gun metal grey for the module support.

1 Art.432 GSM Aerial comprised of connection cable and wall fix support plate.

1 Art.AMR2-12 12Vdc power supply in a type A 2 module DIN box
Packing: box 29.5x29x7cm total weight 1.6 Kg.

4K-2/GSM

As 4K-1/GSM but two button version with 2 call push button speaker unit Art.4810N-2.

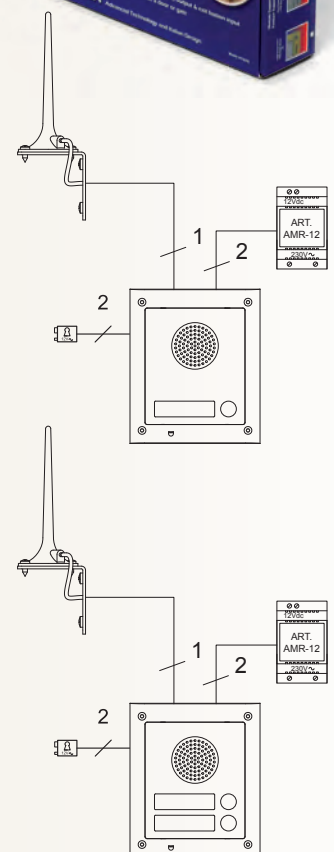
Packing: box 29.5x29x7cm total weight 1.6 Kg.

4K-1S/GSM 4K-2S/GSM

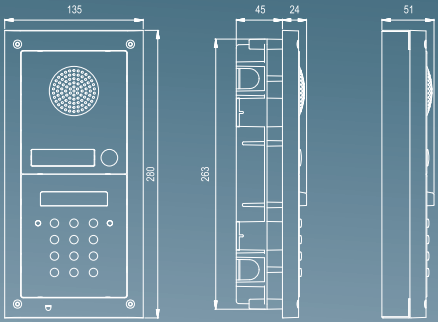
As door entry kits above but with surface mounting box Art.4881.

Packing: the same as the flush versions but with a total weight of 1.9 Kg.

The module support frame and the module front plate are available in other finishes, **see pictures 5 and 6 on page 29** for available versions and additional suffix to use for orders



DK4K-1S/GSM



2 push button panel
Posto esterno a 2 pulsanti

Flush
Incasso

Surface
Superficie



DK4K/GSM INTERCOM KIT

As 4K/GSM audio kit with the addition of a VIDEX code lock module Art.4800. This additional feature allows the user to open the door from outside by typing the relevant access code into the keypad.

DK4K-1/GSM

One button flush door entry kit comprising of:

1 Outdoor station including a one call button gsm speaker unit Art.4810-1, a digital code lock module Art.4800 (3 codes / 3 relay outputs with keypad illumination) and a two modules flush mounting box with module support and hinge Art.4852 Standard finishes: mirror stainless steel for the front plate and gun metal grey for the module support.

1 Art.432 GSM Aerial comprised of connection cable and wall fix support plate.

1 Art.AMR2-12 12Vdc power supply in a type A 2 module DIN box

Packing: box 29.5x29x7cm total weight 2.4 Kg.

DK4K-2/GSM

As DK4K-1/GSM but two button version with 2 call push button gsm speaker unit Art.4810-2.

Packing: box 29.5x29x7cm total weight 2.4 Kg

DK4K-1S/GSM DK4K-2S/GSM

As door entry kits above but with surface mounting box Art.4882.

Packing: the same as the flush versions but with a total weight of 2.8 Kg.

The module support frame and the module front plate are available in other finishes, **see pictures 5 and 6 on page 29** for available versions and additional suffix to use for orders.

